

GENERAL SPECIFICATIONS:

Tub Size 62.625" x 32.25" x 21"
Bathing Well length: 60.5" top / 49" bottom
 width: 29.625" top / 25.25" bottom
 depth at overflow: 17.5"
Soaker Weight 300 lbs / 136 kg
Maximum Fill 95 gal to overflow
Undermountable No

ELECTRICAL SPECIFICATIONS:

Required Electrical Service 110 Volt
Air Bath 1-15 amp GFCI

CSA Certified C/US; NAHB Certified; ANSI Z124.1.

NOTE: Filling this tub to the maximum may require an above average size or dedicated water heater.

NOTE: Not recommended as a tub / shower combination.

NOTE: In the diagrams below the dimensions on the left side of the slash (/) are for the standard Petra soaker without wood pedestal base. The dimensions to the right of the slash (/) are for the Petra with air bath and Petra soaker with optional wood pedestal base.

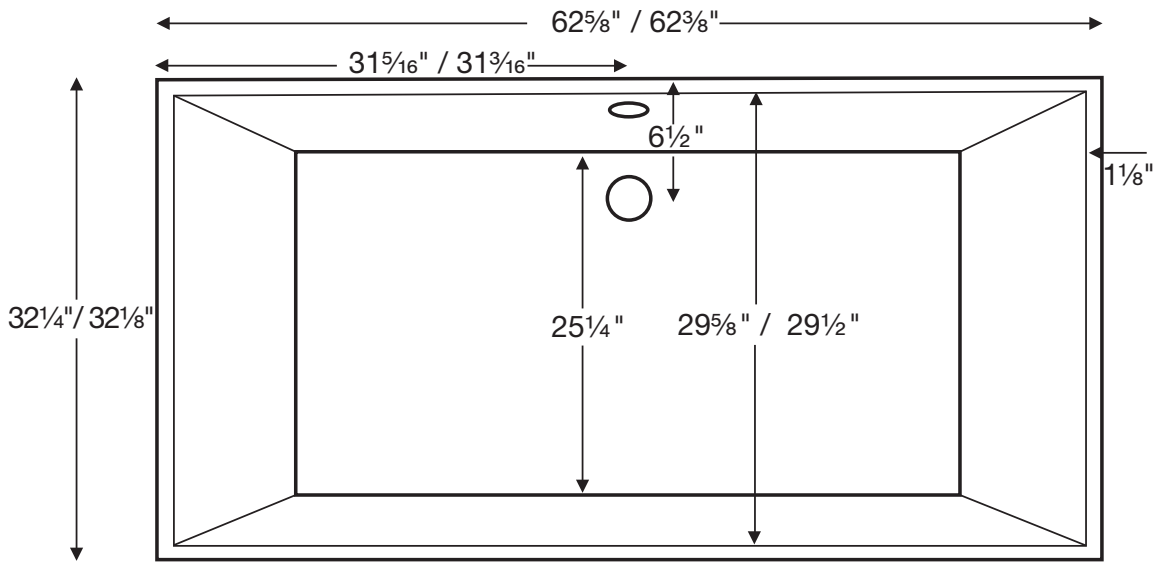
Petra MTCT-130

62.625" x 32.25" x 21"

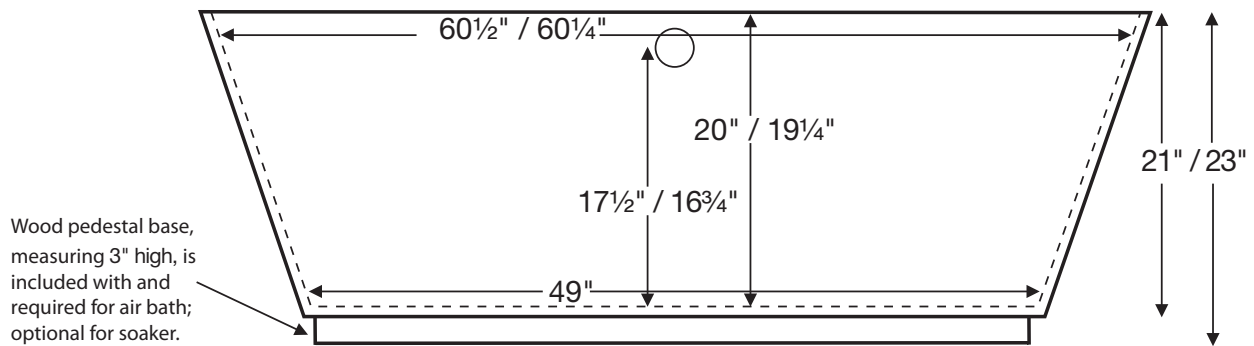
(Dimensions for standard soaker)



Freestanding Tub



All MTI freestanding tubs use wall-mounted or freestanding faucets.



Measurements are $\pm 1/2"$ and are subject to change without notice.
 Data herein supersedes all previous prior to publication date shown below.

