

SPECIFICATIONS



Input Voltage.....	208-240VAC Single Phase
Kilowatt Rating.....	15.0
Maximum Amperage.....	69 AMPS
Water Inlet.....	3/8" NPT Compression
Steam Outlet.....	1/2" NPT
Drain Pan.....	3/4" NPT
Safety Valve.....	3/4" NPT
Electrical Connection.....	Hardwired
 Maximum Room Size (cubic Feet).....	 500

PRO Series Standard Equipment:

- The only 100% networked digital technology in the industry (all other systems worldwide are old style analog).
- Lifetime Factory Warranty - 3 years in-home.
- SmartSteam - No irritating temp fluctuations - Perfect temp maintenance - Patented
- Fast Start – Steam in seconds not minutes - Patented
- Auto PowerFlush - Pressurized inner tank cleaning system, not a passive gravity drain.
- Stainless Steel drain pan.
- Stainless braided water flex connector.
- Pre-plumbed pop safety valve.
- 1/2" union to connect to steam line
- Constant steam at a constant rate - no cycling.
- Can be plumbed 50 ft. from the shower without upsizing the generator.
- Superior heating elements – low watt density.
- Stainless steel construction throughout.
- Power Connection Whip (Approx.45 in.)
- Split tank technology enhances performance and life-span.
- 50 foot keyed water tight data link cable for control.
- Plug & play with ThermaSol Serenity light & music system.
- Drain Pan included

Installation Notes:

Install this generator according to the supplied installation guide. Follow local plumbing and electrical codes. Unit must be accessible.

Generator is factory sized: L x W x H = Cubic Feet. Choose the appropriate generator. For every additional foot of ceiling height over 8 ft, use the next larger generator. Always round up when calculating the total cubic feet.

Compatible options:

- Signature Control Series
- Temp-Touch Series
- Easy Start Series
- Premium and Deluxe Packages
- Serenity Light and Music series
- Serenity Wireless Remote Series



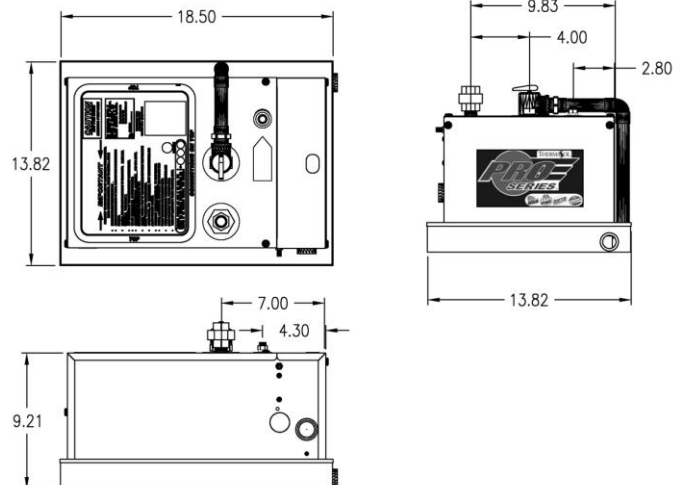
Product Specification:

The steam generator shall be approximately 18.5" x 13.75" x 12" in dimension. The generator shall be made from stainless steel and include: Smart Steam, Fast Start, Auto PowerFlush, Split Tank, and use a 100% networked digital technology.

Shipping Information:

Weight.....47 lbs.
Length.....18 in.
Width.....23 in.
Height.....14 in.

65



For any further assistance please contact ThermaSol at 800.776.0711 or sales@thermasol.com

Visit www.thermasol.com for a complete product definition