

# Rivera MTDS-120

60" x 36.25" x 21"

## GENERAL SPECIFICATIONS:

<b>Tub Size</b>	60" x 36.25" x 21"
<b>Bathing Well</b>	length: 51" top / 41.5" bottom width: 28" top / 24.25" bottom depth at overflow: 16"
<b>Soaker Weight</b>	85 lbs / 38.55 kg
<b>Maximum Fill</b>	72 gal to overflow
<b>Undermountable</b>	No

NOTE: Filling this tub to the maximum may require an above average size or dedicated water heater.

NOTE: Not recommended as a tub / shower combination.

## ELECTRICAL SPECIFICATIONS:

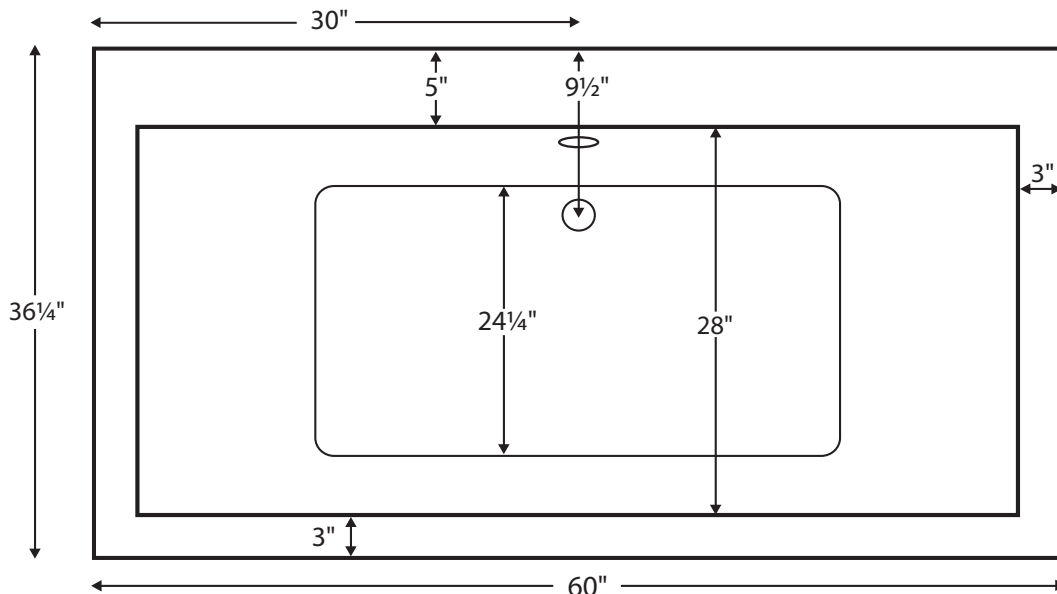
<b>Required Electrical Service</b>	110 Volt
<b>Air Bath</b>	1-15 amp GFCI

CSA Certified C/US; NAHB Certified; ANSI Z124.1 for plastic tubs and ANSI 112.19.7 for whirlpool components.

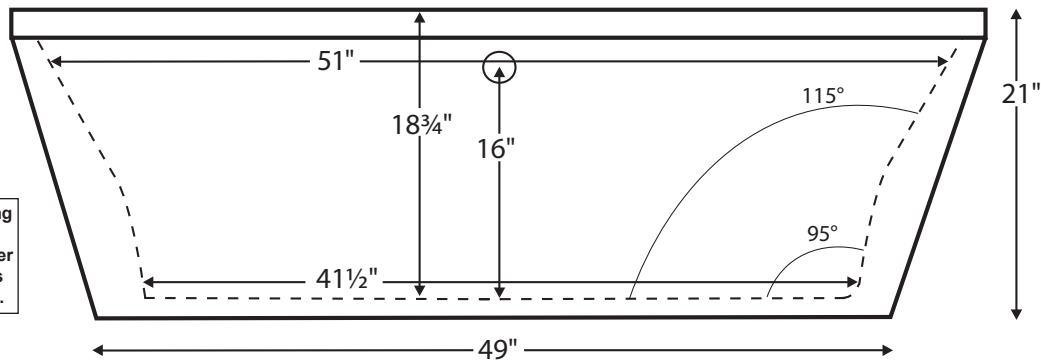
NOTE: See electrical specifications page for electrical requirements of options.



Freestanding Tub



The Rivera features a 5"-wide deck surface on one side, 4" of which is flat, for mounting faucetry. The waste and overflow assembly is concealed between the walls of the tub, eliminating the need for a decorative exposed drain kit. The space between the interior and exterior walls is 3-3/4"



Before ordering or installing, please consider future access to equipment.

Measurements are  $\pm 1/2"$  and are subject to change without notice. Data herein supersedes all previous prior to publication date shown below.

