

Sapelo MTDS-82

72" x 42.25" x 26"

GENERAL SPECIFICATIONS:

Tub Size	72" x 42.25" x 26"
Bathing Well	length: 57.75" top / 44" bottom width: 30.5" top / 27" bottom depth at overflow: 17"
Soaker Weight	185 lbs / 83.91 kg
Maximum Fill	103 gal to overflow
Undermountable	No

NOTE: Filling this tub to the maximum may require an above average size or dedicated water heater.

NOTE: Not recommended as a tub / shower combination.

ELECTRICAL SPECIFICATIONS:

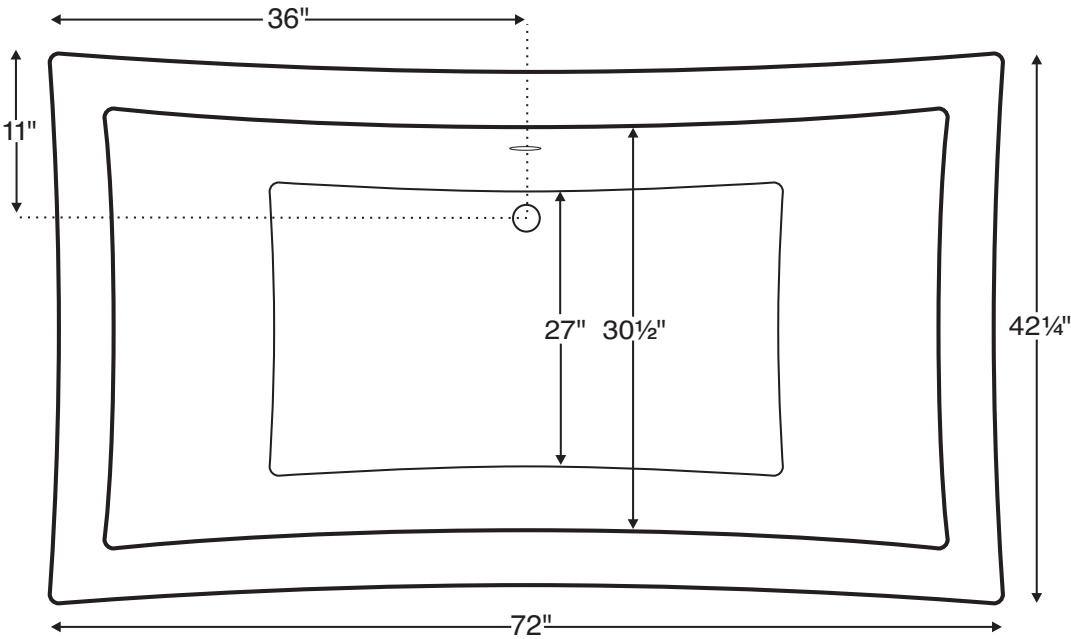
Required Electrical Service	110 Volt
Air Bath	1-15 amp GFCI

CSA Certified C/US; NAHB Certified; ANSI Z124.1 for plastic tubs and ANSI 112.19.7 for whirlpool components.

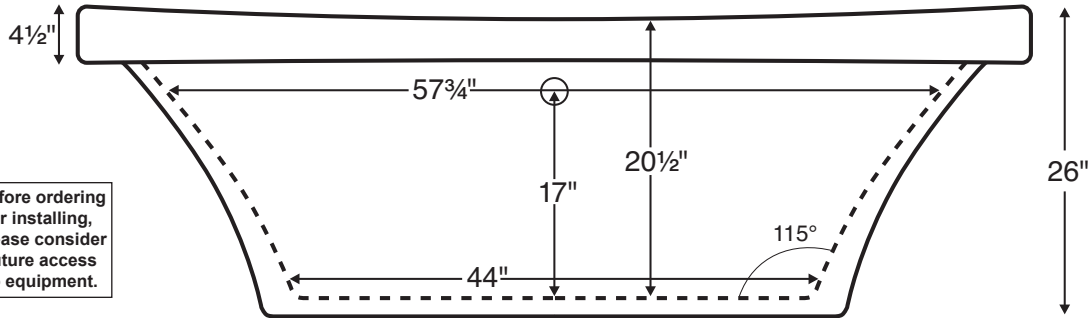
NOTE: See electrical specifications page for electrical requirements of options.



Freestanding Tub



Most MTI freestanding tubs use wall-mounted or freestanding faucets. The waste and overflow assembly is concealed between the walls of the tub, eliminating the need for a decorative exposed drain kit.



Before ordering or installing, please consider future access to equipment.

Measurements are ± 1/2" and are subject to change without notice. Data herein supersedes all previous prior to publication date shown below.

