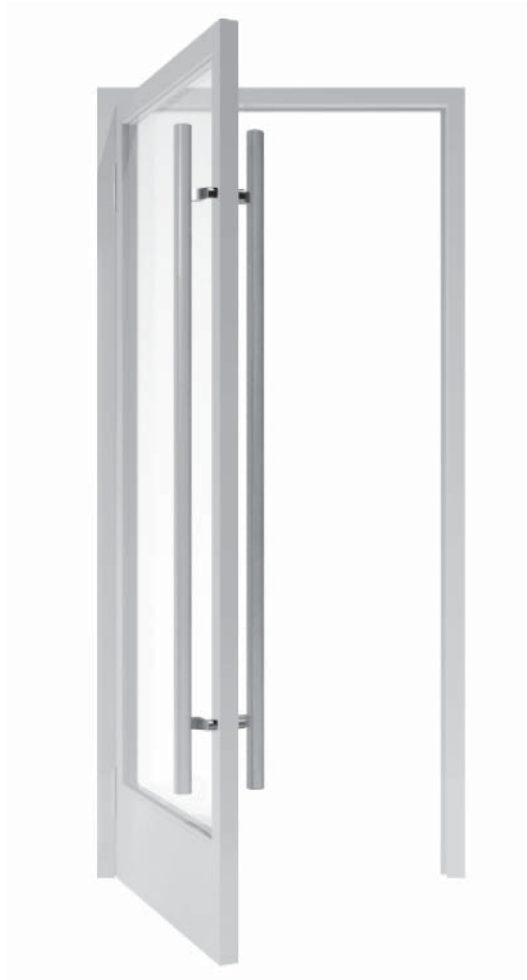


BATHOLOGY

rediscover bathing



SteamTight 440

Commercial Steam Room Door

Installation Specifications

Installation Specifications

When durability and aesthetics matter most, the SteamTight 440 Commercial Steam Room Door guards steam bathing sanctuaries in style. Engineered and built for ADA steam room use, this solidly constructed and easy-to-install door ships pre-hung on a pre-assembled, clear anodized aluminum frame complete with stainless steel hinges, fasteners, drip rail and push/pull set. Options include special sizes, glass styles, sidelites and finishes.

Door Size:

35-3/4" x 83-3/16"

Note: Steam door swings outward

Frame Dimensions:

39-1/2" x 85-3/4"

Required Finished Opening:

40" x 86"

Hardware:

Stainless steel hinges and fasteners
Stainless steel push/pull set

Glass Style:

Clear tempered safety glass, 1/4"

Frame:

Clear anodized aluminum

Compliance:

ADA compliant

Special Features:

Condensation drip rail
Wool pile seals
Pre-hung, pre-assembled door

Sweep:

Vinyl, Tapered

Threshold:

No-threshold installation

Options:

Sidelites - 18" Widths

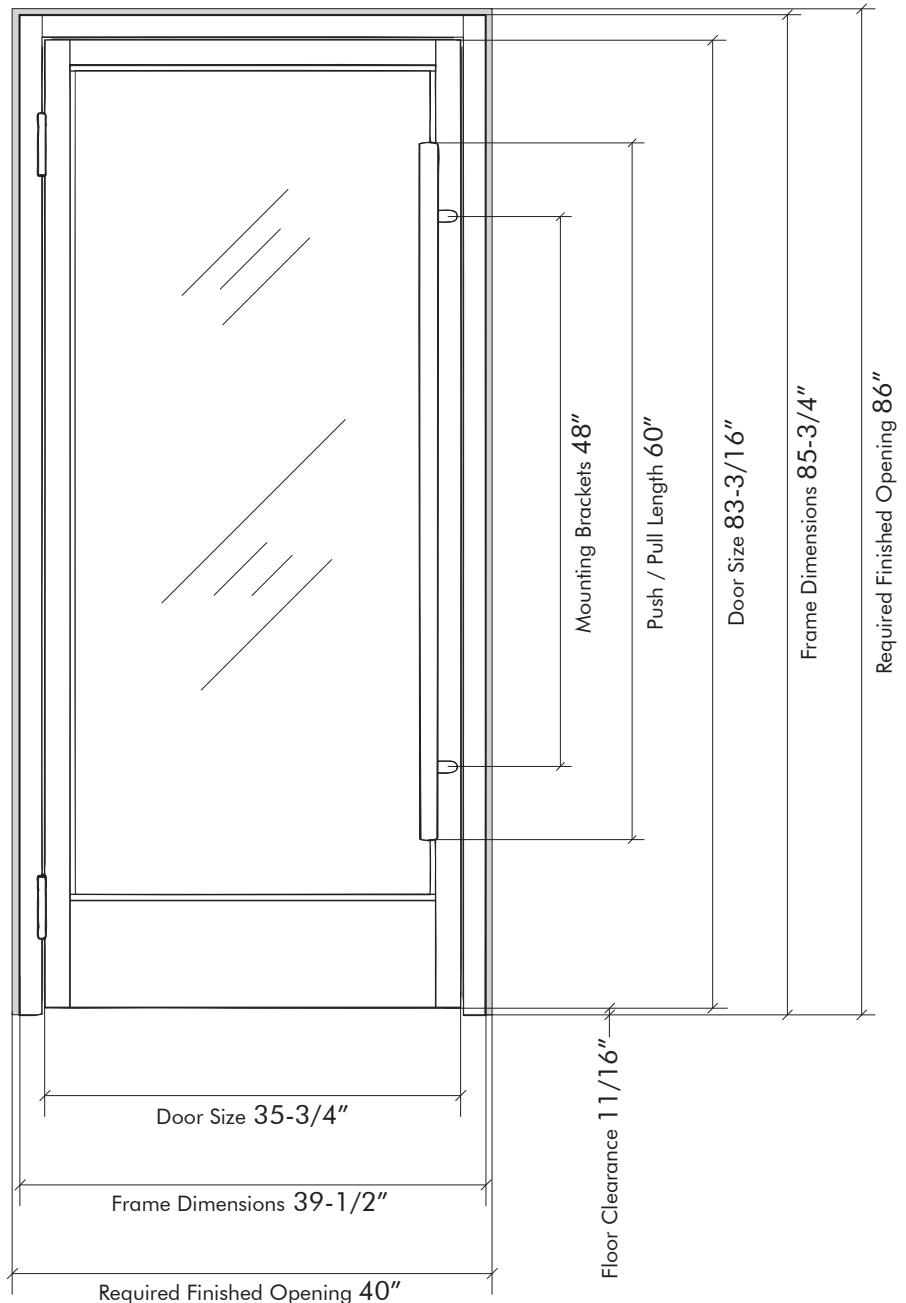
Windows - 24" x 36" or 36" x 36"

Finishes - Anodized bronze
Powder coated white

Glass - 1" Clear insulated
1" Bronze tinted insulated

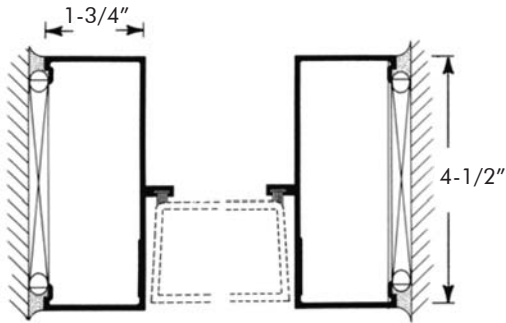
Closer - Painted silver
Stainless steel

Door sizes - Up to 48" W x 96" H

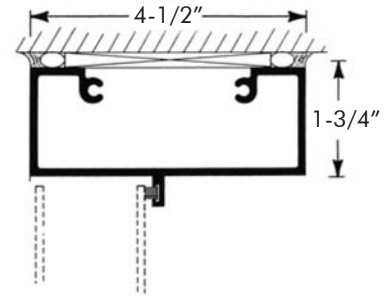


Section Detail

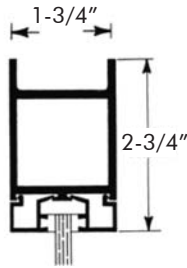
Door Jamb Section



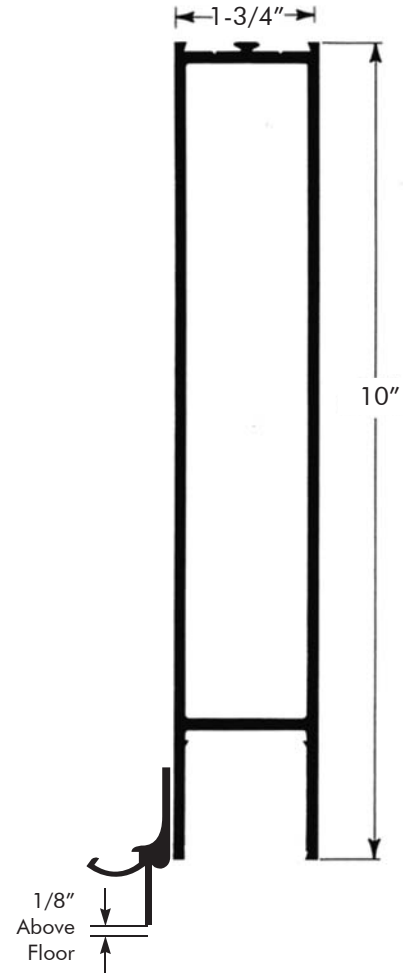
Door Header Section



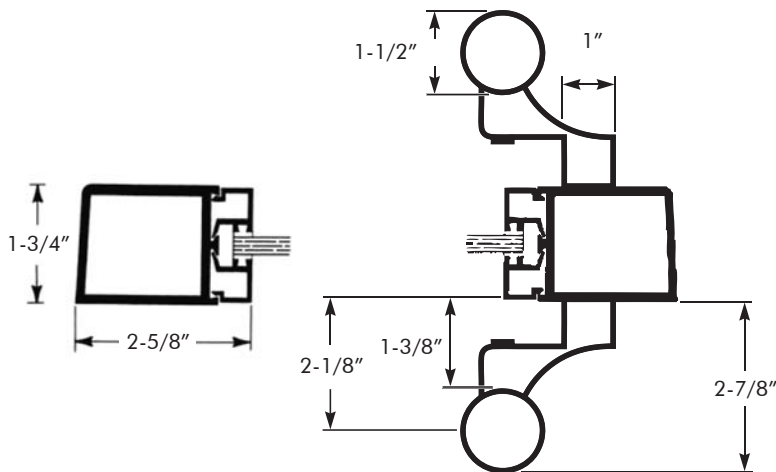
Top Rail Section



Bottom Rail Section



Door Section



BATHOLOGY

rediscover bathing

www.Bathology.com 847-465-1070

A division of Bathing Brands, Inc.