

STEAMIST®

Steambath Control

Model: TSC-250 & TSC-250T

Product Information – TSC-250

2 years parts warranty

Programmable Time and Temperature.

Temperature range 60°F min to 125°F max.

Time up to 60 minutes.

Does NOT operate AromaSense, AudioSense and ChromaSense options.

Digital display of ambient, set temperature, and elapsed time.

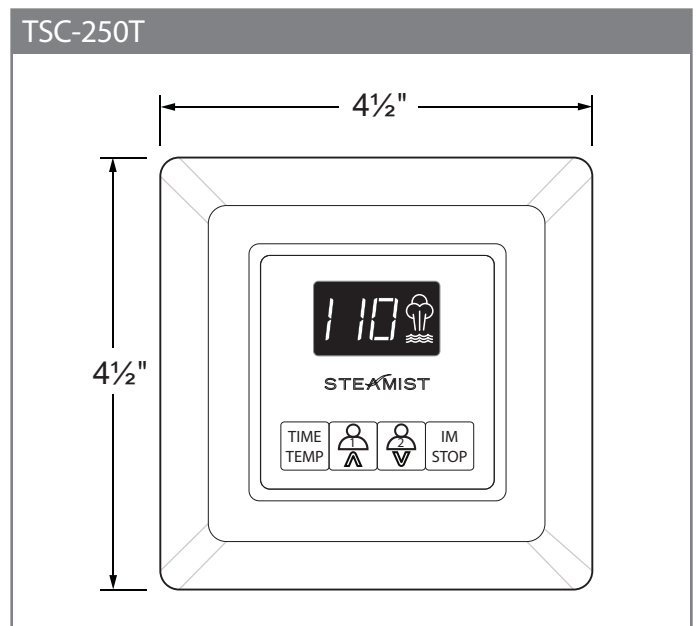
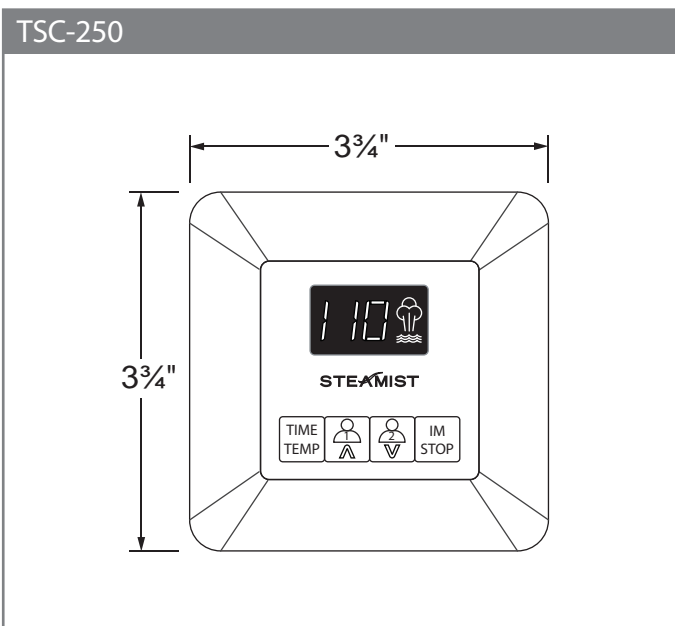
Dimensions: 3¾" x 3¾"

Package Includes: Control, 25-Ft. Multi-Conductor Cable, 6-Pin Coupler, Steamhead (Delivers 360-Degree Steam Dispersion), Strain Relief Clamp, Silicone Sealant, Installation and Operating Instructions.

Required Electrical Service:

Low-voltage connection from

TSG generator via multi-conductor cable (supplied).



Notes

Installation Notes:

Surface Mount - 1½" hole required.

Mounts inside the steam room.

Steamist recommends that the multi-conductor cable be run through ¾" conduit to protect cable from damage and to facilitate easy replacement.

Mount control near seating area and not above steamhead.

Rough-in Notes:

Control should be mounted 48" above the floor.

Steamhead to be mounted 18" above the finished floor or 6" above the rim of the tub and as far from the seating area as possible.

Product No. - Finishes:

PC - Polished Chrome

PN - Polished Nickel

BN - Brushed Nickel

AB - Antique Brass*

PB - Polished Brass*

PG - Polished 24K Gold

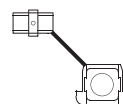
ORB - Oil-Rubbed Bronze

BB - Brushed Bronze

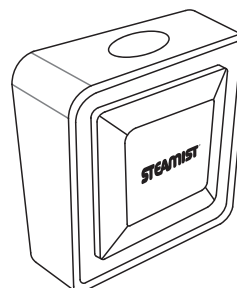
* While supplies last

Package Contents

Strain Relief Clamp

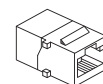


Silicone Sealant

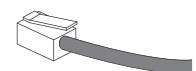


360-Degree Diffusing Steamhead

6-Pin Coupler



25-Ft. Multi-Conductor Cable



Wiring layout with all available options

