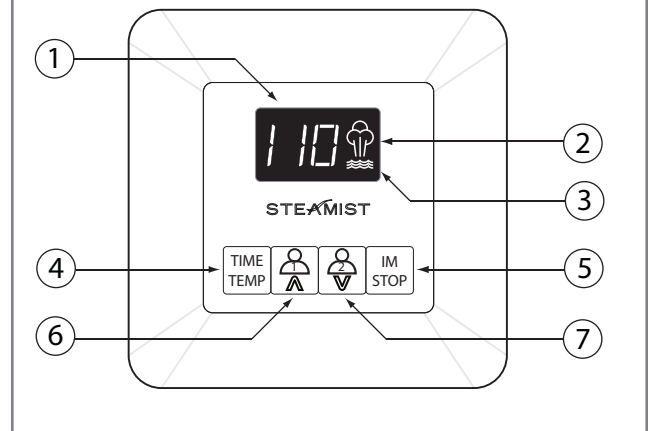


Control Features

- 1. Display:** The digital read out displays the ambient temperature, set point and remaining time in minutes. It is also used to display diagnostic error codes.
- 2. Steam Icon:** When illuminated the steam cycle is running.
- 3. Water Icon:** When steam shower is not in use the blue water waves indicate the InstaMist feature is on. This is also illuminated when the steam bath cycle is running.
- 4. Time / Temp button:** Used to program the default timer when the steam bath is off. Adjustments are made with the Up/Down buttons. The button will switch between time and temperature when the steam bath is on. Adjustments to the timer made during a steam bath cycle are temporary. All temperature adjustments are held in memory for the user of the cycle that is running.
- 5. IM/Stop button:** Toggles the InstaMist feature on/off when the steam bath is off and stops the steam bath cycle when a cycle is started. InstaMist is a preheat function that keeps the water heated for quick starts.
- 6. User 1 button:** Starts the user one cycle and is the up function while in cycle.
- 7. User 2 button:** Starts the user two cycle and is the down function while in cycle.

TSC-250 Digital Temperature Control



IMPORTANT: This control must be installed inside the steam room for proper operation of the system.

Cleaning Instructions: Use a damp cloth and mild soap. Do NOT use abrasive cleaners which might scratch the surface or the base of the control.

Installation Instructions

1. Pre-Installation - Control Location

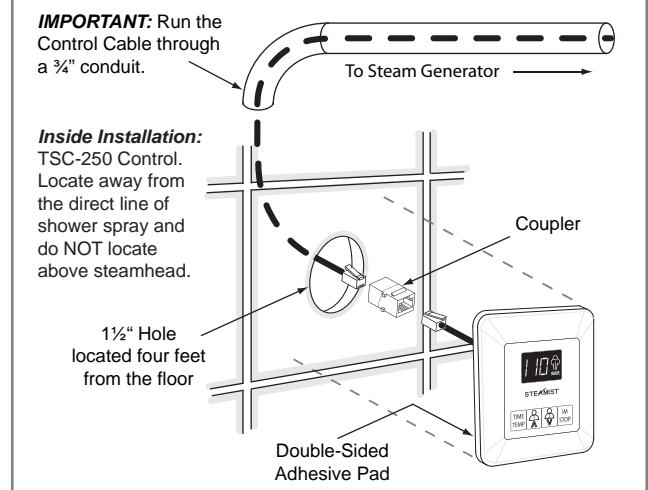
- The TSC-250 Control must be installed inside the steam room. For convenience the recommended height from the floor is four feet. Provide a 1½" hole in the wall at this location (see Figure 1).

IMPORTANT: Multi-conductor cable must be installed so that the end will not be buried inside the wall. The unit will not operate unless the control is installed.

2. Electrical Rough-in

- Remove the multi-conductor cable from the control packing box. Carefully route the multi-conductor control cable from the steam generator to the TSC-250 located inside the steamroom (see Figure 2). Route multi-conductor cable through a ¾" conduit to protect the cable from damage and to facilitate replacement if necessary.

Figure 1



WARNING: Elderly persons, pregnant women, or those suffering from heart disease, high blood pressure, diabetes, or who are otherwise not in good health, do not use this device unless directed to do so by a physician. Also, do not use steambath while under the influence of alcohol. For additional Important Safety Information, please see a separate instruction sheet Pub. No. 199.

IMPORTANT: The TSC-250 Control will only function with the current TSG steam generators.

3. Control and Cable Installation

- a) Locate the previously installed cable and black plastic strain relief clamp which is in the control packing box. Locate the knockout on the steam generator for the control cable (see Figure 2).
- b) Place strain relief around cable about seven inches from the end and insert into the hole. Remove the protective covering labeled "Remove Before Installation" from the modular jack found on the PC board.
- c) Remove the protective cap from the multi-conductor cable plug. Connect the cable to the modular jack.
- d) Close and secure generator cover.
- e) Locate Telco Jack at female coupler, on back of the TSC-250 control. Remove the protective covering labeled "Remove Before Installation". Remove protective cap from cable and plug into jack. Check that the orientation of the plug properly aligns with the jack. A snap will indicate the plug is installed correctly (see Figure 3).

WARNING: Test the control for operation before continuing on to the next step.

- f) Peel adhesive liner from back of the control. Apply the control to the wall. Press firmly and hold for a few seconds.
- g) After the control is in place, apply silicone (supplied) around the control to form a watertight seal (see Figure 4).

Figure 3

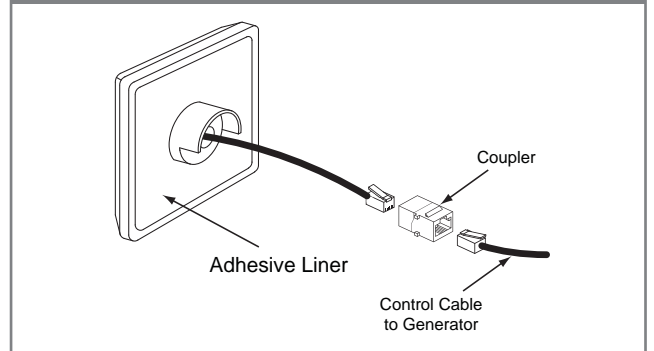
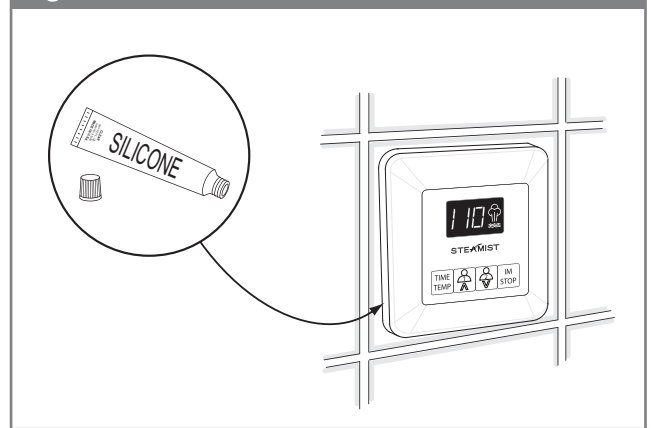
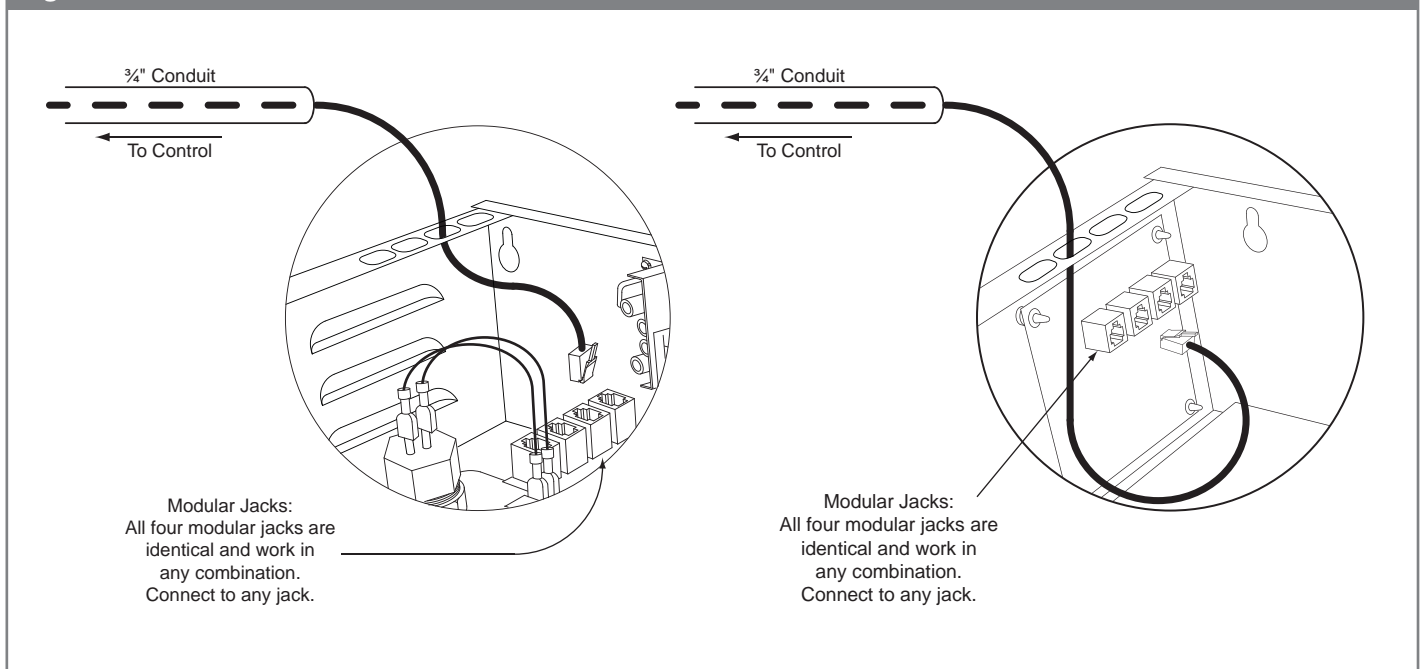


Figure 4



IMPORTANT: The adhesive on the back of the TSC-250 control will NOT seal this control. It is the responsibility of the installer to seal this control to the wall with the supplied silicone. Water damage to the control is not covered by the warranty.

Figure 2 - Cable Installation on Steam Generator



Installation Instructions for Steamhead & Center Hub

1. Make sure the 3/4" nipple protrudes beyond the tile approximately 1/2" (see Figure 5).
2. Wrap the nipple with pipe sealant tape.
3. Put a bead of silicone around the outer edge of the Back Plate (see Figure 5) and center the Back Plate over the pipe in an upright position. While holding it in place screw the Center Hub onto the nipple, using a 3/8" Hex Key to tighten.
4. The Center Hub **MUST** be aligned with the four walls in the vertical and horizontal position (see Figure 6). Make sure the steamhead O-ring is fully seated into the Back Plate. If the nipple is sticking out too far the O-ring will not make a proper seal and the nipple must be adjusted.
5. Apply a small amount of silicone at the back center point of the Cover Plate. This will aid in preventing movement of this plate (see Figure 6).
6. Place the Cover Plate over the Center Hub. This is accomplished by first hooking the top and then snapping the bottom into place.
7. Adjust the Back Plate and Cover Plate to line up squarely, and clean excess silicone with rubbing alcohol.

Figure 6 - Center Hub Installation

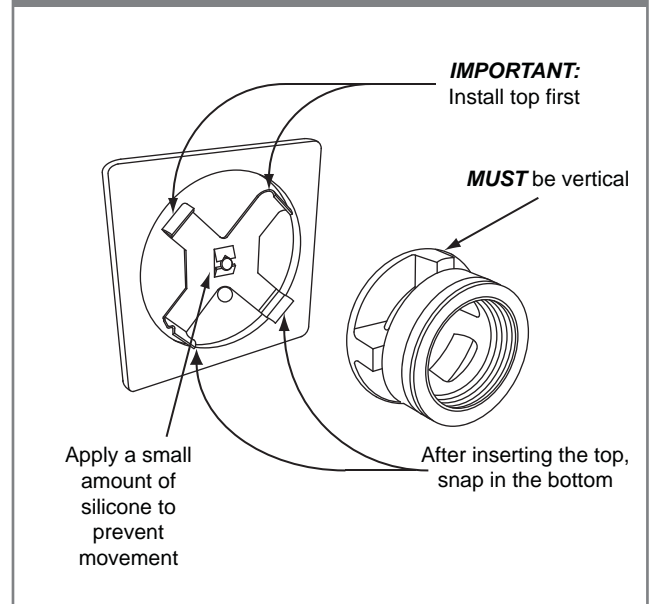
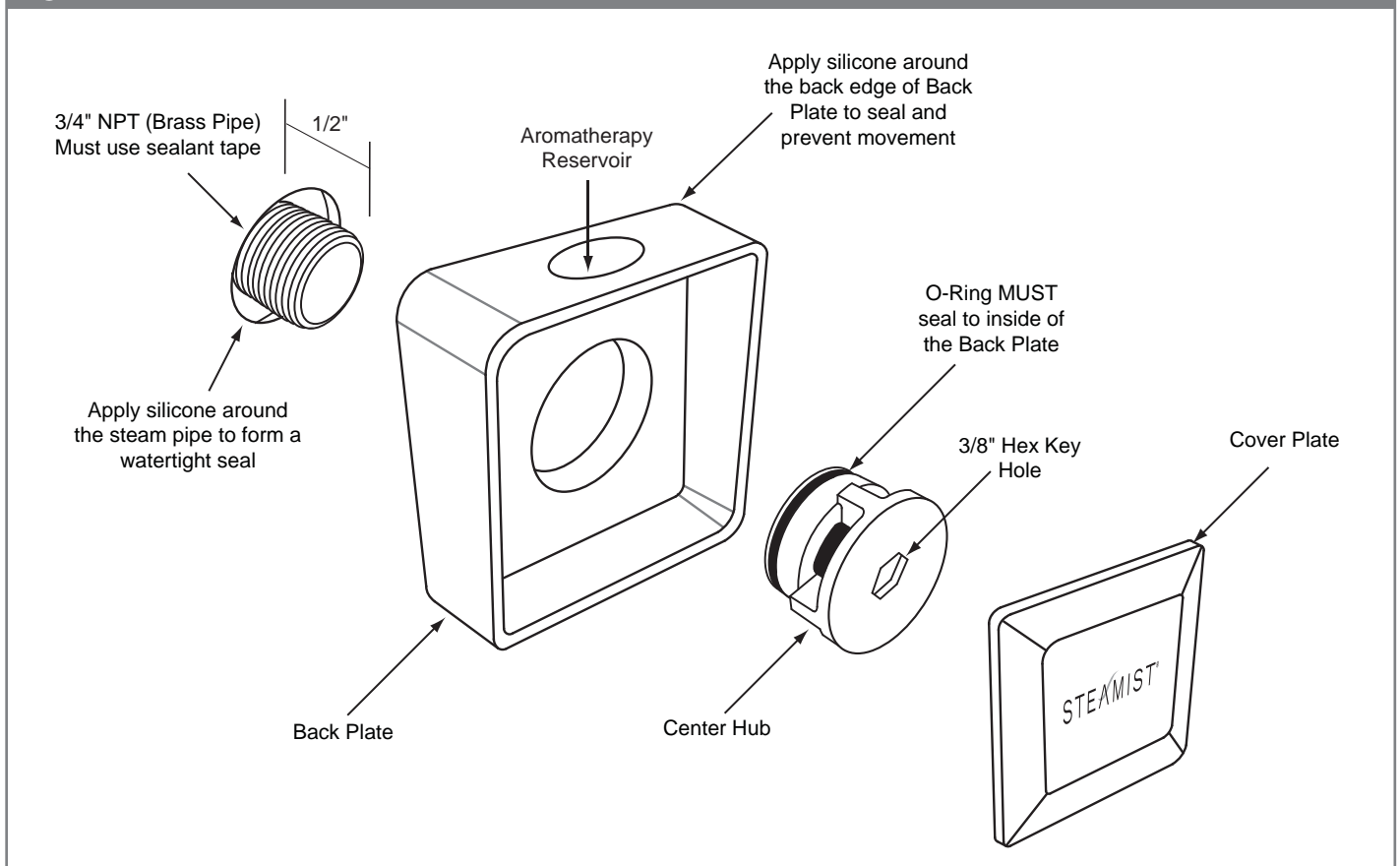


Figure 5 - Steamhead Installation



Operating Instructions

Model: TSC-250

Operation: Make sure the water and power are turned on. Simply press USER 1 or USER 2 keypad to begin the cycle. Pressing the Stop keypad will cancel the cycle. After a cycle is started it will take a few minutes for the Steam Generator to heat up and begin producing steam. This time will be less if the InstaMist has been ON. During operation the display will show the ambient temperature or the remaining time. This can be selected by toggling the TIME/TEMP keypad.

Programming: Adjustments can be made to the temperature only while a cycle is started. When the temperature is displayed, the set temperature can be viewed or changed by momentarily pressing the up or down keypad. Temperature adjustments made when USER 1 cycle is started will be saved

to USER 1 and likewise for USER 2. All changes made to the temperature control are stored in memory until changed again. The temperature range is 60°F to 125°F (16°C to 52°C). While a cycle is running the remaining time can be adjusted up or down. This adjustment is only for the current steam bath cycle. The default time is programmed when the cycle is off by momentarily pressing the TIME/TEMP keypad. Any adjustments made at this time are stored as the new default time for both users.

The InstaMist feature can be selected or deselected while the system is in the off mode. Simply press the IM keypad and the blue waves will light to indicate you are in InstaMist mode. InstaMist keeps the generator warm for a faster heat up.

Additional Features

Memory: The temperature set points for USER 1, USER 2, the default time, and the selection of InstaMist are retained even if there is a power failure.

Service Modes: To enter the service mode, in the Off mode press and hold the TIME/TEMP button. After 3 seconds you are in service mode and can do one of the following three functions. The service mode will be indicated by the display of either an F or C (Fahrenheit/Celsius) indicating the current setting. You must continue to hold the TIME/TEMP keypad to stay in the service mode.

Service mode 1: While continuing to press the TIME/TEMP keypad press the up arrow to change to Fahrenheit or Celsius. The display will show the current setting "F" or "C". Let go to save you setting.

Service mode 2: While continuing to hold the TIME/TEMP button, press and hold the down arrow for 5 seconds to reset factory defaults. All the display characters will light for 2 seconds indicating it was done successfully.

Service Mode 3: While continuing to hold the TIME/TEMP button press the IM/STOP button and the program version will be displayed.

Error Messages: This control is programmed with a diagnostic feature to help isolate any potential problems. Errors are displayed by flashing an "Er" followed by a 2 digit number. The first digit is the device number. Zero for the control and 1-4 for the generators. The second digit is the error code for that device. Error messages "Er 01", "Er 02", and "Er 04" indicate a problem internal to the control. If this occurs, the control should be replaced. Error messages "Er 03" means the control could not communicate with a steam generator and may be a cable connection problem. If this error occurs, check both ends of the control cable for clean, dry and secure connections. Dirty contacts can be cleaned with alcohol and a cotton swab or a toothbrush. This can also happen if the control is not sealed and the cable connections get wet. Also make sure the generator is not in test mode. Try resetting the breaker. Generator error codes are not covered in this document.

Figure 7 - Installation Suggestions

