

Steambath Control

Model: TSC/TSC-350

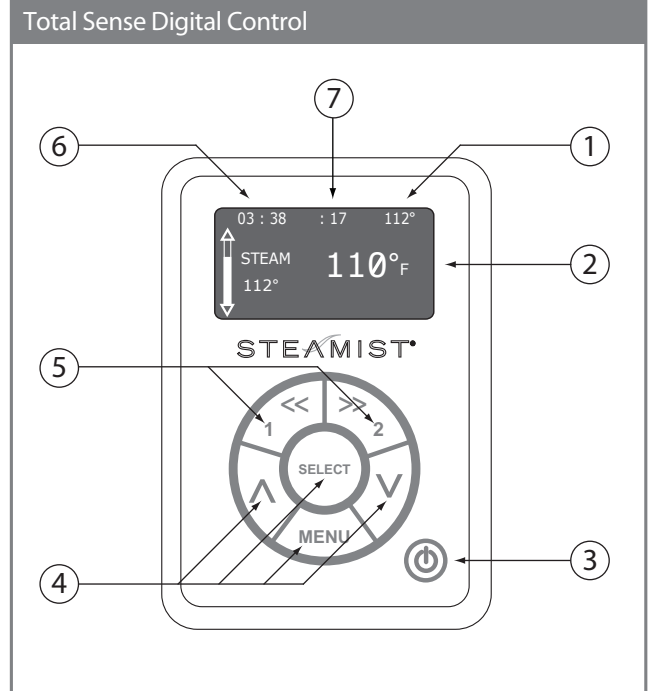
Control Features

1. **Set Point:** Indicates steamroom setpoint temperature.
2. **Temperature Display:** Indicates ambient room temperature.
3. **ON/OFF Keypad:** Press keypad to start the system as a guest user. Press the Keypad any time the system is on to turn it off.
4. **Navigation Keys:** UP/Down Arrows, Menu, and Select.
5. **User 1 / User 2:** Press to select Pre-Set user settings.
6. **Clock:** Displays current time.
7. **Duration:** Remaining time of the system cycle.

NOTE: For more details see separate operating instructions Pub. No. 207.

IMPORTANT: Control must be installed inside the steam room for proper operation of the system.

Cleaning Instructions: Use a damp cloth and mild soap. Do NOT use abrasive cleaners which might scratch the surface or the base of the control.



Installation Instructions

1. Pre-Installation - Control Location

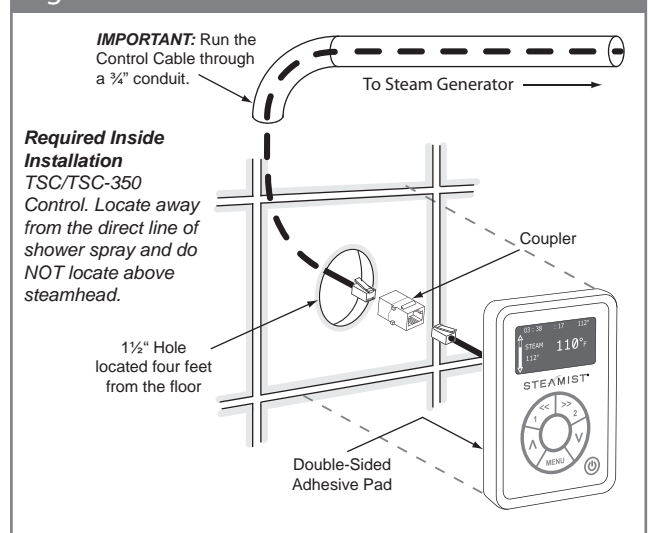
The TSC/TSC-350 Control must be installed inside the steam room. For convenience the recommended height from the floor is four feet. Provide a 1½" hole in the wall at this location (see Figure 1).

IMPORTANT: Multi-conductor cable must be installed so that the end will not be buried inside the wall. The unit will not operate unless the control is installed.

2. Electrical Rough-in

Remove the multi-conductor cable from the control packing box. Carefully route the multi-conductor control cable from the steam generator to the TSC/TSC-350 located inside the steamroom (see Figure 1). Route multi-conductor cable through a ¾" conduit to protect the cable from damage and to facilitate replacement if necessary.

Figure 1



WARNING: Elderly persons, pregnant women, or those suffering from heart disease, high blood pressure, diabetes, or who are otherwise not in good health, do not use this device unless directed to do so by a physician. Also, do not use steambath while under the influence of alcohol. For additional Important Safety Information, please see a separate instruction Pub. No. 199.

IMPORTANT: The TSC/TSC-350 Control will only function with the current TSG steam generators.

Installation Instructions

3. Control and Cable Installation

- a) Locate the previously installed cable and black plastic strain relief clamp which is in the control packing box. Locate the knockout on the steam generator for the control cable (see Figure 2).
- b) Place strain relief around cable about seven inches from the end and insert into the hole. Remove the protective covering labeled "Remove Before Installation" from the modular jack found on the PC board.
- c) Remove the protective cap from the multi-conductor cable plug. Connect the cable to the modular jack.
- d) Close and secure generator cover.
- e) Locate Telco Jack at female coupler, on back of the TSC/TSC-350 control. Remove the protective covering labeled "Remove Before Installation". Remove protective cap from cable and plug into jack. Check that the orientation of the plug properly aligns with the jack. A snap will indicate the plug is installed correctly (see Figure 3).

WARNING: Test the control for operation before continuing on to the next step.

- f) Peel adhesive liner from back of the control. Apply silicone (supplied) into channel around the back of the control to form a watertight seal (see Figure 3).
- g) Apply the control to the wall. Press firmly and hold for a few seconds. Wipe the excess silicone from around the control.

Figure 3

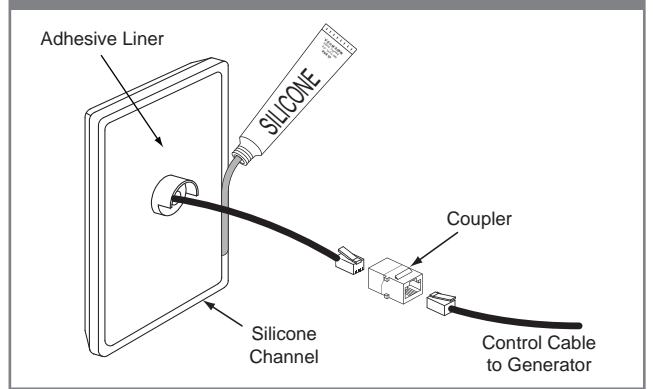
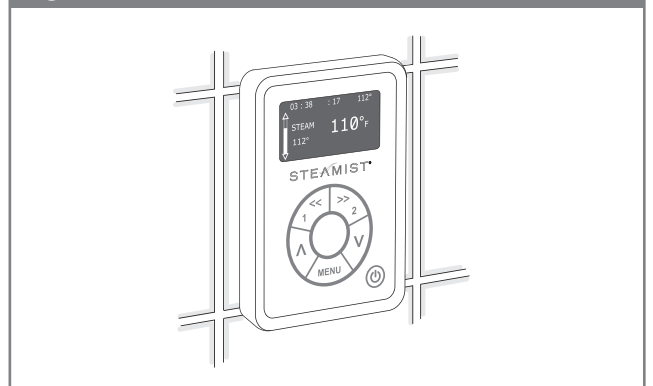
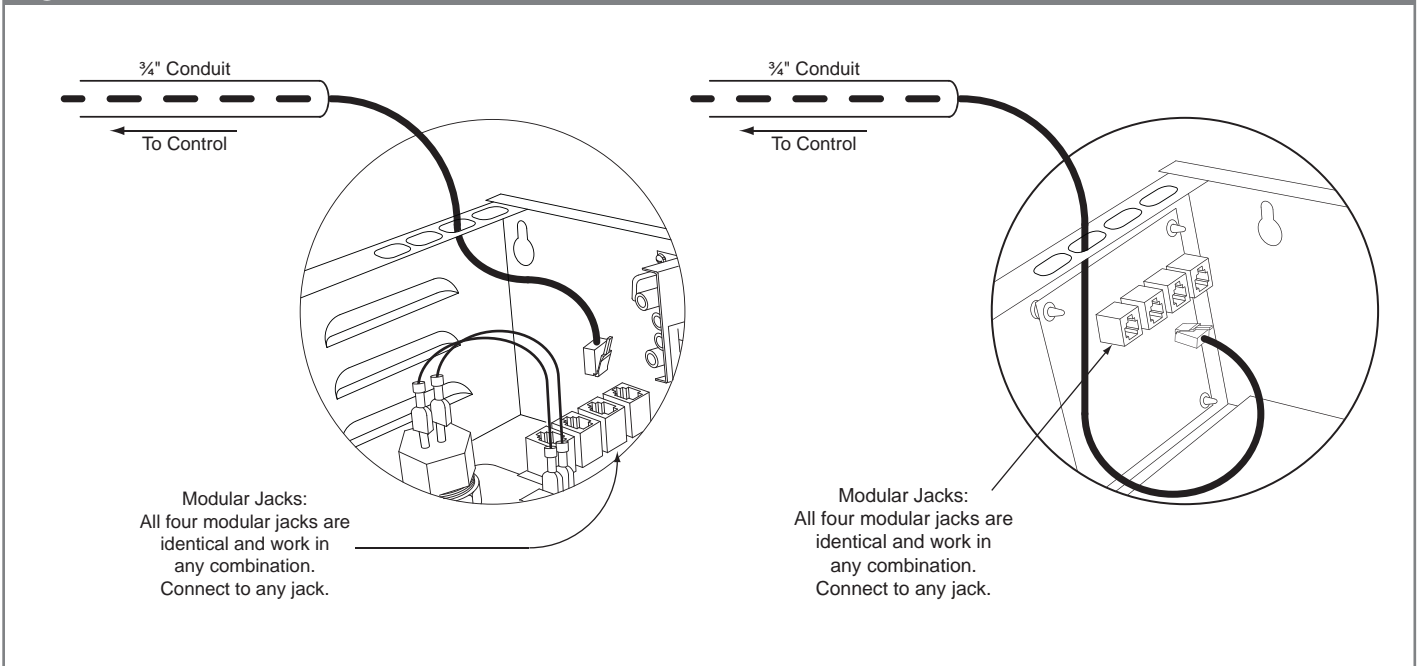


Figure 4



IMPORTANT: The adhesive on the back of the TSC/TSC-350 control will NOT seal this control. It is the responsibility of the installer to seal this control to the wall with the supplied silicone. Water damage to the control is not covered by the warranty.

Figure 2 - Cable Installation on Steam Generator



Installation Instructions for Steamhead & Center Hub

1. Make sure the 3/4" nipple protrudes beyond the tile approximately 1/2" (see Figure 5).
2. Wrap the nipple with pipe sealant tape.
3. Put a bead of silicone around the outer edge of the Back Plate (see Figure 5) and center the Back Plate over the pipe in an upright position. While holding it in place screw the Center Hub onto the nipple, using a 3/8" Hex Key to tighten.
4. The Center Hub **MUST** be aligned with the four walls in the vertical and horizontal position (see Figure 6). Make sure the steamhead O-ring is fully seated into the Back Plate. If the nipple is sticking out too far the O-ring will not make a proper seal and the nipple must be adjusted.
5. Apply a small amount of silicone at the back center point of the Cover Plate. This will aid in preventing movement of this plate (see Figure 6).
6. Place the Cover Plate over the Center Hub. This is accomplished by first hooking the top and then snapping the bottom into place.
7. Adjust the Back Plate and Cover Plate to line up squarely, and clean excess silicone with rubbing alcohol.

Figure 6 - Center Hub Installation

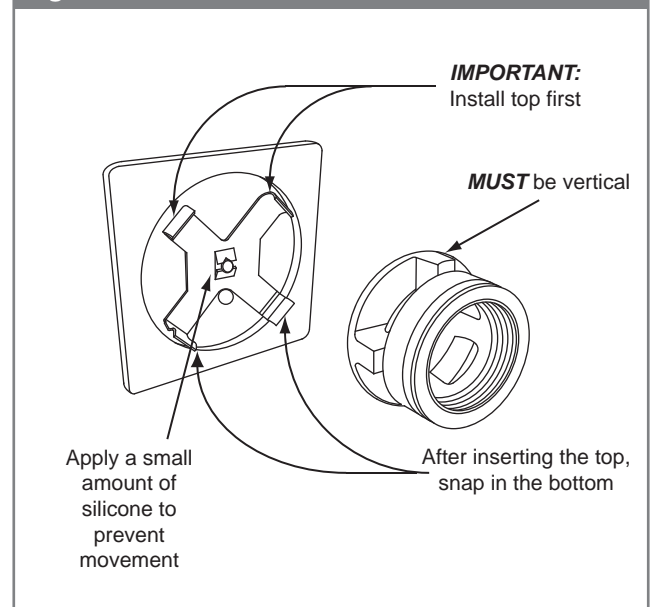
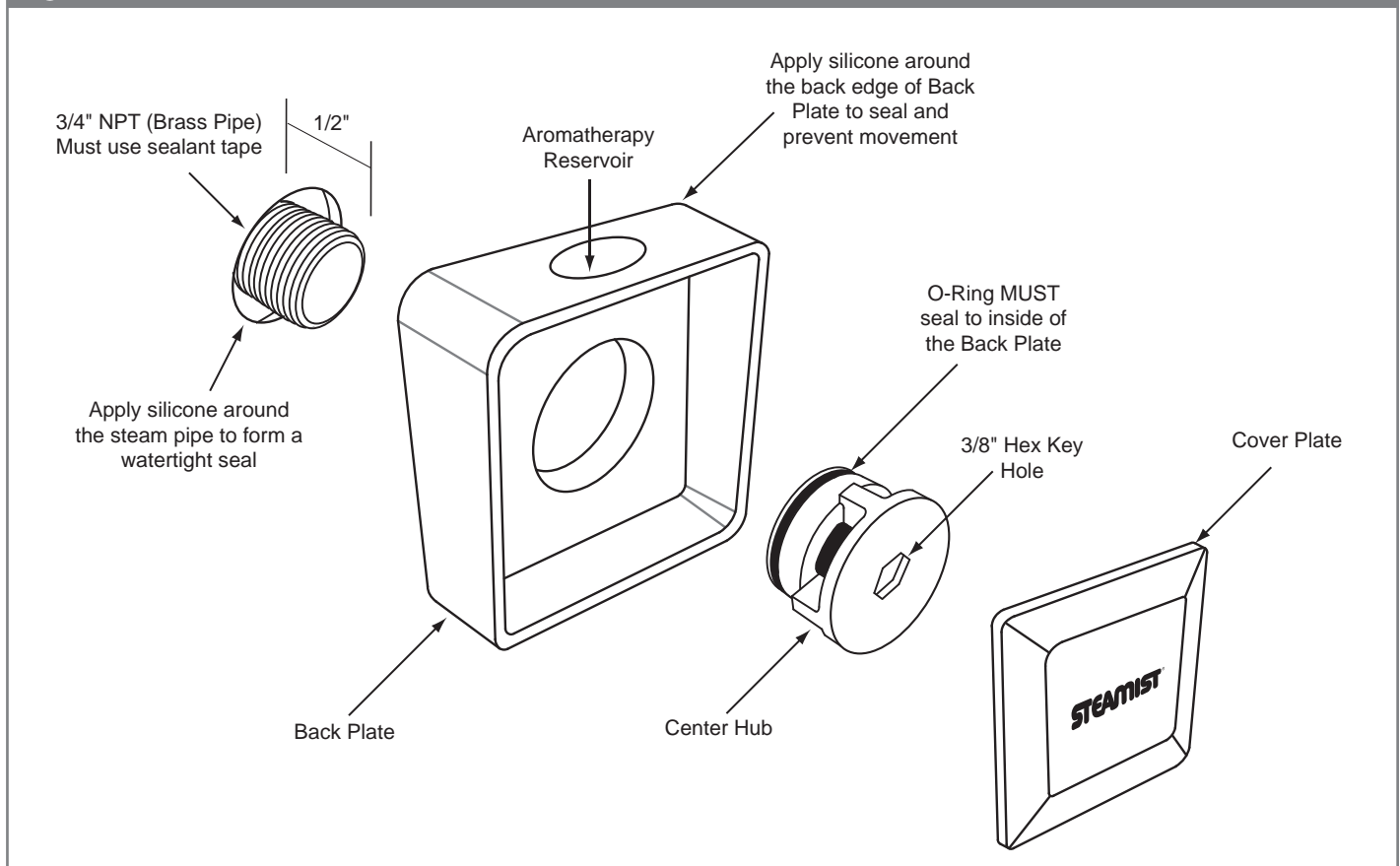


Figure 5 - Steamhead Installation



The TSC/TSC-350 Total Sense Control has a built in temperature sensor and therefore must be installed inside the steam room.

Temperature settings: 60°F min to 125°F max

Max Time setting: 60 Minutes

Figure 7 - Installation Suggestions

