

# STEAMIST®

Auto Drain

Model: TSG-AD

## Specifications – TSG-AD

**Electrical Information:** Connects to a factory installed Auto Drain terminal block, located inside the Generator cabinet.

**Product Information:** Normally Closed (N/C).  
Inlet & Outlet - ½" NPT Brass female thread.

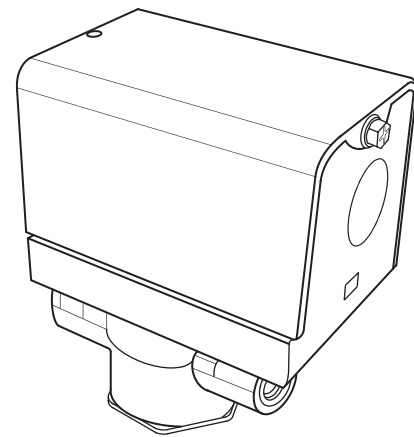
**Installation Notes:** Valve should be installed with arrow on cover pointing away from Generator. Pipe Auto Drain outlet to empty into floor drain. Outlet must have a minimum air gap of twice the diameter of the Auto Drain pipe.

**Product No. - Description:**

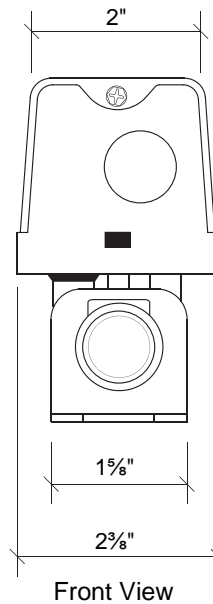
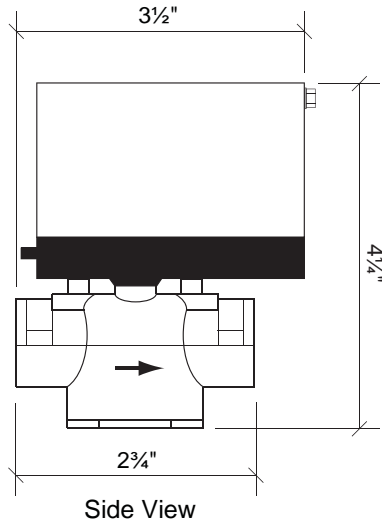
**9070** - To be used with 240v generators

**9071** - To be used with 208v generators

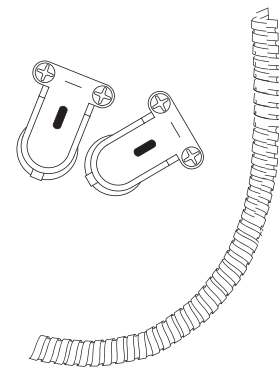
Auto Drain



## Dimensions



Supplied with Conduit  
and (2) Connectors



**Application Information:**

For use only with models TSG-7, TSG-10, and TSG-15 steam generators.