

## Steambath Generator

Models: TSG-7 and TSG-10

The Steamist "TSG" Generator comes factory assembled, carefully wired and tested.

**WARNING:** All electrical power should be turned OFF when working with Steam Generator.

**IMPORTANT:** The Plumbing Installation must conform to local and national codes.

### 1. Pre-Installation

a) Be sure that the proper size Steam Generator has been selected by using the sizing page in the "Full Line Brochure," "Pricing Guide," "The Generator Sizing Guide," "Architectural Guidelines," or in the Residential Systems/Steambath Product Information section of the Steamist website - [www.steamist.com](http://www.steamist.com).

**CAUTION:** An improperly sized Steam Generator may NOT produce the amount of steam necessary to reach selected temperature.

b) The Steam Generator should be located as close as possible to the Steamroom/Shower or tub enclosure. Steam pipe should NOT exceed twenty-five feet in length. If the steam pipe exceeds ten feet, use an appropriate pipe insulation rated for a minimum of 212°F. Possible locations include Vanity, Closets, or Basement near bath area. The serial number plate should be visible and the Steam Generator should be accessible for service. Refer to Installation Suggestions on page 4. Do NOT install Generator outdoors, in an attic, in a moist, humid area, or in an area where parts may freeze or corrode. Also, do NOT install near flammable materials such as paints, thinners, gasoline, etc.

c) The steam line and safety valve reach a temperature of 212°F during operation and should be appropriately protected to prevent personal injury by accidental contact.

### 2. Plumbing Rough-in

Plumbing rough-in is required for the water supply and steam line; this should be completed before the walls are closed. For operation, the "TSG" Steam Generator requires a  $\frac{3}{8}$ " O.D. copper tubing to the fitting on the generator for water inlet and a  $\frac{3}{4}$ " copper or brass pipe for steam outlet.

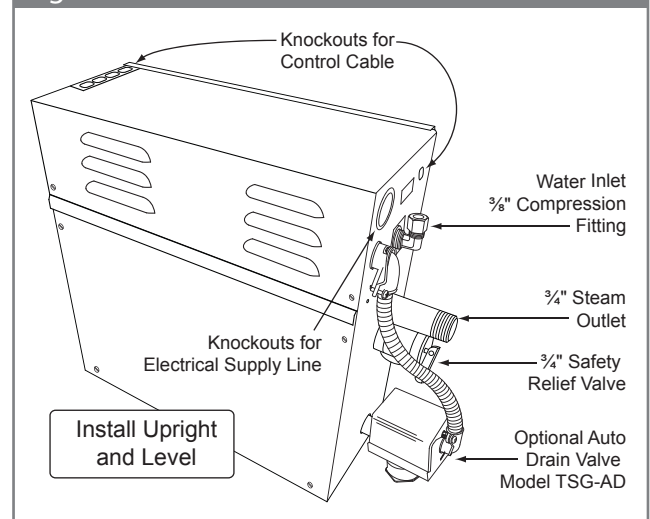
**NOTE:** Safety Valve should be connected to a minimum  $\frac{3}{4}$ " indirect waste or as required by local plumbing codes. In the unlikely event this valve should open, the discharge must be directed to prevent damage to the home.

a) **Water Inlet** - Rough in a water line, 120 PSI max, to the hot or cold supply. A shut off valve with a  $\frac{3}{8}$ " connection to the steam generator is to be provided at the generator location (see Figure 4 on page 3).

b) **Steam Outlet** - Rough in the steam line using a minimum of a  $\frac{3}{4}$ " copper or brass pipe; do NOT use black iron or galvanized pipe; it will rust and discolor the wall of the steambath. Do NOT use any plastic type pipe or fittings. The steamhead location should be 18" above the shower floor or 6" above the rim of the bathtub, as far from the seating area as possible.

**CAUTION:** No shutoff valve can be installed in the steam line. Do NOT create traps or valleys in this line which would trap condensation and block the flow of steam. The steam pipe should be pitched allowing condensation to run back toward the Steam Generator (preferred), or toward the steamhead. When installing multiple steam generators DO NOT interconnect the steam pipes.

Figure 1 - Steam Generator



**WARNING:** Elderly persons, pregnant women, or those suffering from heart disease, high blood pressure, diabetes, or who are otherwise not in good health, do not use this device unless directed to do so by a physician. Also, do not use steambath while under the influence of alcohol. For additional Important Safety Information, please see a separate instruction Pub. No. 199.

**IMPORTANT:** The warranty of this product is voided if it is used in a commercial application or for anything other than a residential steambath installation. This product is not intended for use with Home Automation systems.

Installation Instructions

Models: TSG-7 and TSG-10

**3. Steam Generator Installation**

The Steam Generator should be mounted in a location convenient for hook-up and service by the plumber and electrician.

**CAUTION:** The Steam Generator is designed to be used ONLY in an upright and level position; to do otherwise would damage the unit and void the warranty.

a) The Steam Generator can be mounted to a wall or set on the floor. However, the unit must be secured. To secure the unit to a vertical wall, loosen the two screws holding the electrical access cover, remove cover (see Figure 1). Located inside the cabinet near the top left and right corners are mounting holes. Place top cover back and secure.

b) Connect the 3/8" water inlet to a shut off valve as described in Section 2.a. The valve must be kept in an open position during normal operation. In an area where water hammer is a problem install a water hammer arrestor in the line. Refer to Figure 2.

**IMPORTANT:** Do NOT use a "saddle valve" or piercing type valve for water connection.

c) Connect the steam line from rough-in location described in Section 2 to the 3/4" nipple on the Steam Generator using a union.

Figure 2 - Plumbing Diagram

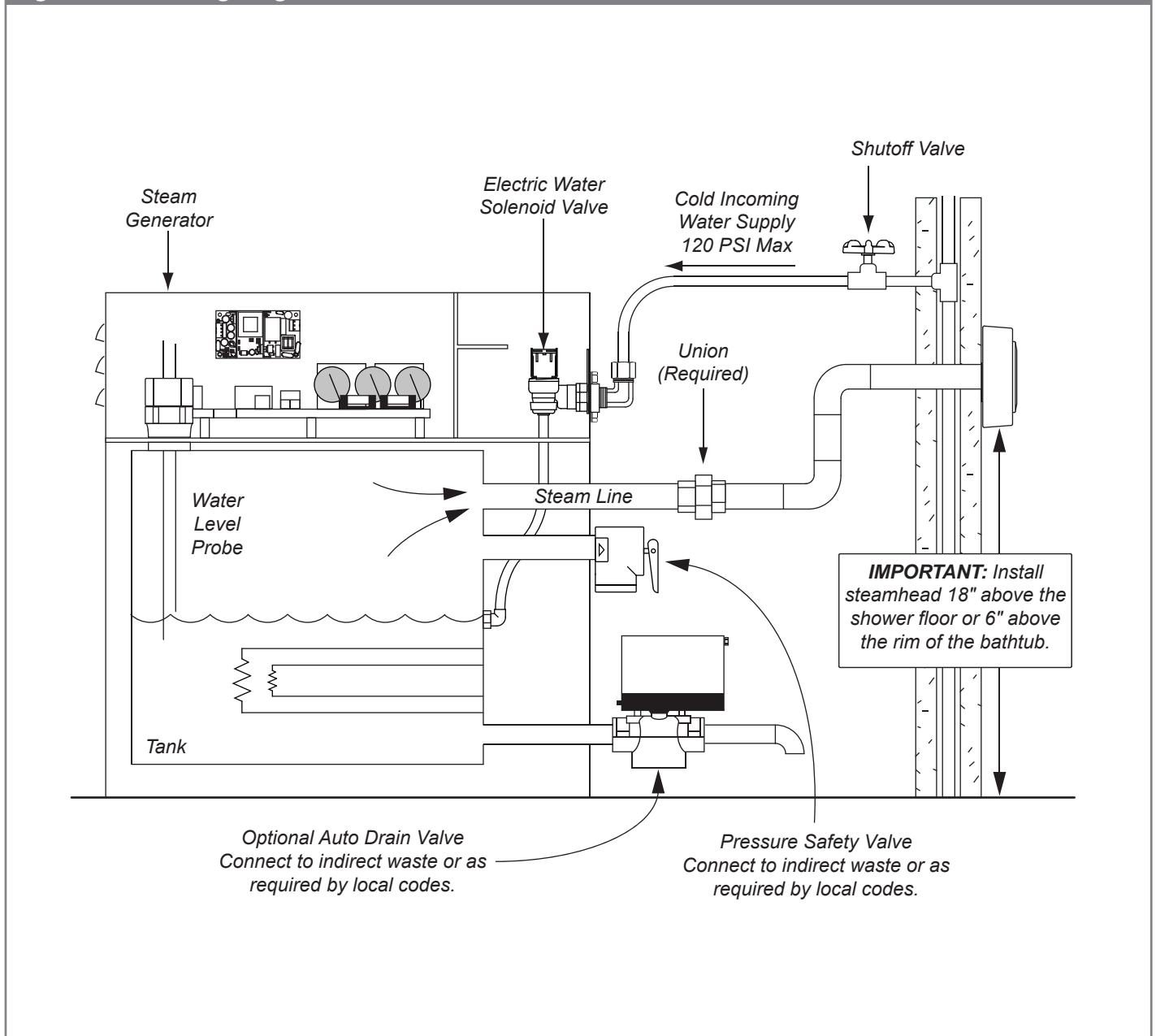
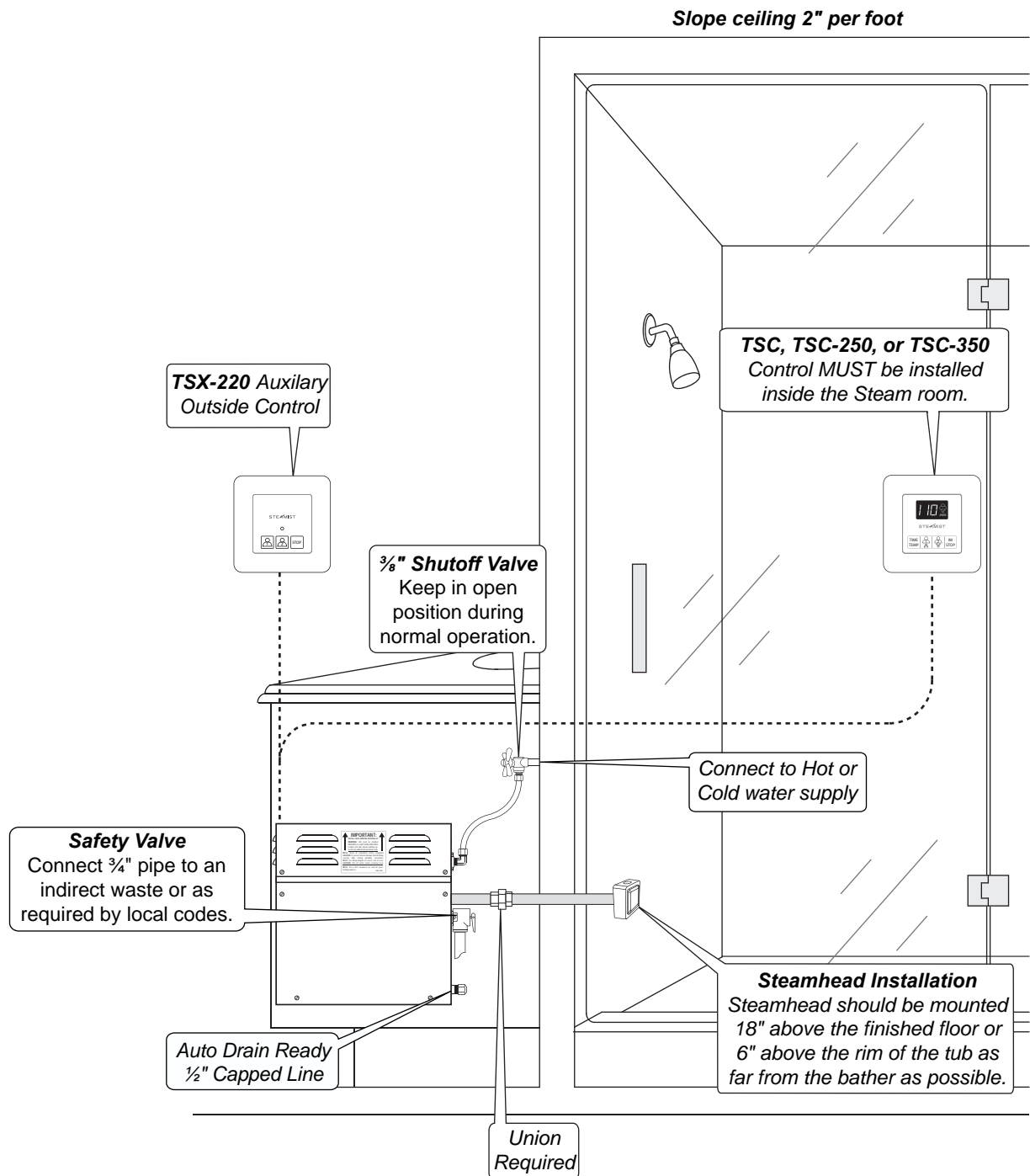


Figure 4 - Typical Installation

Models: TSG-7 and TSG-10

The Plumbing Instructions must be given to the homeowner for future use.



**Steam Outlet Pipe** - Use a minimum of a 3/4" Copper or Brass pipe.

**CAUTION:** Do NOT install a shutoff valve on the steam outlet pipe. Do NOT create traps or valleys in this line which would prevent the flow of steam. The steam outlet pipe should be pitched toward the Steam Generator (preferred), allowing condensation to run back into the Steam Generator or toward the steamhead. If the steam pipe exceeds ten feet, use an appropriate pipe insulation rated for a minimum of 212°F.

Access Requirements

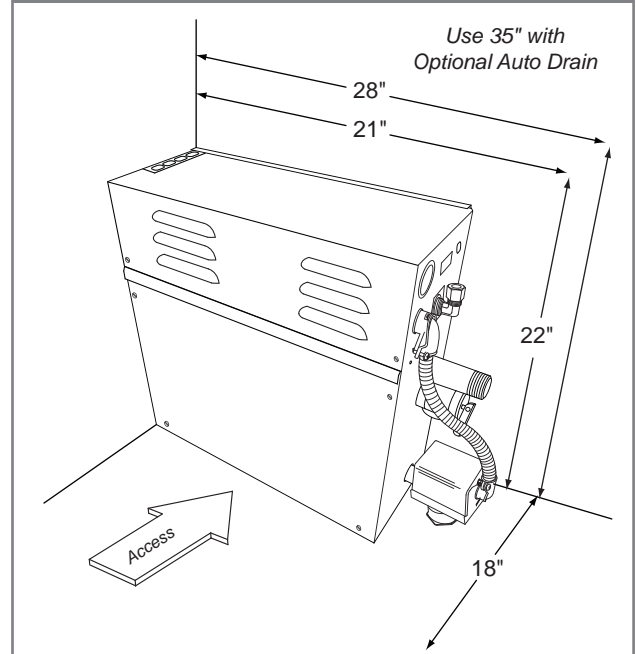
Models: TSG-7 and TSG-10

Select a location for mounting the Steam Generator that is accessible for installation and service. The access requirement indicates the minimum space for convenient access to Steam Generator.

**CAUTION:** All models must be installed INDOORS, in a DRY, NON-FREEZING location away from flammable materials such as: Gasoline, Paints, Thinners, Etc.

**IMPORTANT:** Steam Generator must be installed upright and level.

Figure 5



Installation Suggestions

**CAUTION:** Do NOT install the steam generator in an attic location.

