

STEAMIST®

AudioSense Option Only

Model: TSMU

Product Information – TSMU

2 year parts warranty

Can only be installed with TSG Series generators.

Speakers (TSS-CL or TSS-IN) sold separately

Package Includes:

(1) TSMU Digital Control Module

(1) iPod Cradle w/ 25ft cable

(1) 25' control cable

Installation Notes

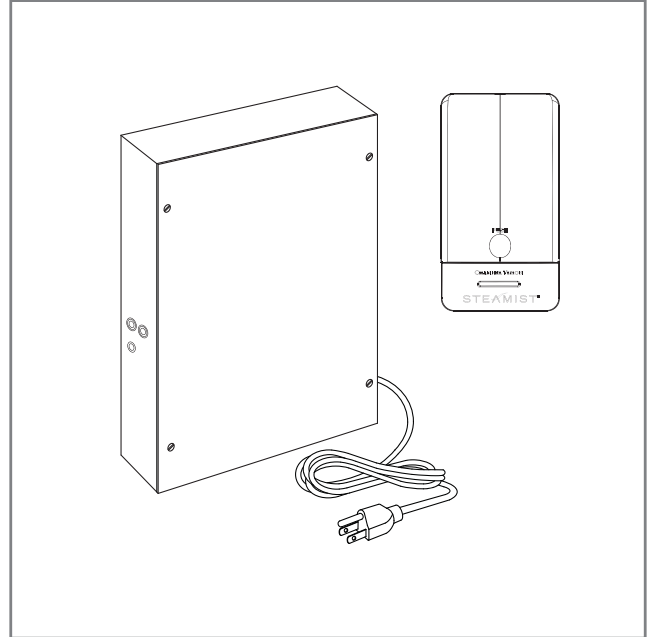
Digital Control Module Mounting Holes: 10" apart and level

Rough-in Notes

TSC Digital Control Module requires 120 volt outlet

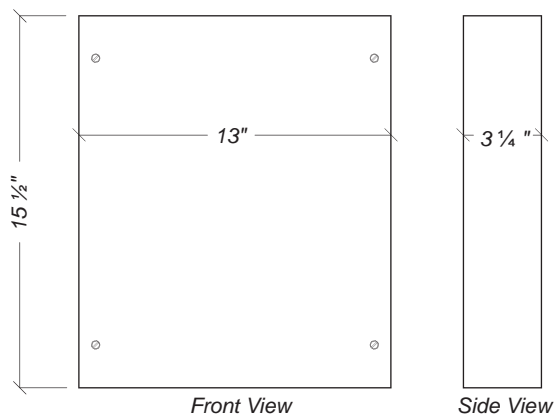
iPod Cradle requires a single gang electrical mounting box

AudioSense Option

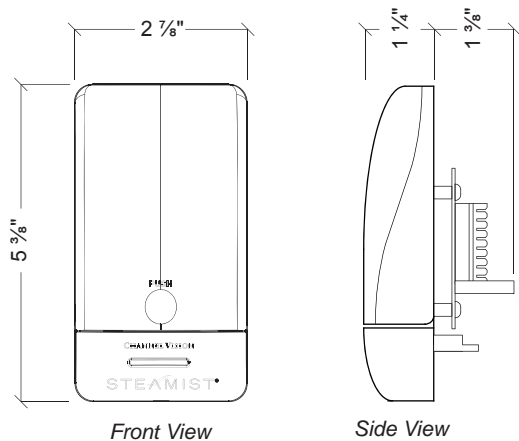


Dimensions

TSC Digital Control Module



iPod Cradle



Wiring Layout

Model: TSMU

