

STEAMIST®

Total Sense Remote Control Option

Model: TSR

Product Information – TSR

2-year parts warranty

Frequency 372.0 MHz

This device complies with Part 15 of the FCC Rules.

This device has not been approved for use in Canada.

Package Includes:

- (1) TSR Remote Control
- (1) TSR Receiver
- (1) 25' Control Cable
- (2) CR2032 Batteries

Required Equipment:

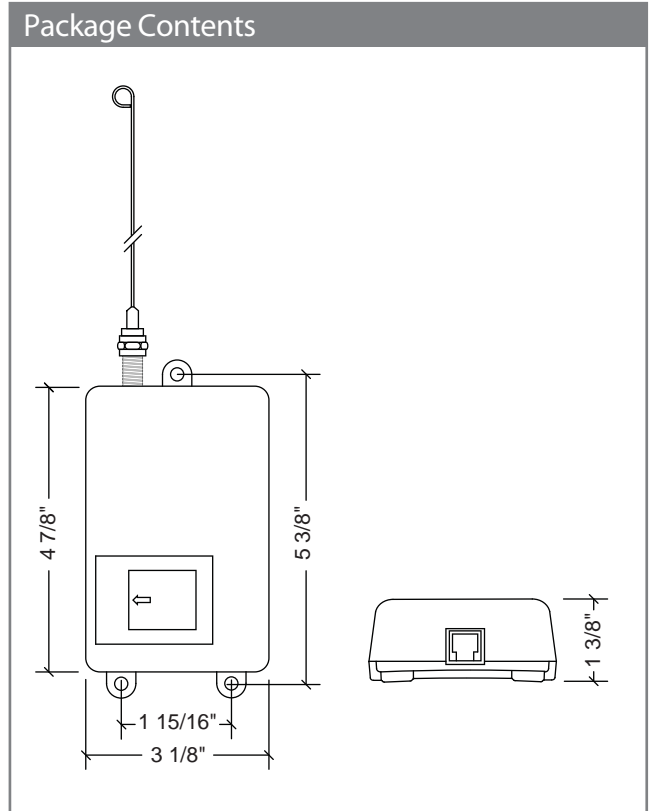
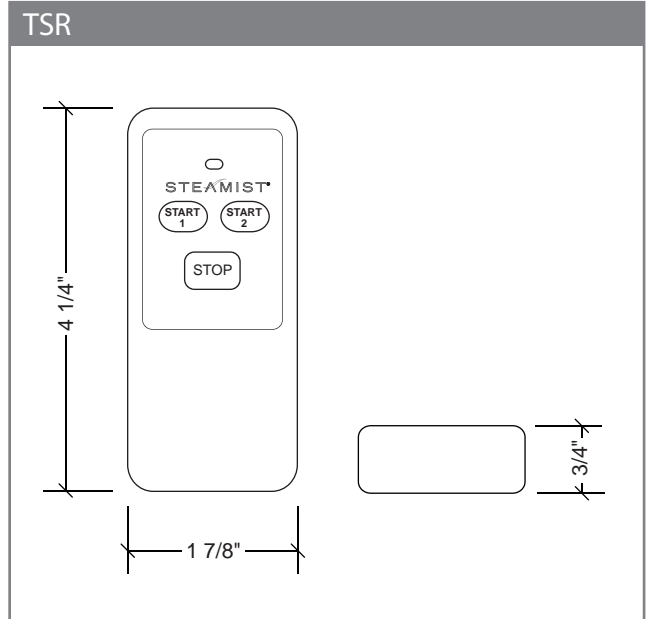
TSG generator, TSC Control

Installation Notes

Centrally locate receiver where transmitter is likely to be used.

Route cable to the TSG generator, TSA AromaSense Module, or TSC Digital Control Module.

Mount receiver securely on the wall.



Wiring Layout Model: TSR

