

# STEAMIST®

Steamhead

Model: 3199 and 3199M

## Product Information – 3199 and 3199M

**Material:** Brass

**Product No. - Finishes:**

**3199-PC** - Polished Chrome

**3199-PN** - Polished Nickel

**3199-BN** - Brushed Nickel

**3199-PB** - Polished Brass

**3199-PG** - Polished Gold

**3199-ORB** - Oil Rubbed Bronze

**3199-BB** - Brushed Bronze

**3199M-PC** - Polished Chrome

**3199M-PN** - Polished Nickel

**3199M-BN** - Brushed Nickel

## Notes

### Installation Notes

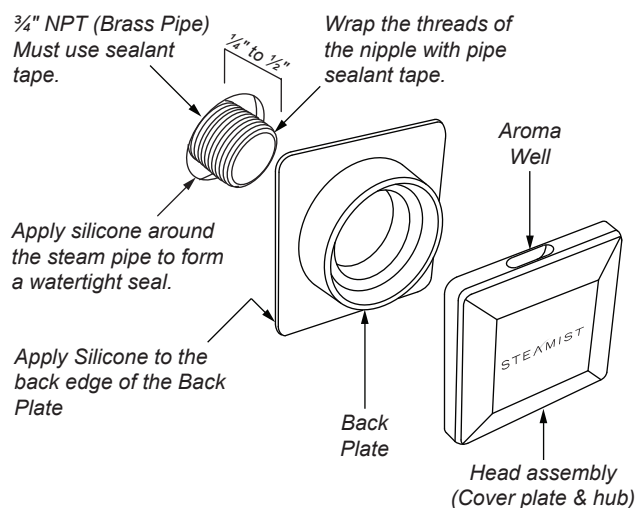
Steamline - 3/4" Copper or Brass NPT male thread.

### Rough-in Notes

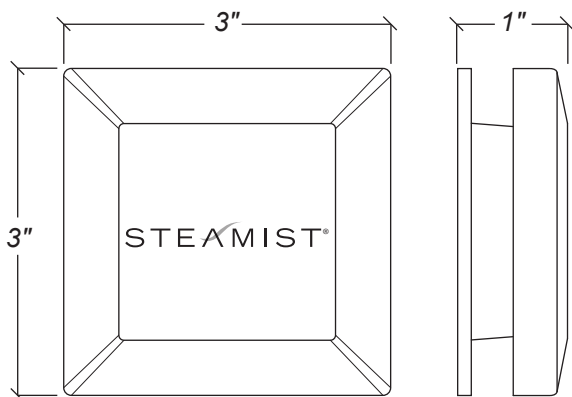
Steamline should protrude 1/4" to 1/2" from finished surface.

Steamhead to be mounted 12" to 18" above the finished floor or 6" above the rim of the tub and as far from the seating area as possible.

## 3199 Steamhead shown



## 3199 Steamhead Front and Side Views



## 3199M Steamhead Front and Side Views

