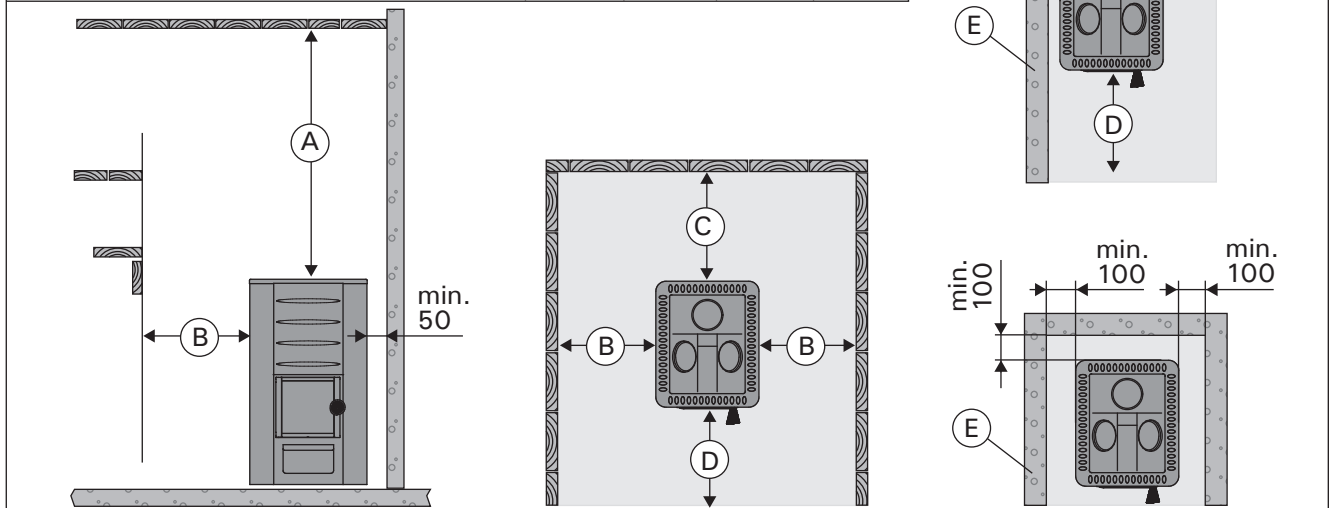
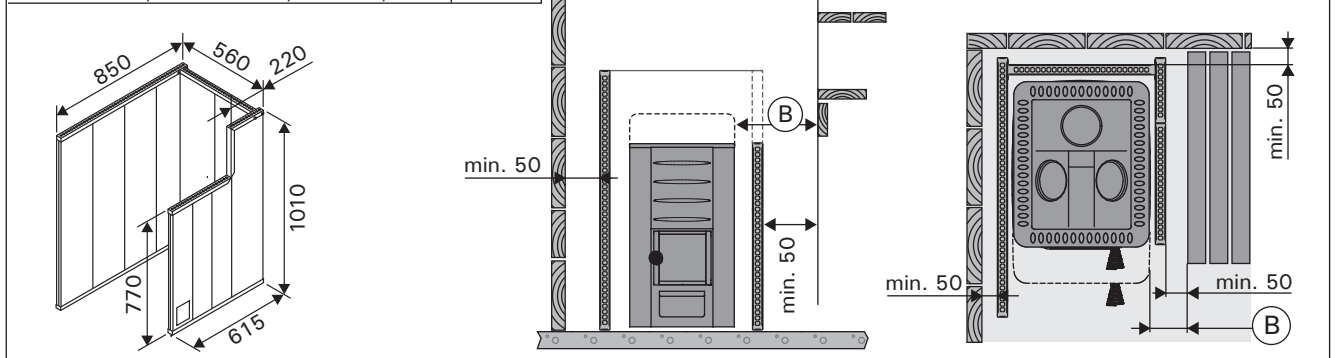


| | A min. | B min. | C min. | D min. |
|--|--------|--------|--------|--------|
| M1, M2, M3/SL, Classic 140 | 1200 | 250 | 300 | 300 |
| 20 Pro, 20 SL/Duo, 20 ES Pro/S20 Boiler, 20 SL Boiler, Premium/VS, Classic 220/Duo, 20 RS/LS Pro | 1300 | 300 | 300 | 300 |
| 26 Pro, Classic 280 | 1280 | 375 | 375 | 375 |
| 36, 36 Duo | 1250 | 500 | 500 | 500 |
| Linear 16, 16 | 1300 | 300 | 350 | 400 |
| Linear 22, 22/S, Linear 22 RS/LS/ES, 22 RS/LS/ES S | 1265 | 400 | 380 | 500 |
| Linear 28 | 1380 | 400 | 400 | 500 |

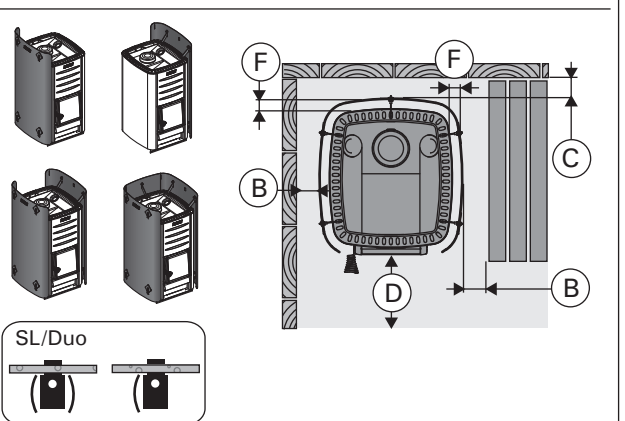


Safety distances (all dimensions in millimeters)

| WX017 | B min. |
|--|--------|
| M1, M2, M3/SL, 20 Pro, 20 SL/Duo, 20 ES Pro/S, 20 Boiler, 20 SL Boiler, Premium, Classic 140/SL, Classic 220/Duo | 300 |
| 26 Pro, Classic 280 | 375 |
| Linear 16, 16 | 300 |
| Linear 22/28, Linear 22 ES, 22 ES S, 22/S | 400 |



| | | B min. | C min. | D min. | F |
|-------------|---|--------|--------|--------|----|
| WL400/WL450 | M1, M2, M3/SL | 50 | 50 | 300 | 30 |
| WL500/WL550 | 20 Pro/SL/Duo 20 Boiler, 20 SL Boiler | 62 | 62 | 422 | 30 |
| WL600/WL650 | 20 ES Pro/S | | | | |
| WL700/WL750 | 26 Pro | 73 | 73 | 526 | 30 |
| WL800/WL850 | 36, 36 Duo | 90 | 90 | 700 | 30 |
| WL500/WL590 | 20 RS/LS Pro | 62 | 62 | 422 | 30 |
| WL425/WL475 | Linear 16, 16 | 30 | 30 | 400 | 32 |
| WL525/WL575 | Linear 22, 22/S | | | | |
| WL525/WL585 | Linear 22 RS/LS, 22 RS/LS S | 70 | 70 | 500 | 40 |
| WL530/WL580 | Linear 22 ES, 22 ES S | | | | |
| WL725/WL775 | Linear 28 | | | | |



Safety distances with protective sheaths (all dimensions in millimeters)