

STEAMIST®

Bilateral Steam Head Installation Instructions

Model: BLSH



Important: Locate Publication No. 199 "Steam Bath Important Safety Instructions". This publication includes a Warning label that the contractor must install on the wall near the entrance to the steam room in a highly visible location. This label and its additional safety information are packaged with the generator in the envelope containing the installation instructions. If it is lost or missing contact Steamist (201-933-0700) for a replacement Publication No. 199. This publication along with all documents must be left with the owner.

IMPORTANT: To use the Bilateral Steam Head, make sure the steam room wall studs are exposed to allow for proper installation. If the walls are fully finished and studs are not accessible, please use a different type steam head, model# 3199.

NOTE: For maximum comfort the Bilateral Steam Head should always be located as far from the seating area as possible.

1. The Bilateral Steam Head location should be 12" to 18" above the shower floor or 6" above the rim of the bathtub, as far from the seating area as possible. Do NOT install the steam head directly below the temperature/user control. For optimum performance, install the steam head on the wall opposite or adjacent and as far as possible from the temperature/user control.
2. If the steam generator is located above or on the same level as the steam head, install the steam head with the threaded connection at top (See Figure 1). If the steam generator is located below the steam head, install the steam head with the threaded connection at the bottom (See Figure 2).
3. Rough in the steam line using a minimum of a 3/4" copper or brass pipe. Do NOT use black iron or galvanized pipe, it will rust and discolor the wall of the steam room. Do NOT use CPVC or any plastic type pipe, fitting or water type line as the steam pipe.
4. Place the Bilateral Steam Head between wall studs (See Figure 3). Make sure that the front lip is placed in such way that it will be flush with the final wall material such as Tile or Stone (See Figure 5). If you are uncertain of the Tile/Stone thickness at the time of install, the front lip of the steam head may be slightly recessed back into the wall but must NOT be placed behind Backer Board and cannot protrude past front of Tile (See Figure 4).
5. Make sure the Bilateral Steam Head is level, left to right and front to back (See Figure 3).
6. Secure the Bilateral Steam Head to wall studs using 8 screws or nails.
7. Connect the 3/4" copper or brass pipe to the Bilateral Steam Head.
8. Remove the Front Face Cover by sliding it out of the Bilateral Steam Head. It will not be needed until step #13.
9. Proceed with steam room construction by insulating the walls and installing Backer Board onto the wall. Make sure to leave a proper size cutout in the Backer Board for the Bilateral Steam Head. Do NOT leave a large gap between the Backer Board and the Bilateral Steam Head.
10. Apply Silicone Sealant between the Backer Board and the outer edge of the Bilateral Steam Head (See Figure 4).
11. Complete the wall construction with Thin Set and Tile/Stone. Make sure to leave a proper size cutout in the Tile/Stone for the Bilateral Steam Head. Do NOT leave a large gap between the

Tile/Stone and the Bilateral Steam Head.

12. Apply Silicone Sealant between the Tile/Stone and the outer edge of the Bilateral Steam Head (See Figure 5).

NOTE: Make sure there are absolutely no air gaps between the outer edges of the Bilateral Steam Head and the final wall material. If air gaps are left, steam will leak between wall construction and cause water damage to foundation.

13. Insert Front Face Cover (from step #8) back into the Bilateral Steam Head. Push it in until it makes contact with the wall.

14. Apply dabs of Silicone Sealant between the Left and Right edges of the Front Face Cover and the wall Tile/Stone to make sure the Cover does not slide out.

Figure 1 (Pipe connection at top)

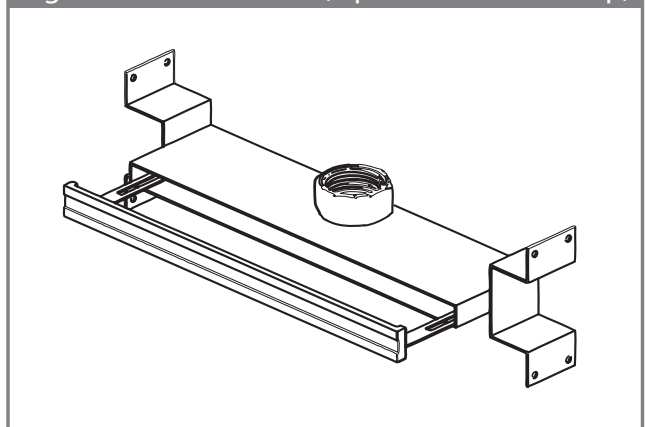


Figure 2 (Pipe connection at bottom)

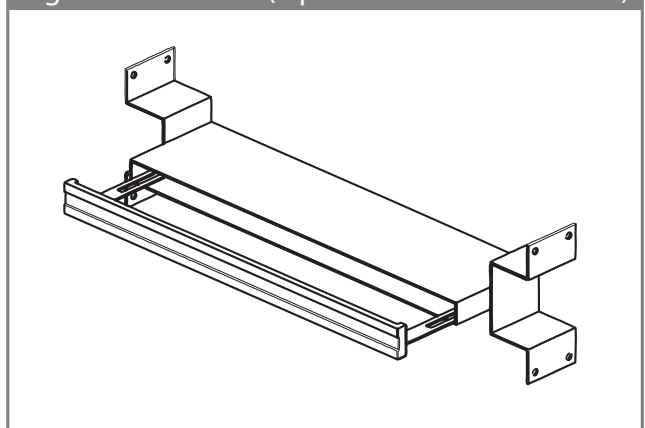
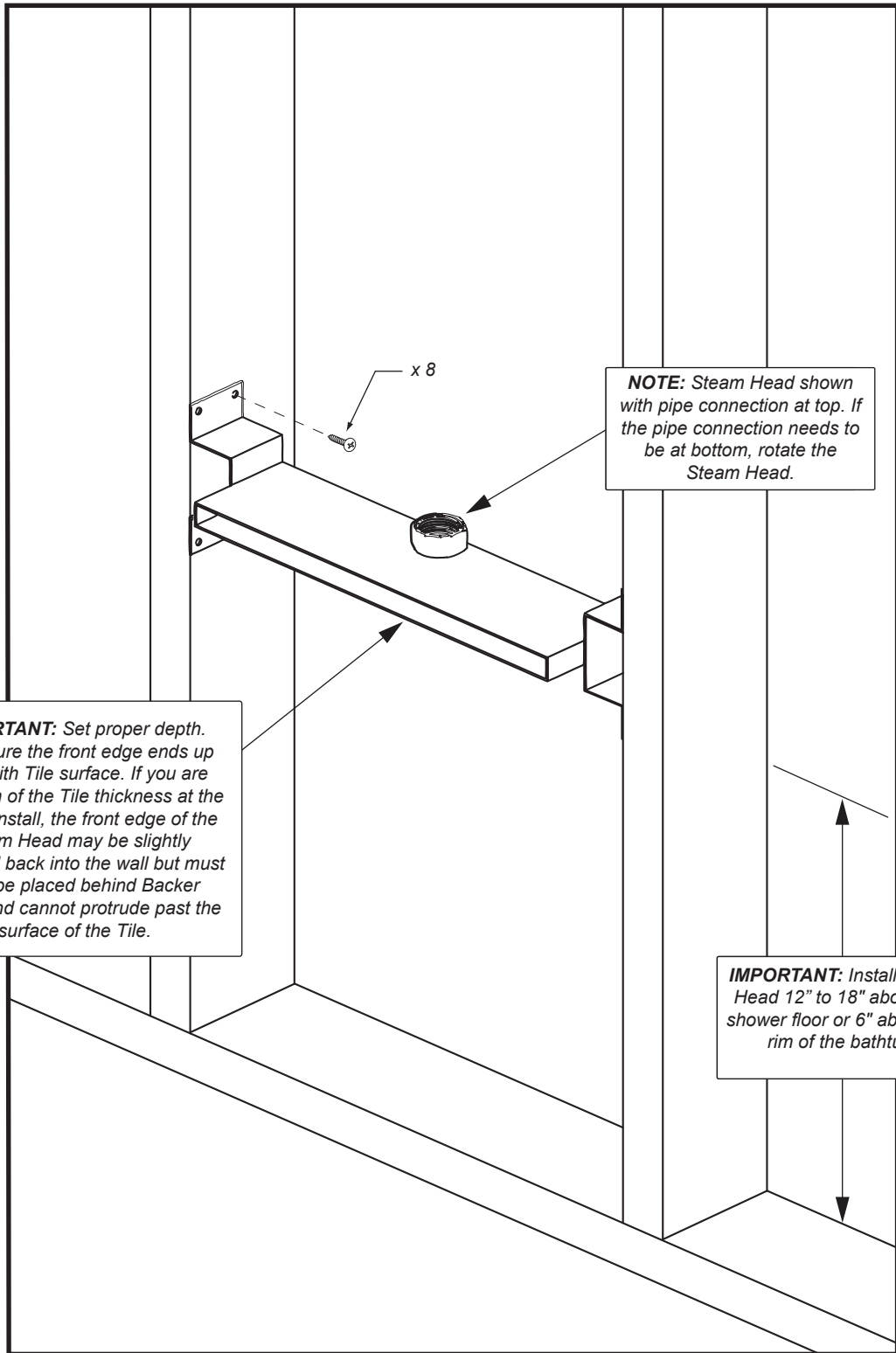


Figure 3



IMPORTANT: Set proper depth. Make sure the front edge ends up flush with Tile surface. If you are uncertain of the Tile thickness at the time of install, the front edge of the Steam Head may be slightly recessed back into the wall but must NOT be placed behind Backer Board and cannot protrude past the surface of the Tile.

NOTE: Steam Head shown with pipe connection at top. If the pipe connection needs to be at bottom, rotate the Steam Head.

IMPORTANT: Install Steam Head 12" to 18" above the shower floor or 6" above the rim of the bathtub.

Figure 3

Figure 4

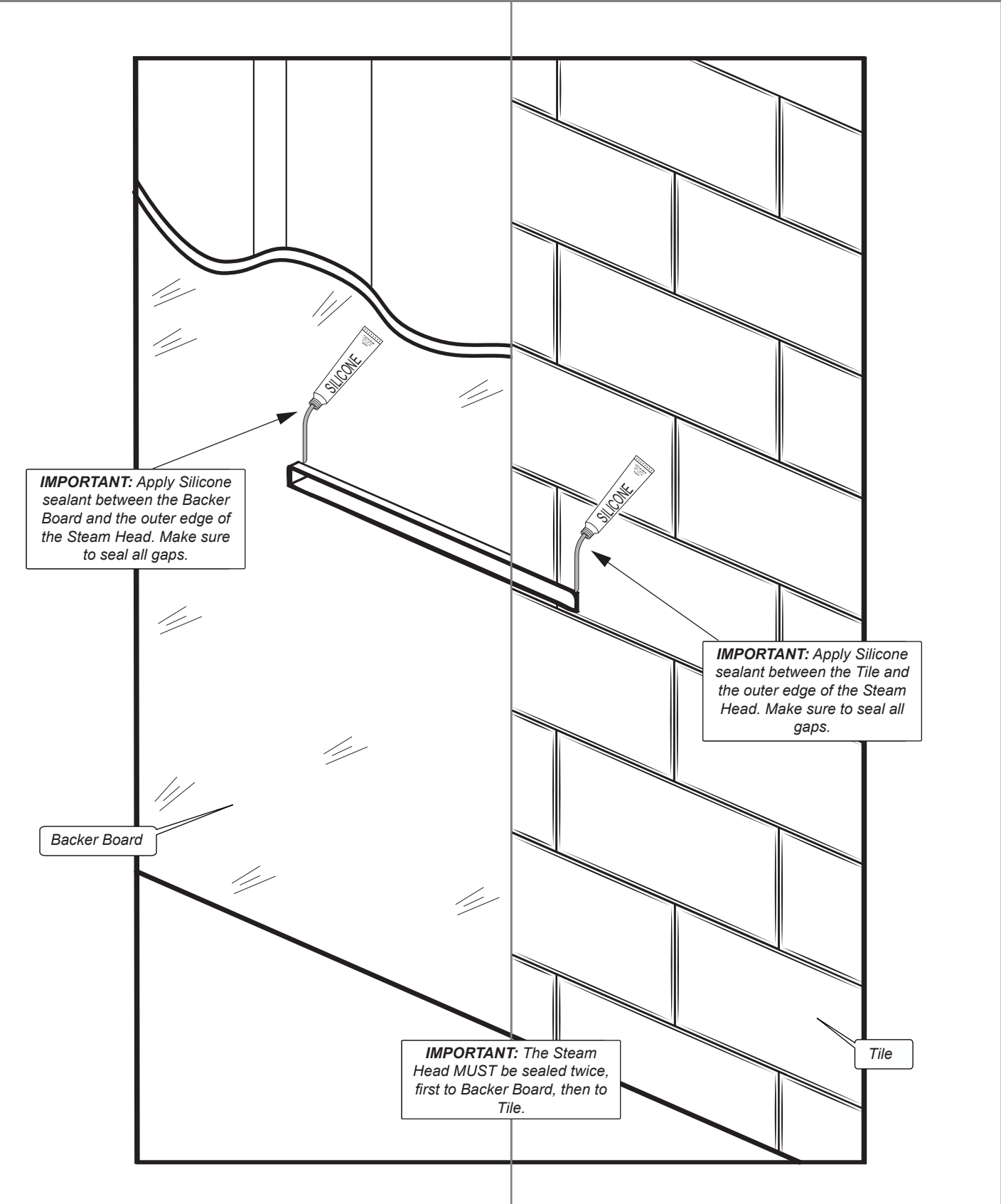


Figure 5

