

STEAMIST®

Commercial Chroma Therapy Additional Light Instructions

Model: TSCH-ADDL-HC

NOTE: This device only works as an Additional Light, in conjunction with the Model# TSCH-HC (primary) Light (purchased separately). It will NOT work as a stand alone Light.

Commercial Chroma Therapy Additional Light (TSCH-ADDL-HC):

The TSCH-ADDL-HC features a white light for general lighting of the shower plus the ability to display colors. The white light, neutral in color, is equivalent to approximately a 50 watt down light. The TSCH-ADDL-HC module MUST be connected in line with the TSCH-HC (primary) Light and will work together with it from a non-powered light switch outside the steam room.

A) TSCH-ADDL-HC Installation:

1. Select a location in the ceiling for the TSCH-LED light installation and make a 3-1/2" hole for the light in this location (Figure 2).
2. Select a location to mount the TSCH-SLV. The TSCH-SLV module requires a 120V outlet nearby to power the light and MUST be accessible for service.
3. Route the light cable (25' provided) from the TSCH-SLV to the hole for the light. Plug the cable into the TSCH-SLV. Plug the other end into the light and mount the light into the ceiling, by folding the spring clips back while inserting it into the mounting hole.

B) TSCH-HC Multi Light Ganging Instructions:

1. In addition to purchasing the TSCH-ADDL-HC (as the additional Light) a primary TSCH-HC light will need to be purchased to allow multi-light use.
2. Once each TSCH-COMM, TSCH-SLV and TSCH-LED's are installed and connected individually, connect the supplied 10' Control Cable from one light to the other (Figure 6). There are two Telco jacks on each TSCH-COMM and each TSCH-SLV, it does not matter which cable plugs into which jack (Figure 3).
3. The wires from the Light Switch MUST only be connected to the TSCH-COMM (Figure 6).
4. Connect the 12 Volt Class 2 Power Supply and plug into an outlet when the rest of the system has been installed.
5. After everything is fully tested apply silicone (provided) around the fixture to seal it.

WARNING: Do NOT use any other Power Supply than the included 12VDC Class 2 Power Supply provided by Steamist.

Figure 1 TSCH-SLV & TSCH-LED

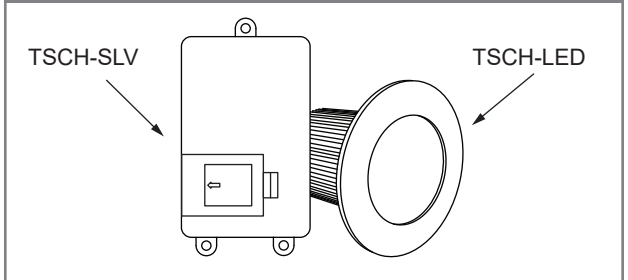
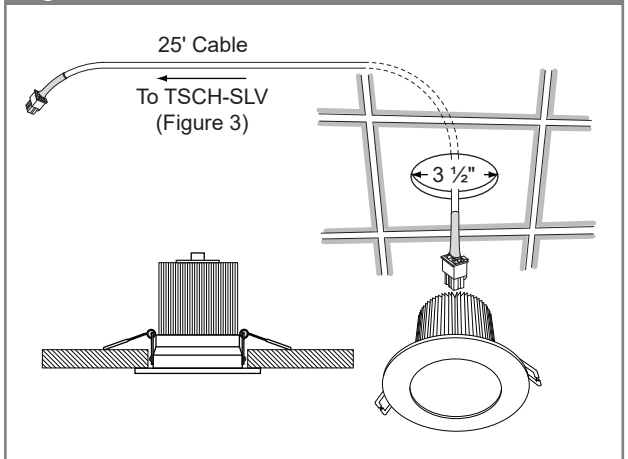


Figure 2 TSCH-LED



Commercial Chroma Therapy Additional Light Instructions

Model: TSCH-ADDL-HC

C) TSCH-ADDL-HC Operation (same as TSCH-HC):

1. The light switch which is connected to the TSCH-HC (primary) light is used to both turn the lights on and off and to select the color mode. The lights will remember the last color selected as long as power is not lost.
2. When the lights are powered up for the first time or if power is restored after a power failure the lights will first light up white. White is the first color in the sequence of 9 different colors modes.
3. Switching the light ON (for less than 6 seconds) and back OFF will switch the lights to the next color mode. Switching the light ON for more than 6 seconds will remember the last color used and will now start with that color when the lights are turned back on the next time.
4. The color sequence in order is: white, red, orange, yellow, green, blue, indigo, purple and the last color mode will cycle through all the Chakra colors except white.
5. When the lights cycle through the Chakra color spectrum, they will stay on each color for approximately 5 seconds fading from one color to the next. The colors that rotate through are, red, orange, yellow, green, blue, indigo, purple and back to red, in that order.

D) Diagnostics Lights (Figure 4):

1. The Red power LED will be lit whenever the Power Supply is plugged into a live 120V wall outlet.
2. LED 2 blinks out the version# of the device at power-up only.

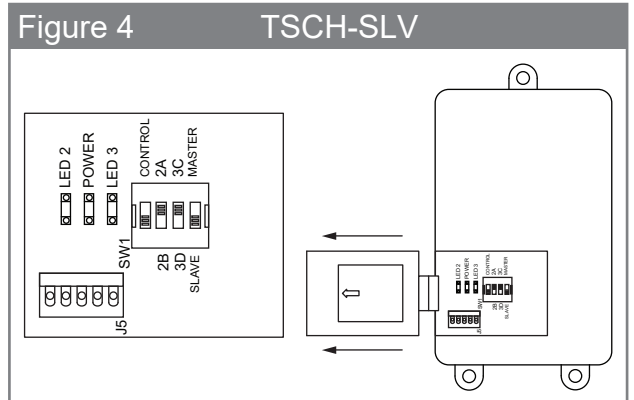
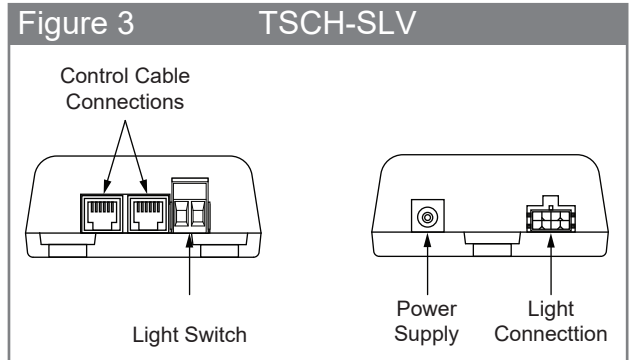


Figure 5 - Multi Light Ganging Connection

TSCH-ADDL-HC

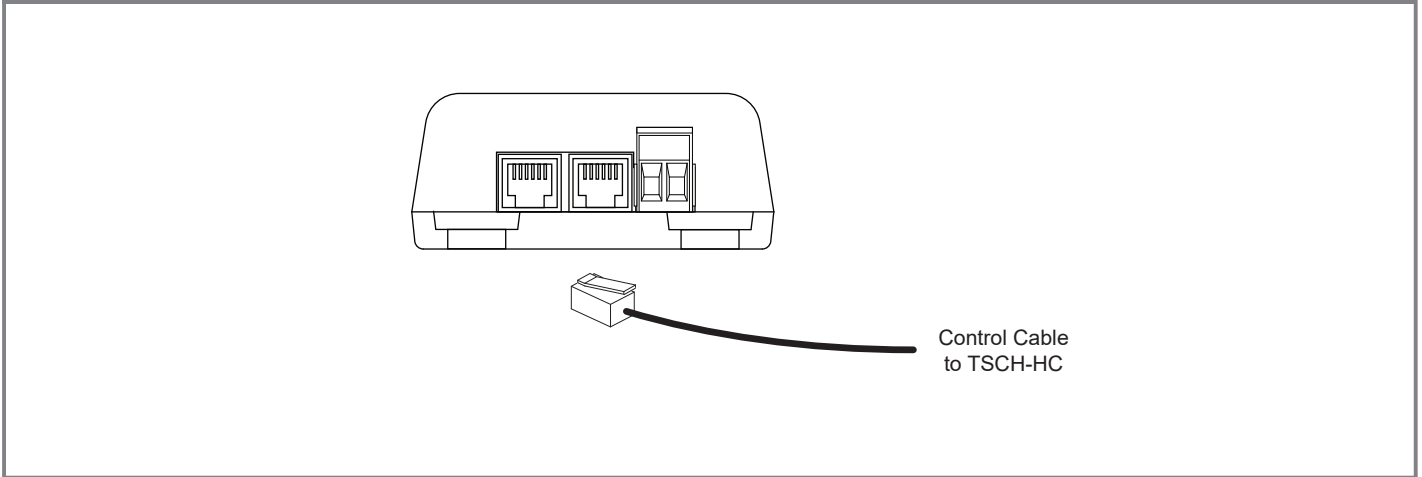


Figure 6 - Light Switch and Ganging Connections

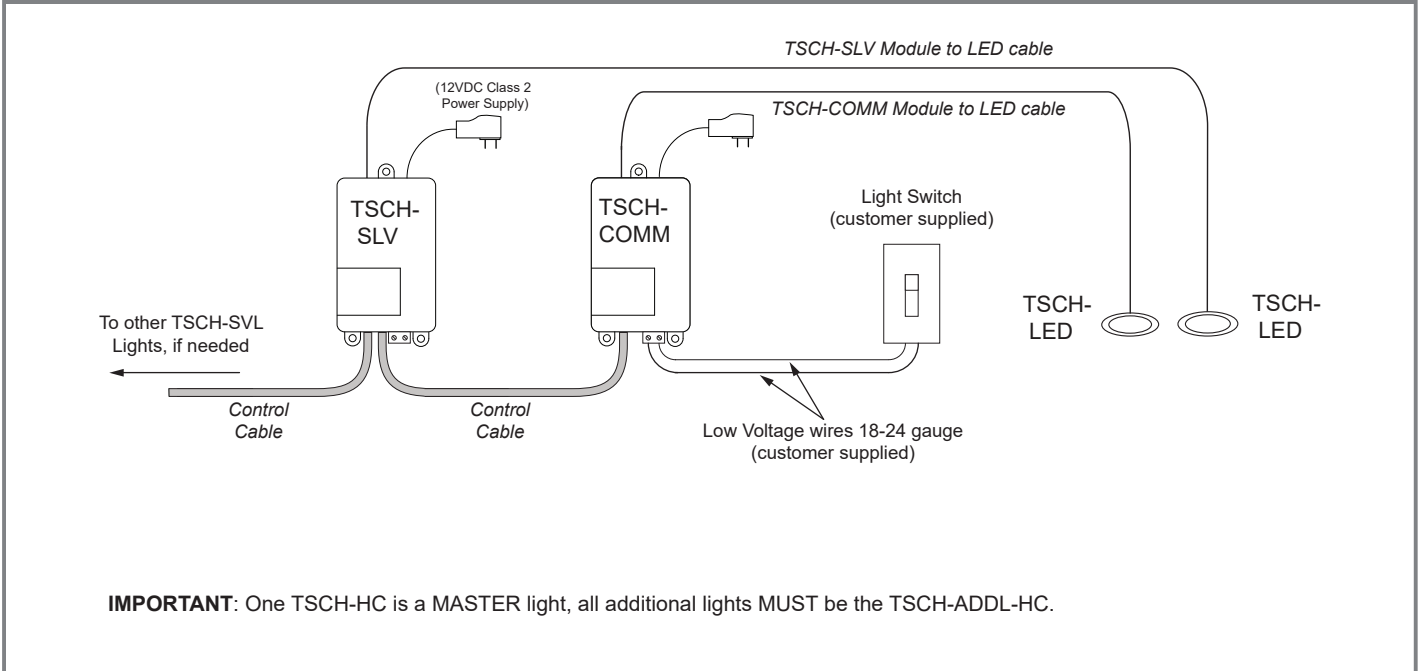


Figure 7 - Wiring Diagram

Models: TSCH-ADDL-HC

