

Stephanie

Steam Shower Luminaire



Model: SSB-350
Installation Instructions

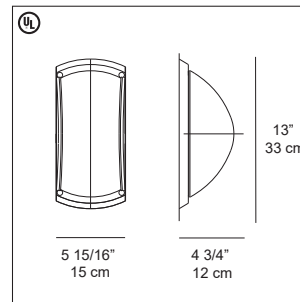
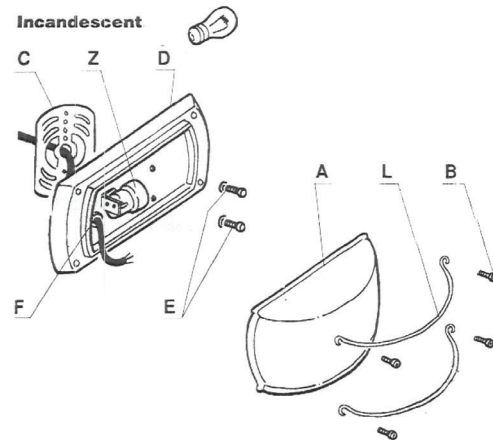
Stephanie - Steam Shower Luminaire

Installation Instructions

Warning: Switch off the power supply before installing equipment.

Warning: Do not mount the wall lamp with lamp support turned downwards

1. Remove the diffuser (A) means of the four screws (B).
2. Then remove the adapter (C) from the base (D), loosening the two screws (E). With a tool, pierce the diaphragm in the ferrule (F) placed on the base (D).
3. Mount the fixture to the wall/ceiling junction box.
4. Run the wires coming from the walls through the central hole in the adapter (C). Protect them in advance with provided sheaths.
5. Pull the wires through the ferrule (F) on the base (D).
6. Fix the base to the adapter (C) by means of the two washers and screws (E).
7. Make the electric connection. **Connect wires as such: white to white, black to black, green to system ground.**
8. Be sure that your bulb doesn't exceed specified maximum wattage then place the bulb in the relative lampholder (Z) (1 x 75W E26/A19 is recommended).
9. Replace the diffuser (A) on the base (D) fixing it with the tie rods (L) and the four screws (B), taking care that the seal is such as to guarantee adequate pressure in the gasket without risk of breaking the glass.

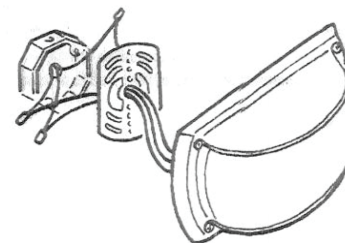


Installation for Wet Location

Once fixture is installed apply a uniform bead of silicone caulking compound around the periphery of the fixture body where it makes contact with the mounting surface.

Before connecting the cables, protect the wires running through the wall with the supplied sheaths. The wires running through the wall **must** be protected with the provided sheaths.

Important: Do not powerwash or spray cold water on glass diffuser while hot. Diffuser may crack. Wash with warm water only after diffuser cools.



Distributed By
Accurate Industries
www.accurateindustries.com
(800) 977-8326