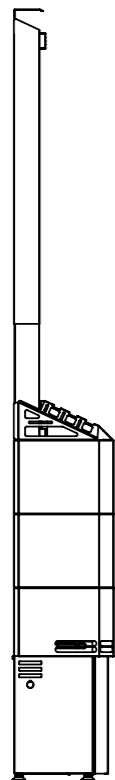




Saunum Air – Quick Assembly Guide

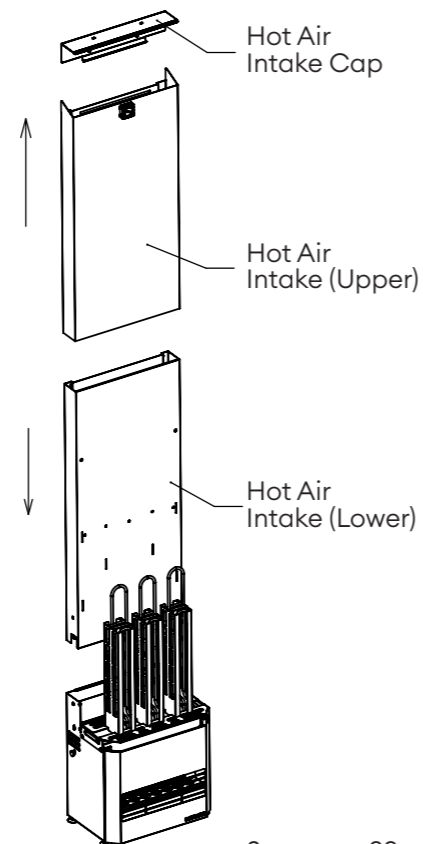


1. Locating your Saunum Air



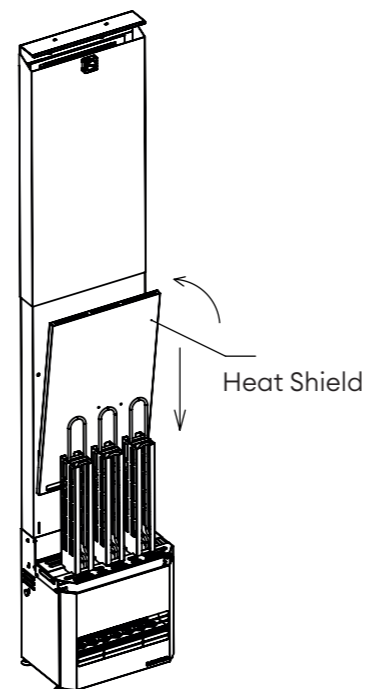
See pages 16-17

2. Install hot air intake



See page 22

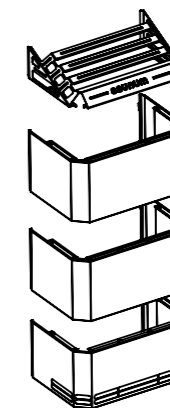
3. Heat shield installation



See page 23

4. Stone basket sections

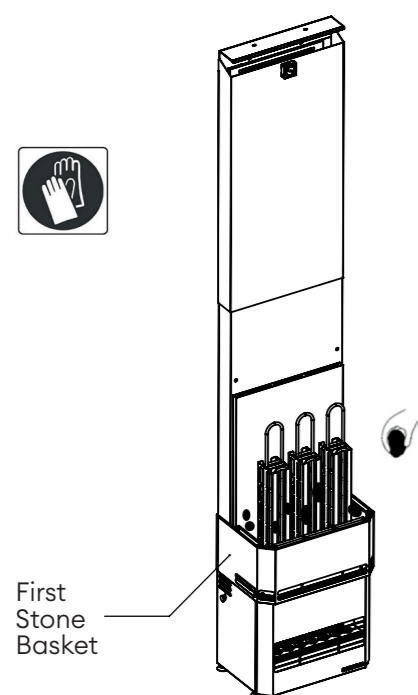
Solid Steel Stone Basket



Stainless Steel Stone Basket

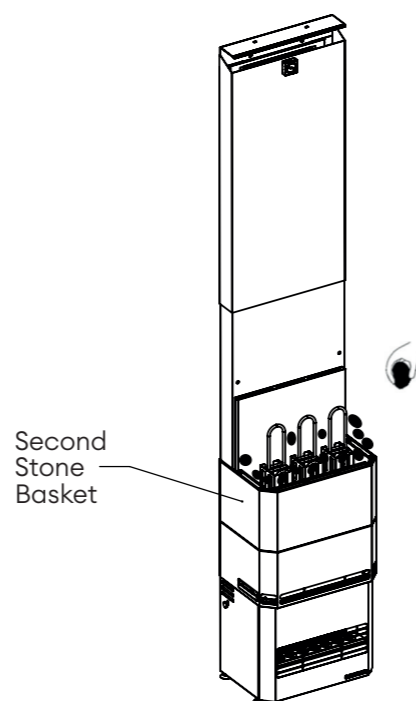


5. Installing stones and baskets (one by one)



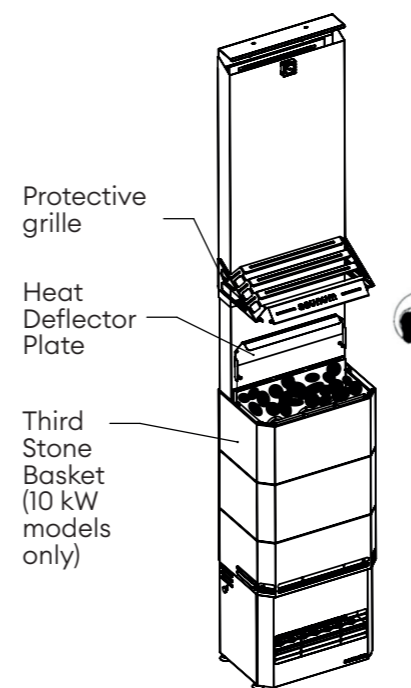
See page 23

6. Attaching and filling the second stone basket



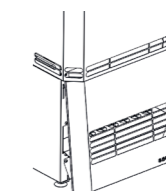
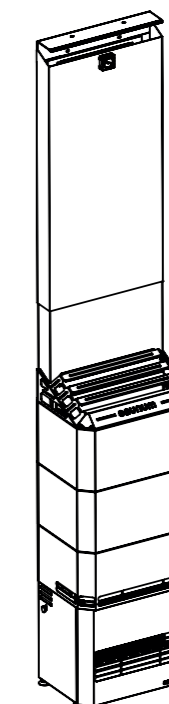
See page 24

7. Third basket and protective grille

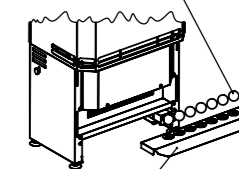


See page 23

8. Himalayan salt



Himalayan Salt



Himalayan Salt tray

See page 25