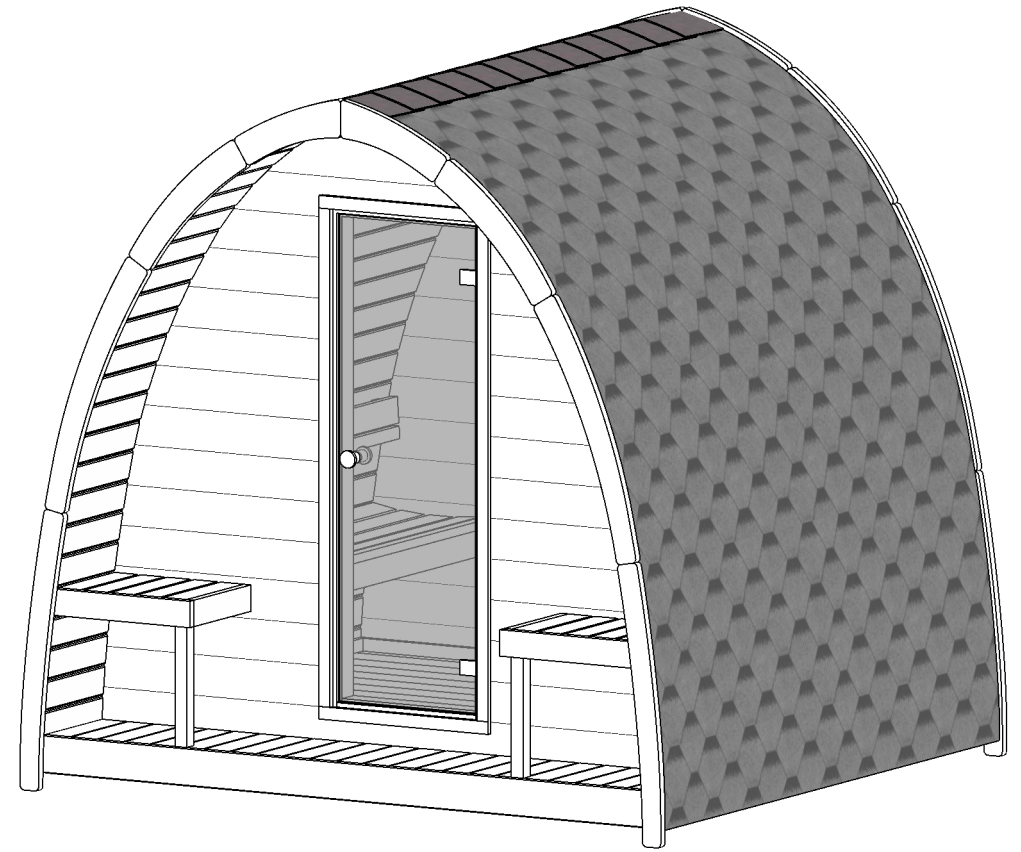
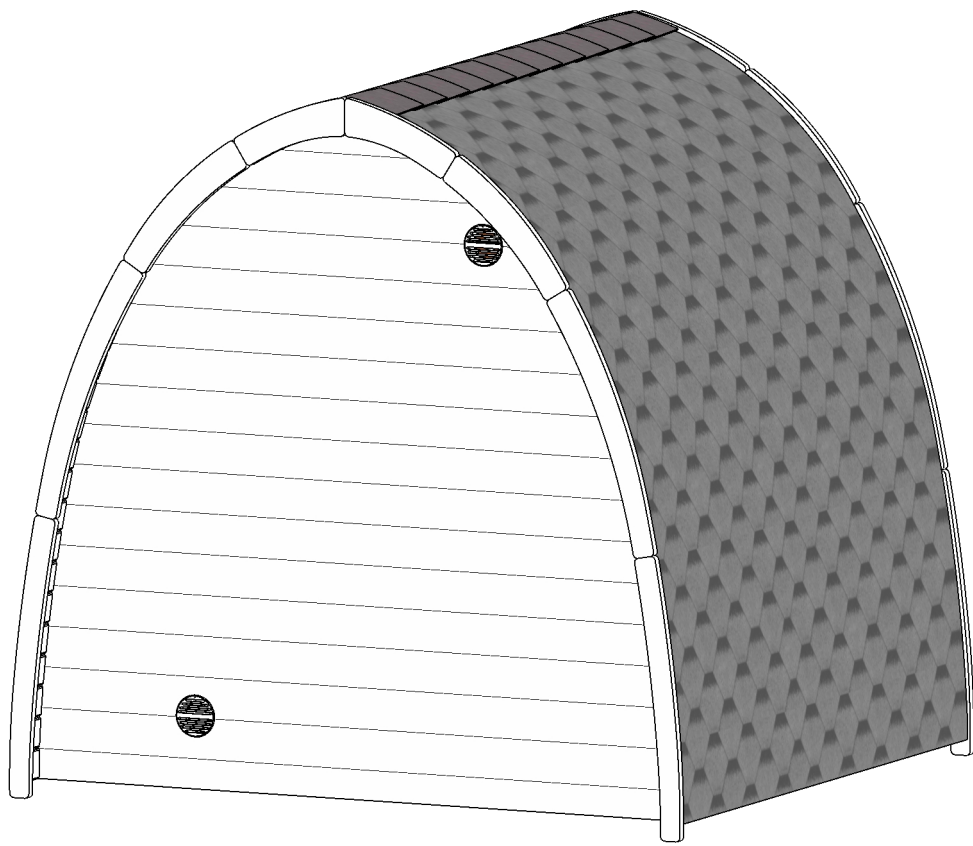


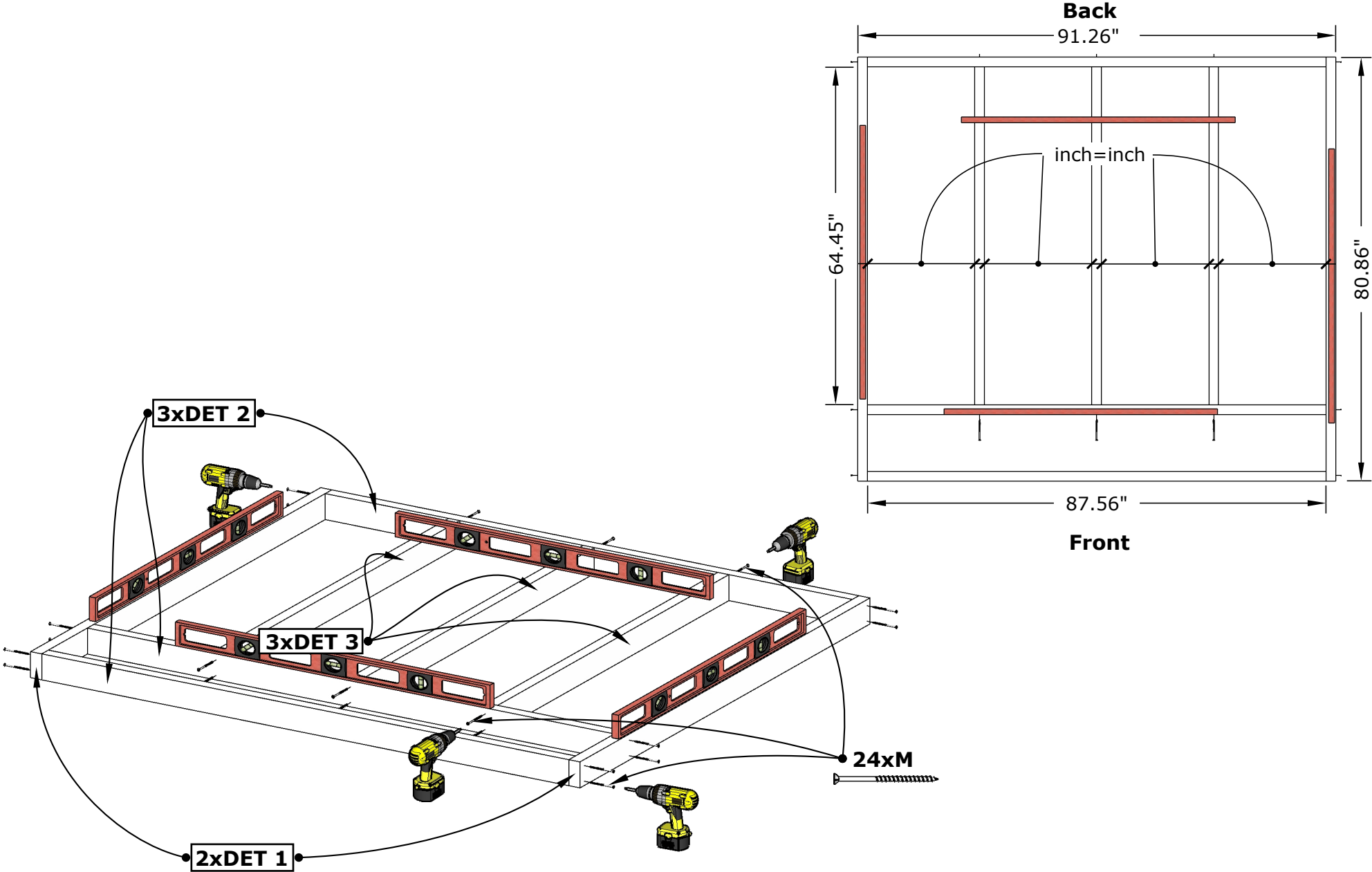


## Garden-Series G3 Outdoor Sauna





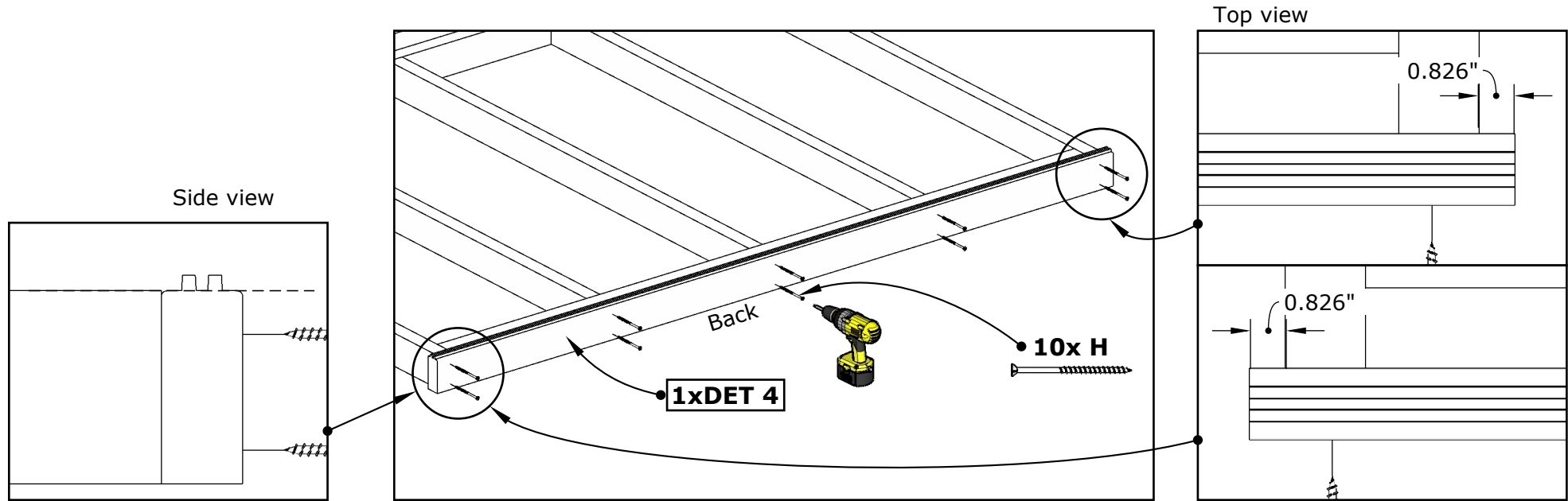
# G3 Outdoor Sauna



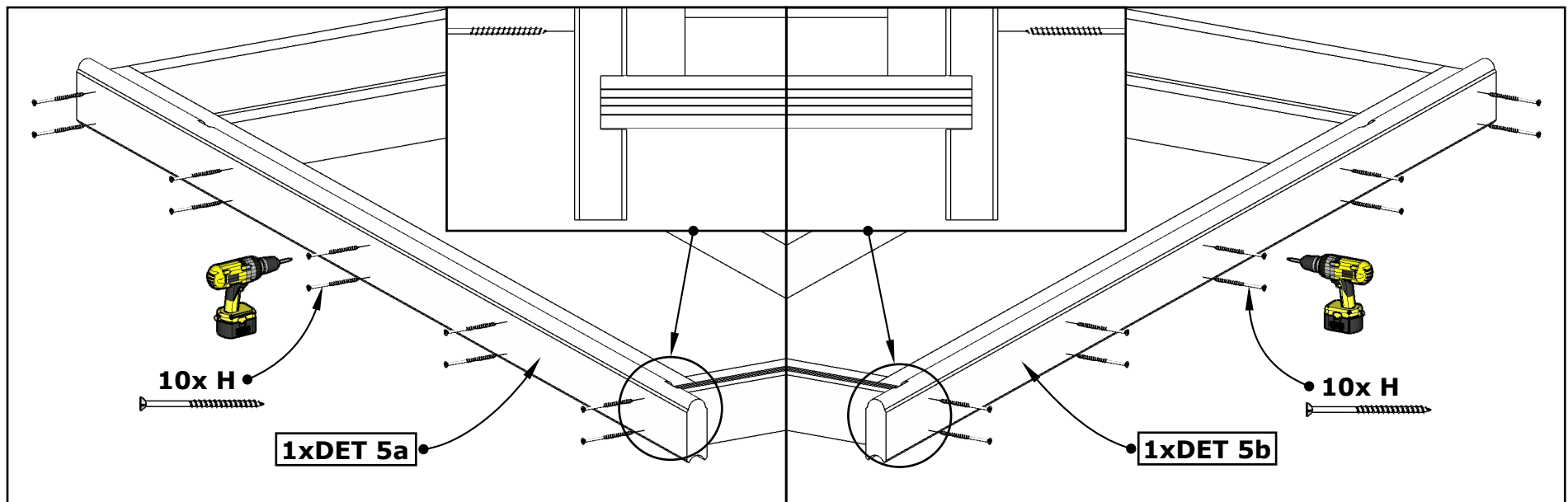
1.

I

# G3 Outdoor Sauna



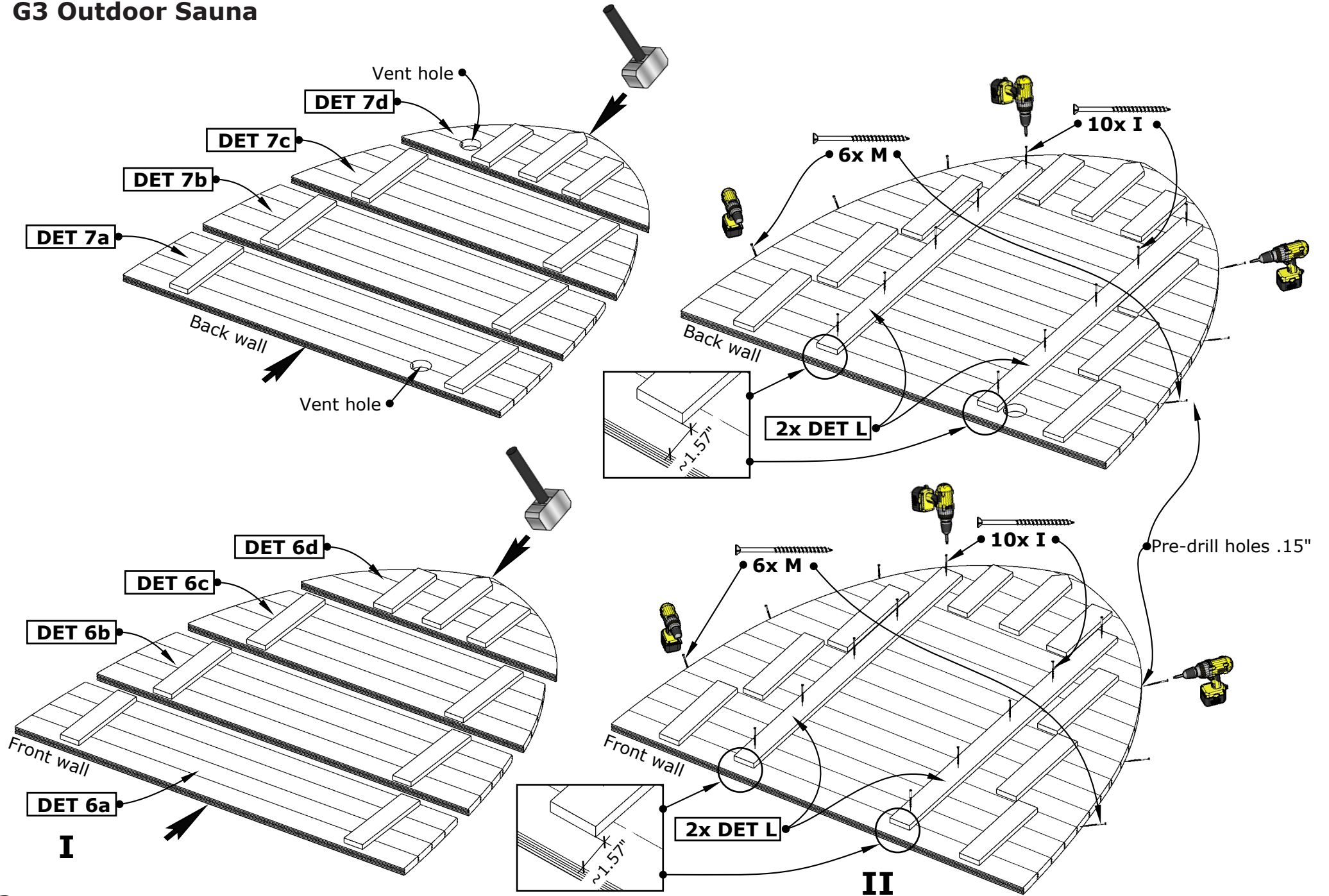
**I**



**II**

**2.**

# G3 Outdoor Sauna



3.

# G3 Outdoor Sauna



Use water level!

1x DET 5a  
1x DET 5b

Fix temporarily to support walls.

4x H

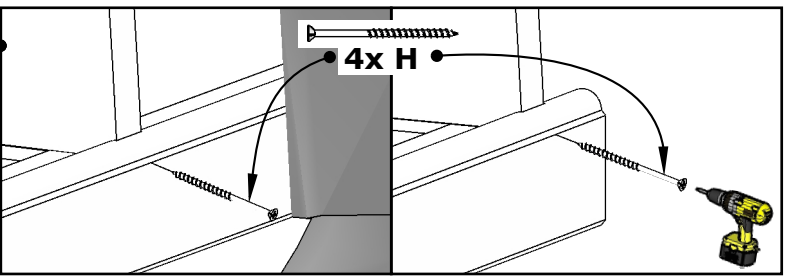
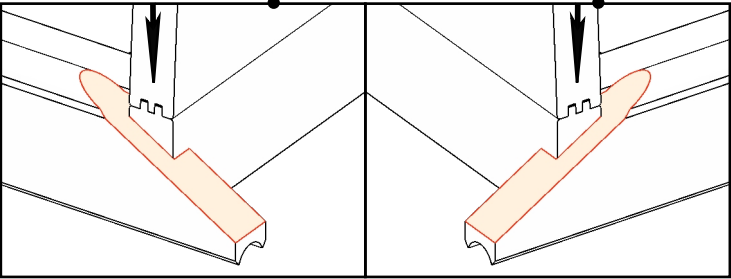
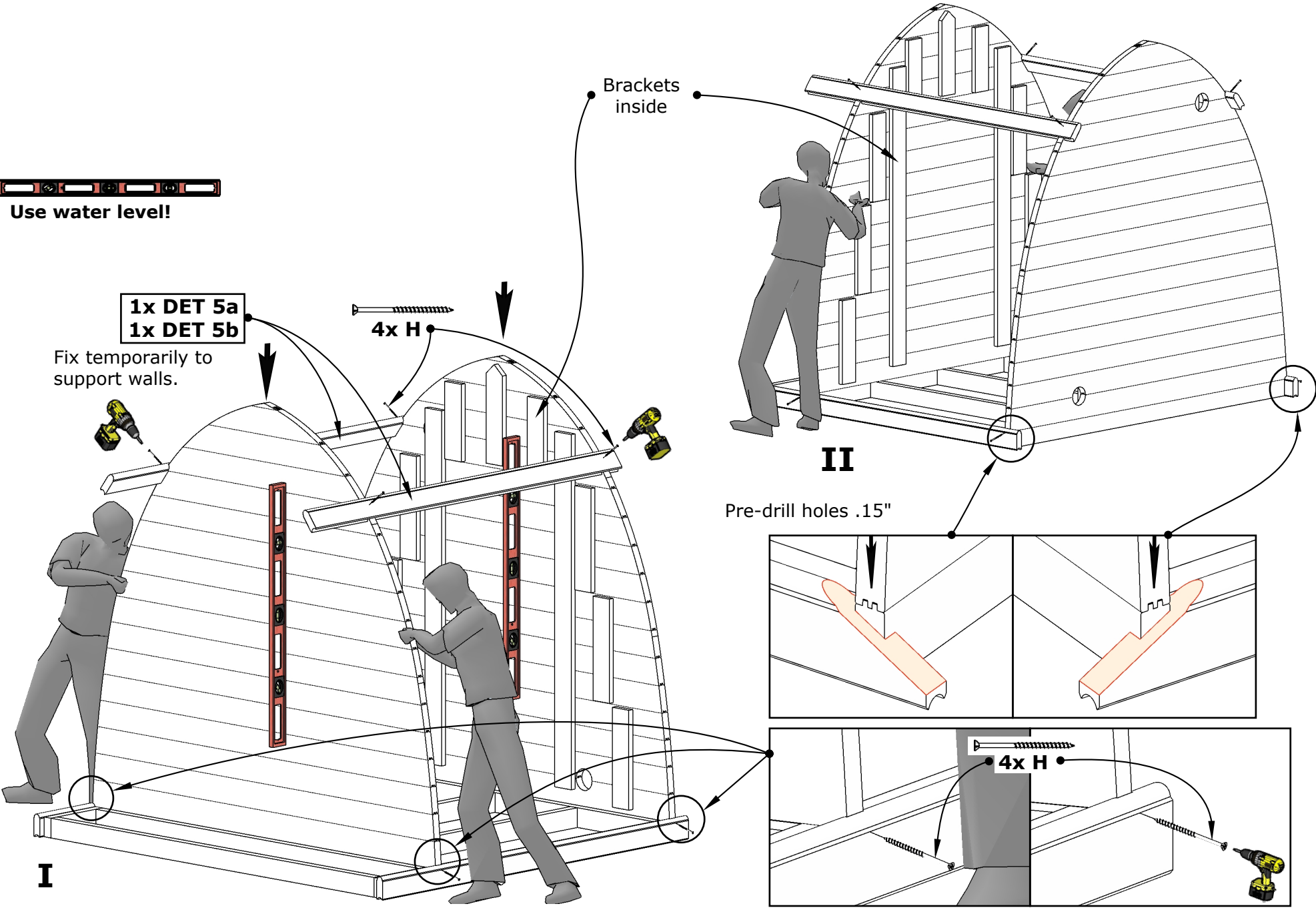
Brackets inside

II

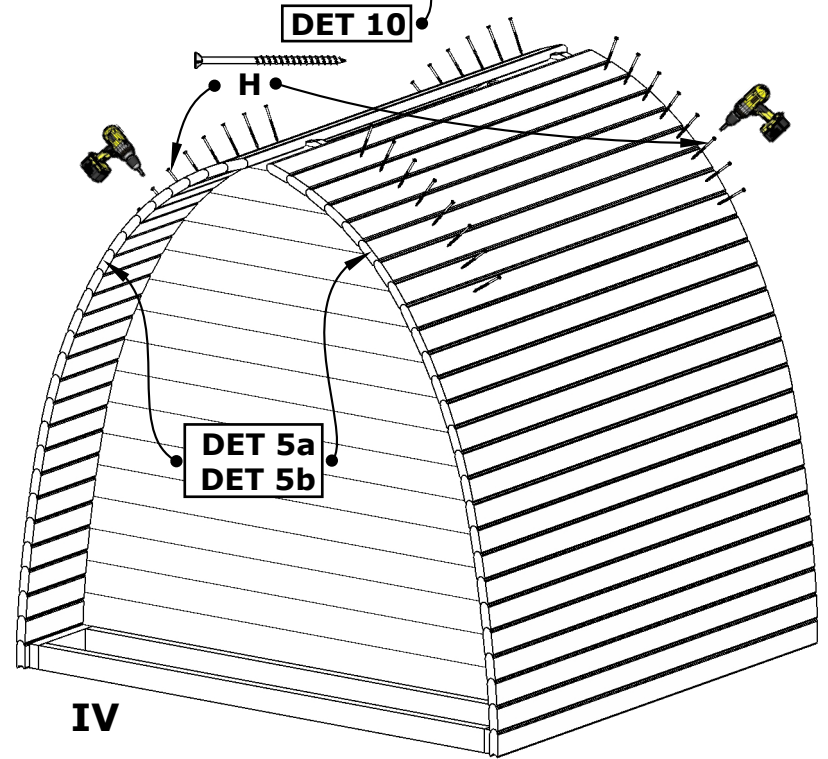
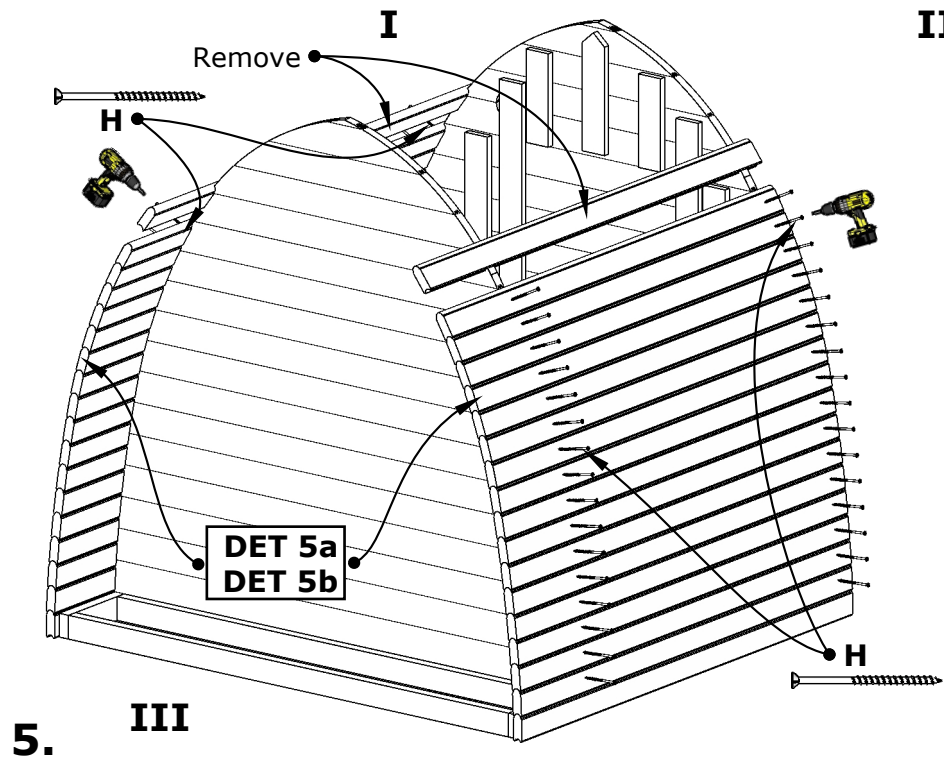
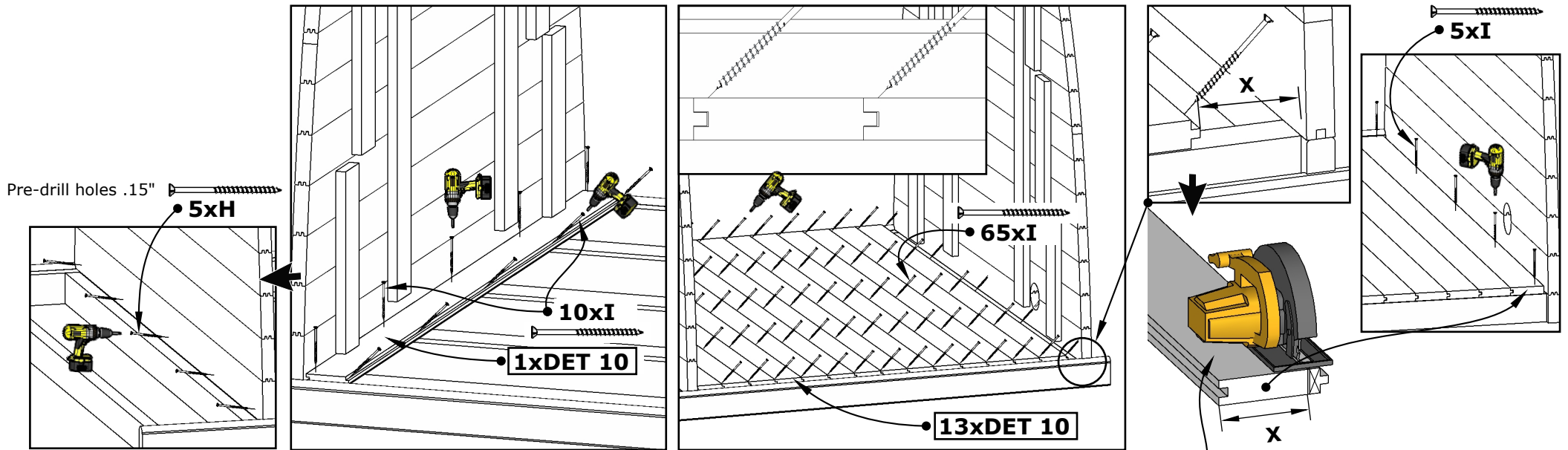
Pre-drill holes .15"

I

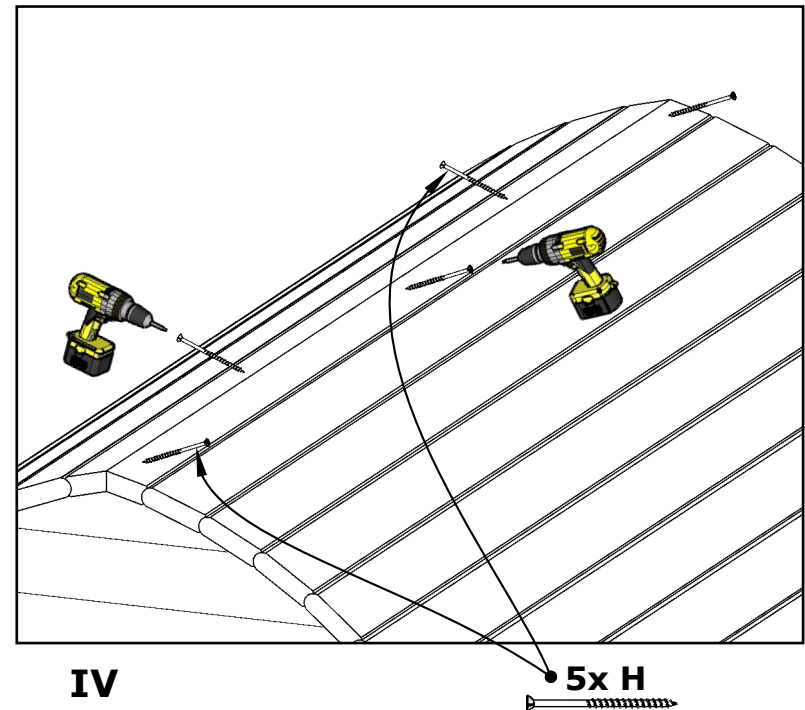
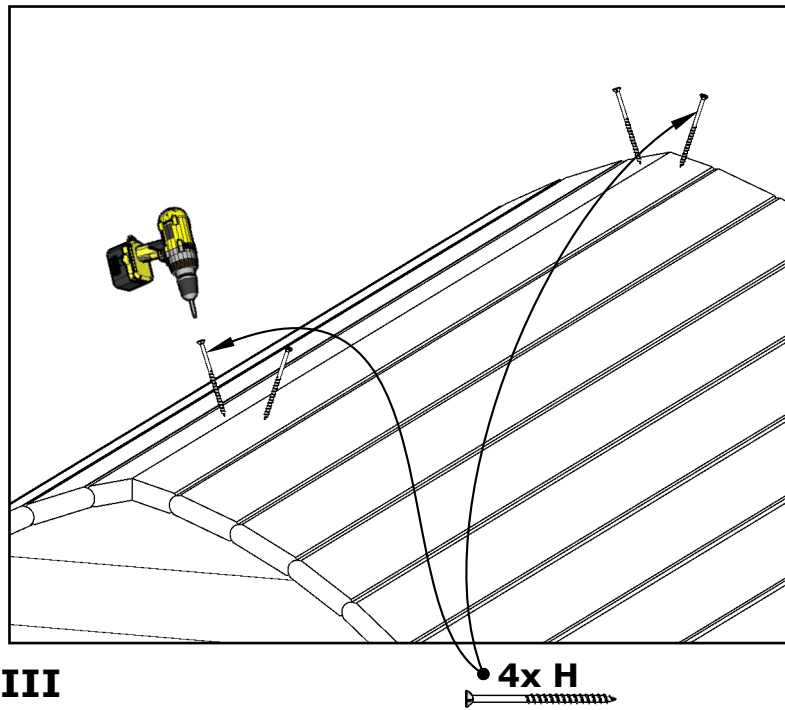
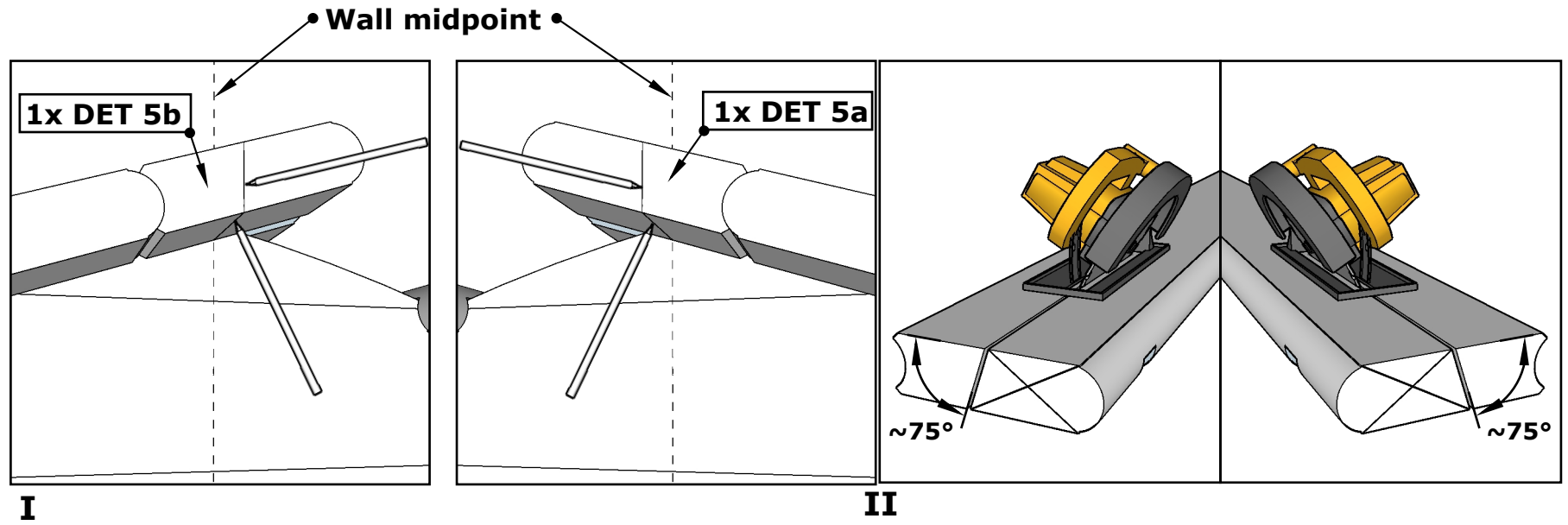
4.



# G3 Outdoor Sauna



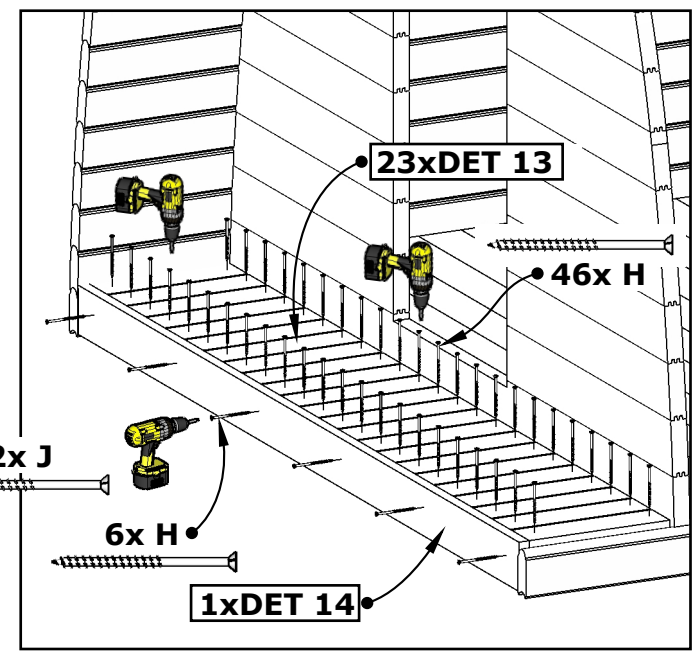
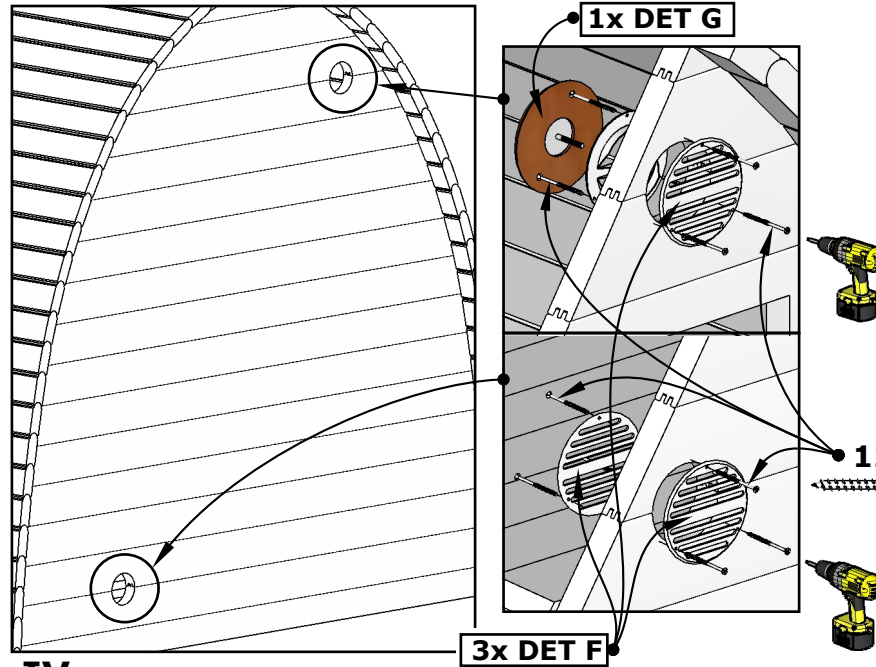
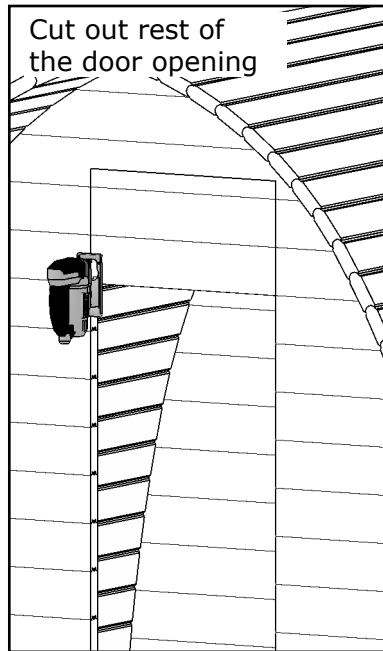
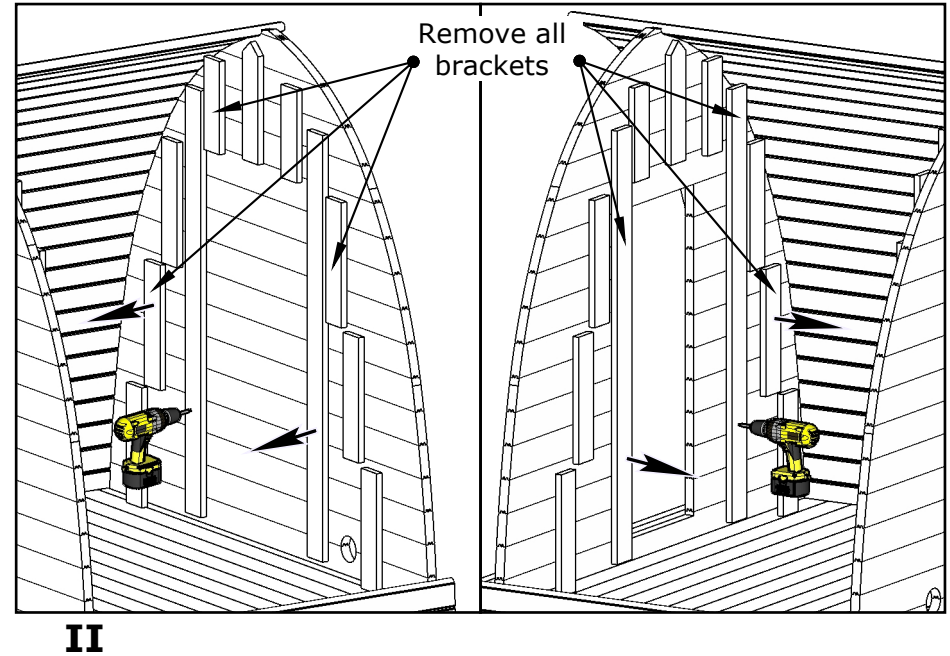
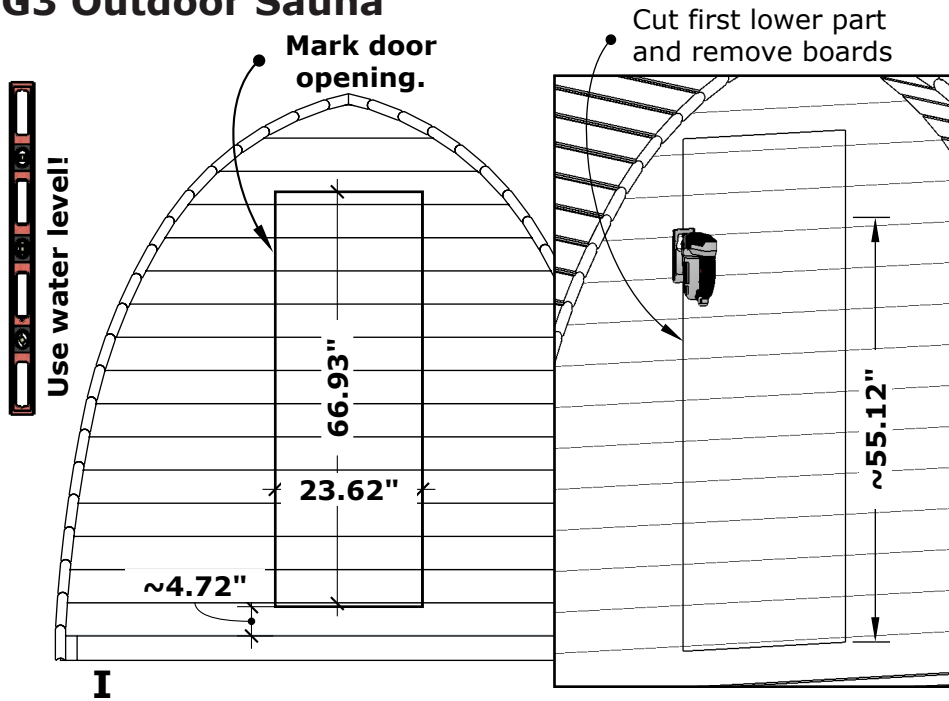
# G3 Outdoor Sauna



6.



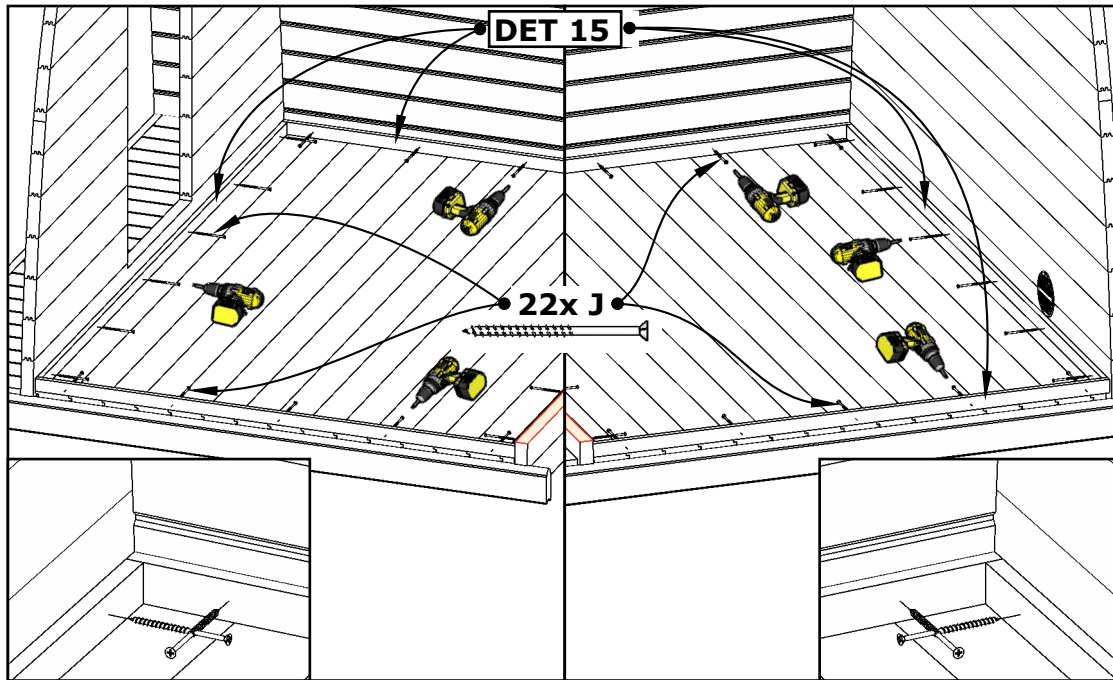
# G3 Outdoor Sauna



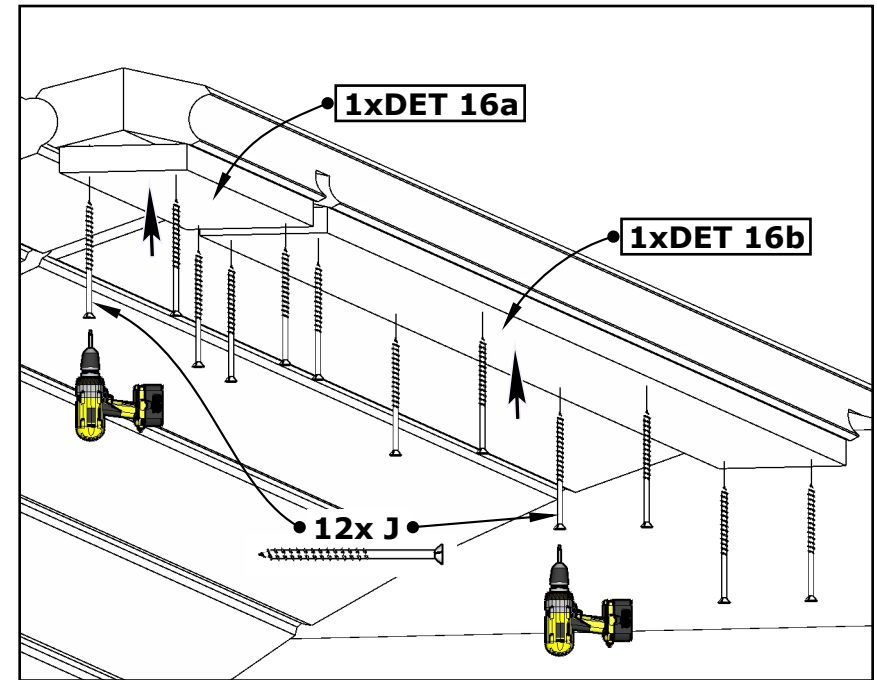
7.

# G3 Outdoor Sauna

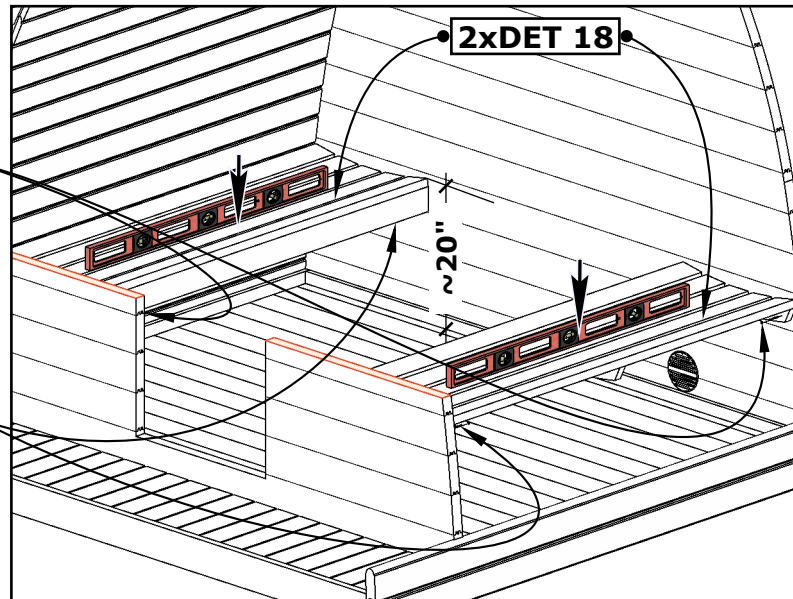
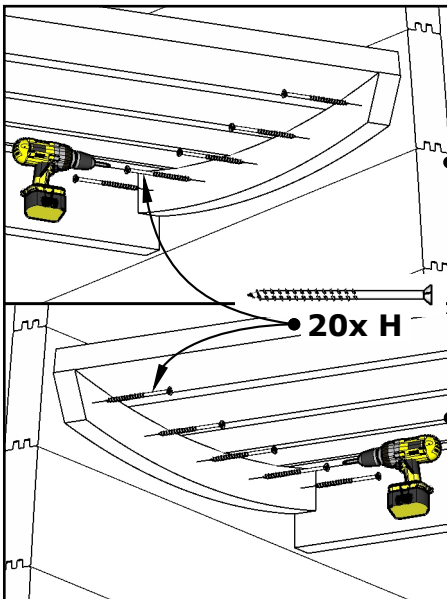
Cut floor slats from DET 15



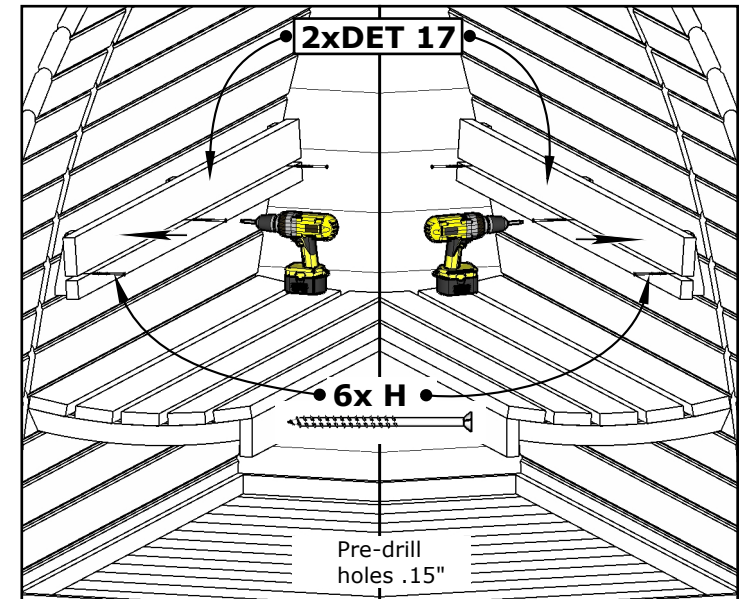
I



II



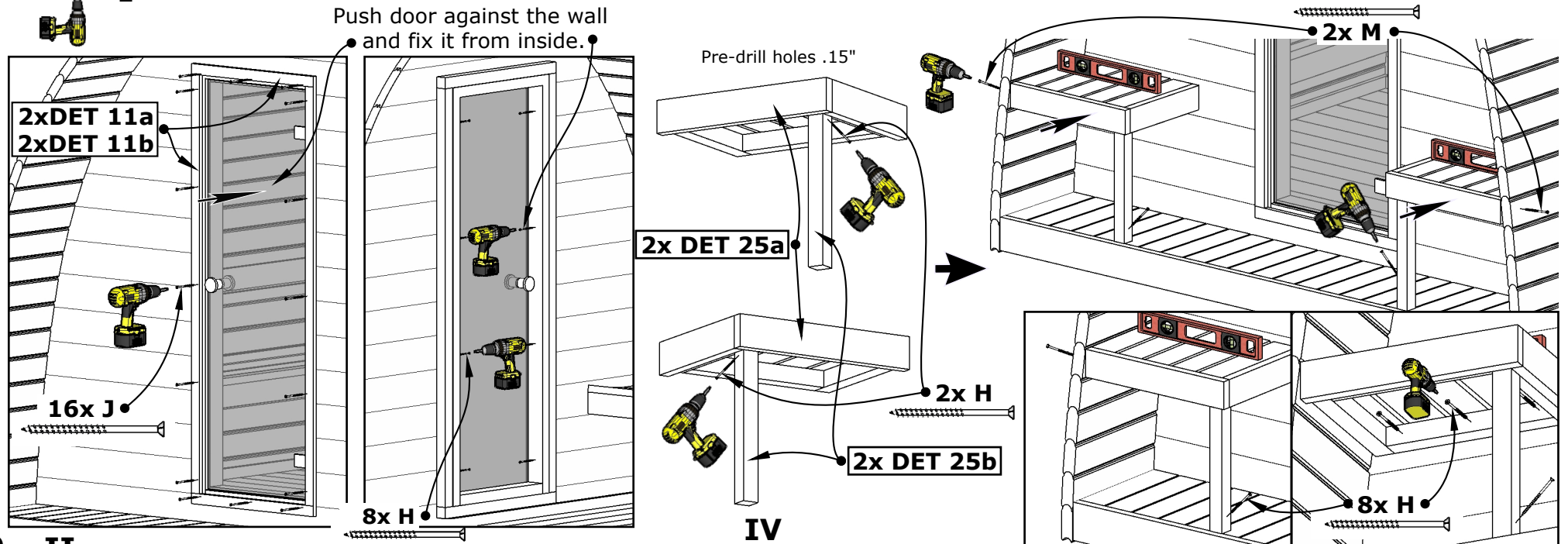
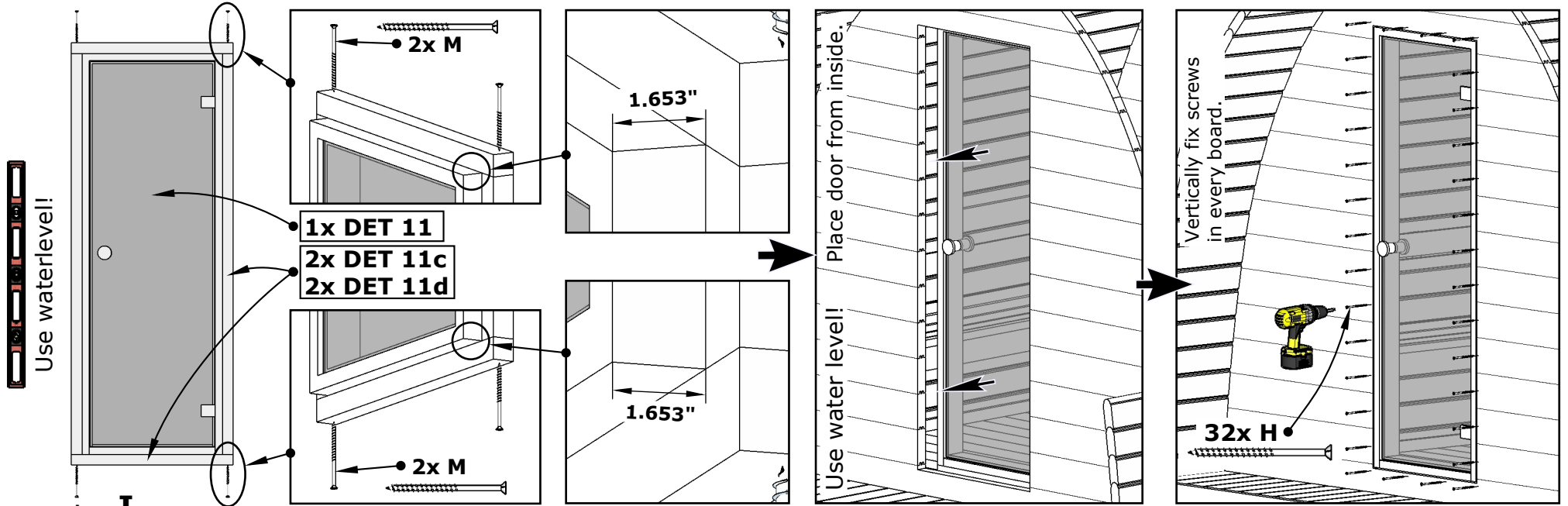
III



IV

8.

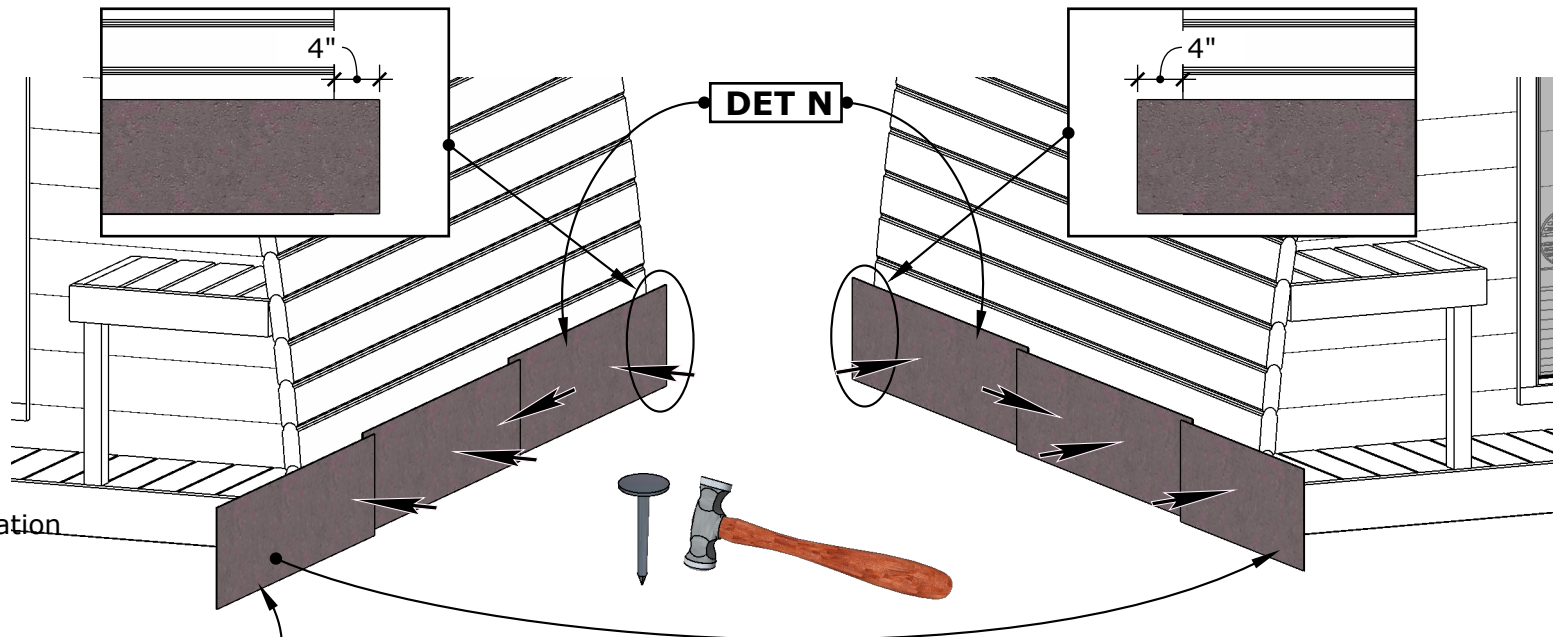
# G3 Outdoor Sauna



9. II

IV

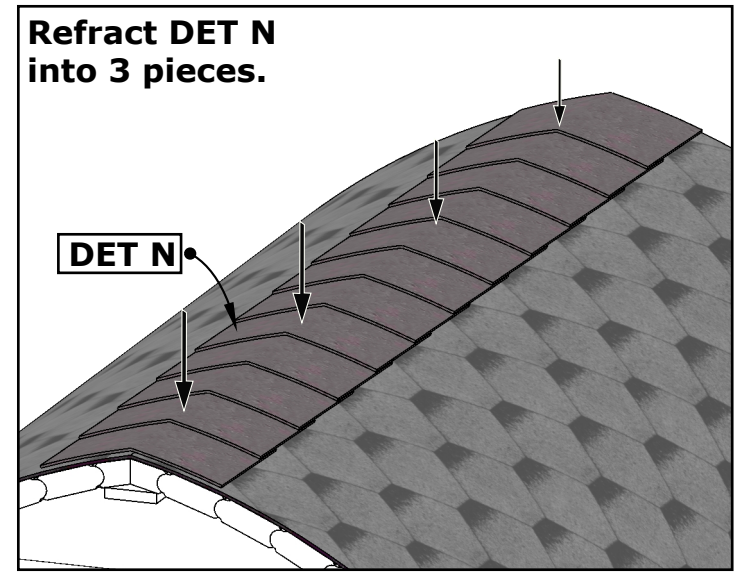
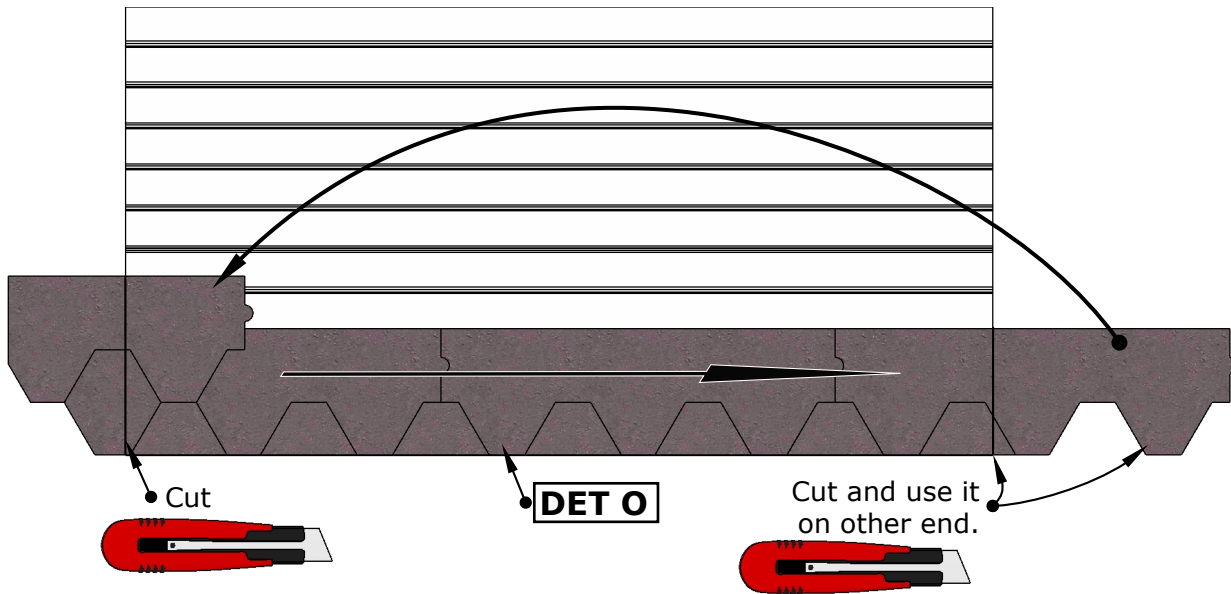
# G3 Outdoor Sauna



Check roof shingles installation manual inside package.

Cut and use it on other side

I



III

# G3 Outdoor Sauna

