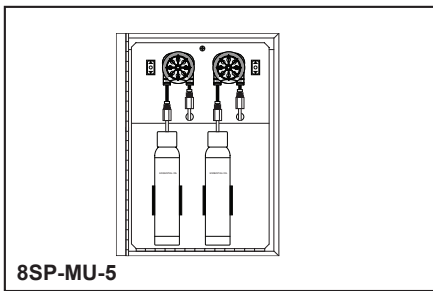


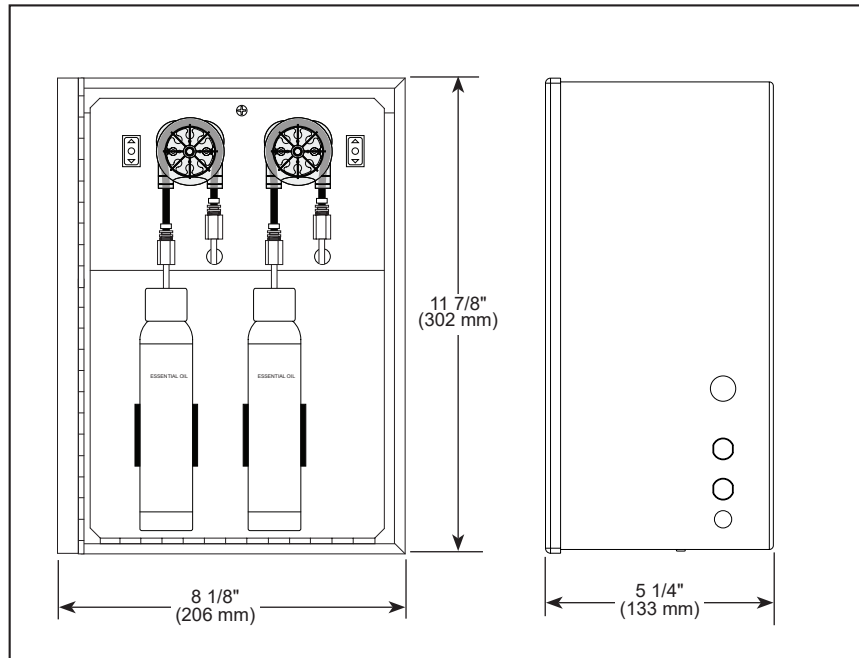
# BRIZO®

## AROMATHERAPY MODULE

■ 8SP-MU-5



8SP-MU-5



### FEATURES:

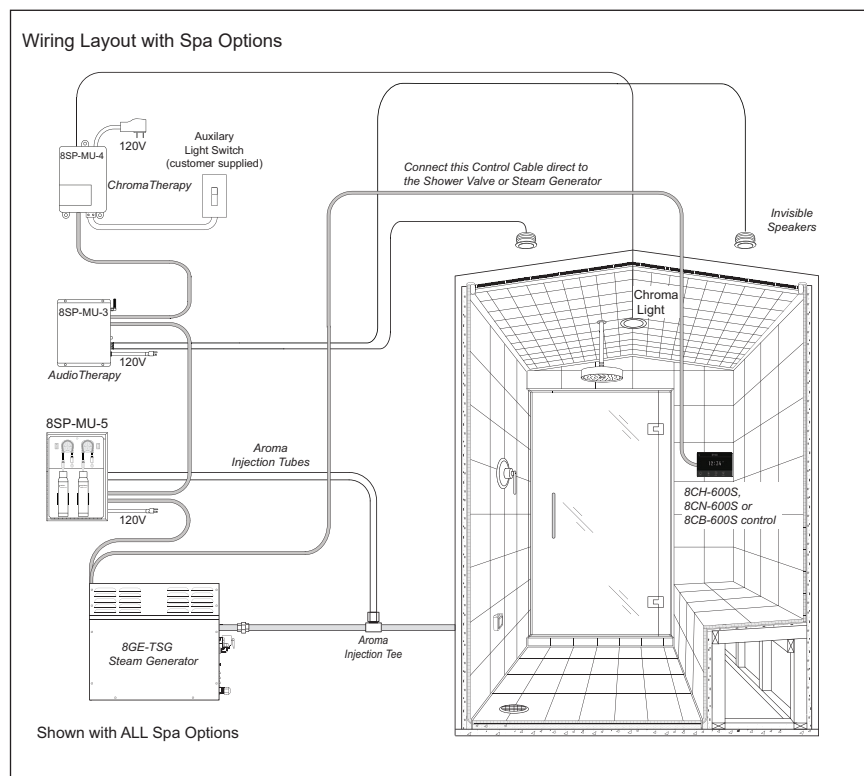
- Two micro dosing peristaltic pumps
- Fully programmable with the 8CB-600, 8CH-600 and 8CN-600 control
- Two manual prime and reverse pump switches. Reverse operation returns the oil back to the bottle for changing the scent.
- Clear tubing for visual indication of oil flow during priming and reverse operation.
- Compatible with Brizo Aromatherapy Pure Essential Oil Canisters.
- Automatically dispenses oil directly into the steam pipe and must be located near the steam pipe.

### STANDARD SPECIFICATIONS:

- Can only be installed with models 8GE-TSG steam generators
- Includes control cable, tubing and fittings.
- Essential oils sold separately.
- Holds two 100 ml Brizo Aromatherapy Pure Essential Oil Canisters.
- Pumps 1/4 drop at a time directly into the steam
- Required Electrical Service: Plugs into standard electrical 120 volt outlet and comes with a low voltage cable to connect to the other system devices.

### WARRANTY

- Please see separate warranty documentation



Brizo Kitchen & Bath Company reserves the right (1) to make changes in specifications and materials, and (2) to change or discontinue models, both without notice or obligation. Dimensions are for reference only. See current full-line price book or [www.brizo.com](http://www.brizo.com) for finish options and product availability.

DSP-S-5SP-MU-5 Rev. A

### Brizo Kitchen & Bath Company

55 E. 111th Street, Indianapolis, IN 46280  
350 South Edgeware Road, St. Thomas, ON N5P 4L1  
© 2023 Brizo Kitchen & Bath Company