

BRIZO® STEAM GENERATOR

- 7.5KW (8GE-TSG07)
- 10KW (8GE-TSG10)

FEATURES:

- Selectable "RapidMist"
- Proportional and Steady Steam
- "Gangable" up to (4) generators
- Microprocessor based diagnostics and LED indication
- Stainless Steel tank construction
- Intelligent control communication
- Compact design permits generator installation in a vanity, a closet or an insulated attic or basement
- Includes 35 ft cable (other extension cords sold separately)

STANDARD SPECIFICATIONS:

- Water Supply - 3/8" Compression Fitting, 120 PSI max
- Steam Outlet - 3/4" Brass NPT male thread
- Pressure Relief Valve - 3/4" NPT female thread
- Drain Outlet - Capped 1/2" Brass NPT male thread
- Generator shipping weight - 30 lbs
- For optimum performance, the steam generator should be mounted as close as possible to the steam room. If needed, the steam pipe may be up to 50' long.
- Steam Generators should be accessible for service.
- Steam generators must NOT be installed outdoors, in moist, humid areas, in areas prone to freezing, or in areas where temperatures can exceed 104°F.
- Steam head to be mounted 12" to 18" above floor or 6" above rim of tub and as far from the seating area as possible. Do not locate below the user control.
- Service Access - Minimum 21" L x 20" W x 22" H (28" L with Auto Drain).
- Required Equipment - 8CH-250L, 8CB-250L, 8CH-250R, 8CB-250R, 8CH-600S OR 8CB-600S control interface and steam head
- Required Electrical Service - Dedicated circuit required: See Specification Chart for proper electrical requirements.

STEAM ROOM GUIDELINES

- Steam room must be completely enclosed, with full walls, doors, floor and ceiling.
- It is recommended that a gasketed door is used for steam containment.
- To prevent slip and fall hazards, non-slip flooring or non-slip floor strips must be installed in the steam room.
- Check the suitability of any materials with the manufacturer. Walls and ceilings must be constructed of water-resistant, non-corrosive surface, such as tile, marble, or other non-porous material.
- The ceiling may be sloped to prevent dripping of condensate.
- Provide a floor drain.
- No heating, venting or air conditioning devices should be installed inside the steam room.
- Exterior windows inside the steam room should be double paned and tempered safety glass.
- Limit steam room ceiling height to 8 feet. Exceeding 8 feet will require a higher-rated steam generator and may cause poor performance. Max ceiling height is 10 feet.

WARRANTY

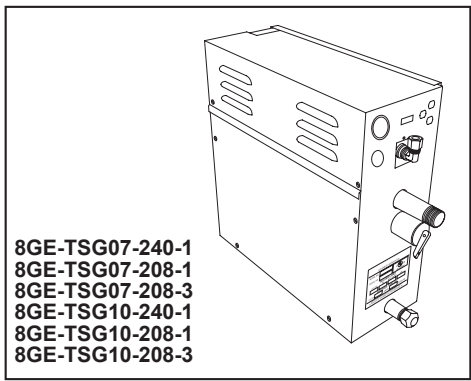
- See separate warranty document

COMPLIES WITH:

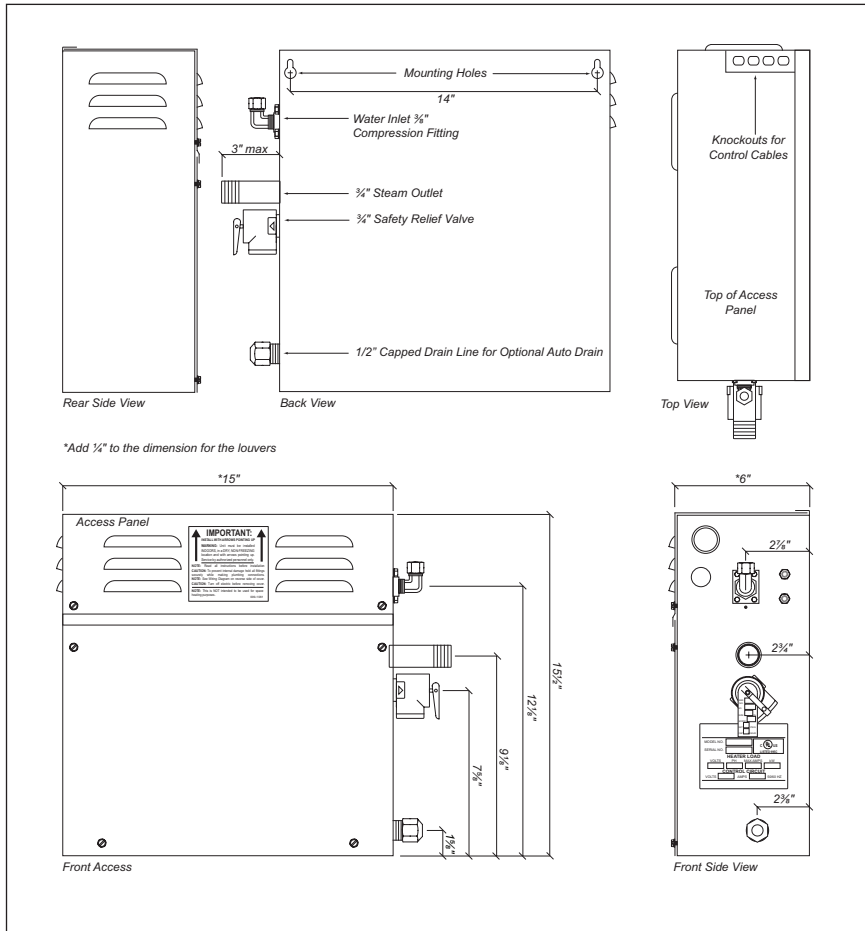
- UL/cUL Listed

Brizo Kitchen & Bath Company

55 E. 111th Street, Indianapolis, Indiana 46280
350 South Edgeware Road, St. Thomas, ON N5P 4L1
© 2023 Brizo Kitchen & Bath Company



8GE-TSG07-240-1
8GE-TSG07-208-1
8GE-TSG07-208-3
8GE-TSG10-240-1
8GE-TSG10-208-1
8GE-TSG10-208-3



*Add 1/4" to the dimension for the louvers

Steam Generator Specification Chart

Product Number	KW Rating	*Max. Cu. Ft. Range	Volts/Phase/Max. Amps	Line Fuse	Dimensions L x W x H
8GE-TSG07-240-1 8GE-TSG07-208-1 8GE-TSG07-208-3	7.5	250	240/1/31 208/1/36 208/3/21	40 50 30	15" x 6" x 15.5"
8GE-TSG10-240-1 8GE-TSG10-208-1 8GE-TSG10-208-3	10	450	240/1/42 208/1/48 208/3/28	50 60 40	15" x 6" x 15.5"

*Refer to sizing guidelines to accurately determine the proper size generator for the installation.
90 °C copper wire is required for generator connection. Installation shall be in accordance with NEC and local electrical codes.

Brizo Kitchen & Bath Company reserves the right (1) to make changes in specifications and materials, and (2) to change or discontinue models, both without notice or obligation. Dimensions are for reference only. See current full-line price book or www.brizo.com for finish options and product availability.

BSP-S-8GE-TSG07-240-1 Rev. A