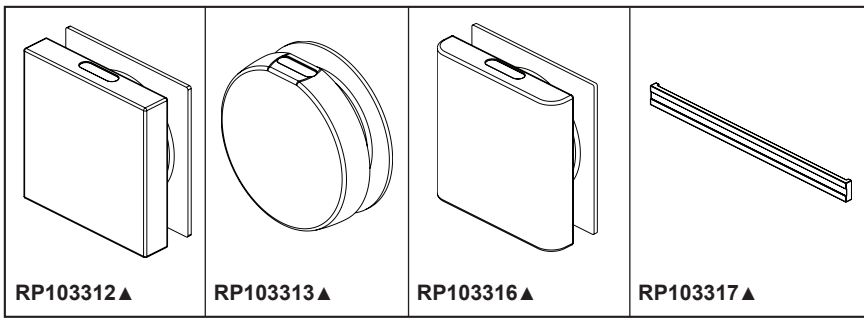
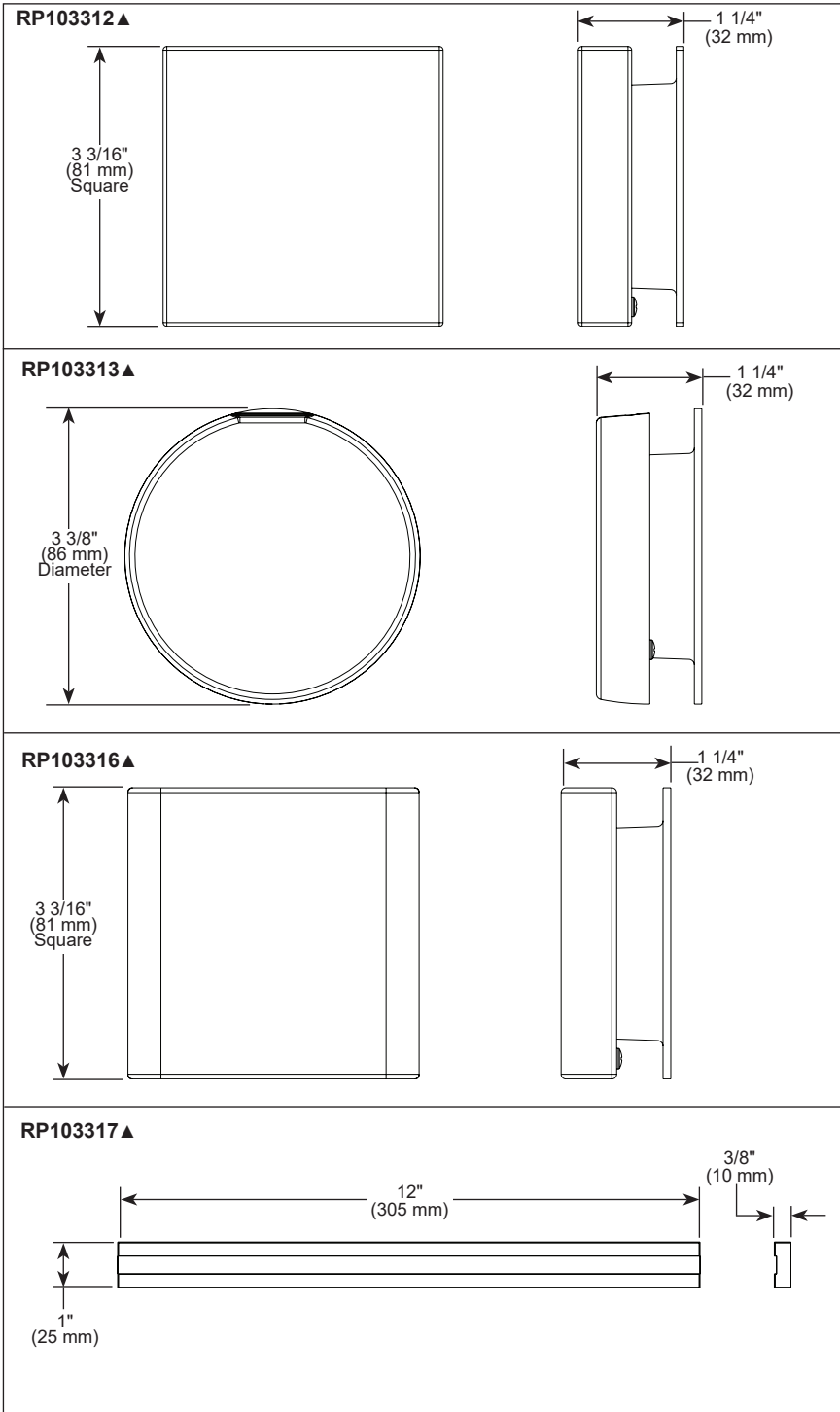


BRIZO®

STEAM HEAD



- Linear Square (RP103312▲)
- Contemporary Round (RP103313▲)
- Contemporary Square (RP103316▲)
- Bilateral (RP103317▲)



▲ Designate Proper Finish Suffix

STANDARD SPECIFICATIONS:

- Includes 3/4" NPT female thread for connection to steam line
- Steam line should protrude 1/4" to 1/2" from finished surface (excludes RP103317▲)
- Steam head should be mounted 12" - 18" above the finished floor or 6" above the rim of the tub. The mounting location must also not be directly beneath the control and should be as far from the seating area as possible.
- Includes silicone cover (excludes RP103317▲)

WARRANTY

- See separate warranty document