

Features

- High-flow thermostatic mixing valve
- Mechanically controlled thermostatic mixing valve maintains outlet temperature throughout shower experience
- Up to 7 gpm (26.5 lpm) maximum flow rate at 45 psi (3.1 bar)
- 3/4" female NPT inlet
- 1/2" female NPT outlet
- Service stops with integral filters
- Antiscald protection
- Integrated adjustable high-temperature limit stop to control maximum water temperature
- Adjustable comfort setting (preset at approximately 104°F)



Material

- Cast dezincification-resistant brass body provides long term reliability and resistance to aggressive water conditions

Installation

- Requires one-outlet thermostatic valve control panel trim with recessed push button (sold separately)
- Mounts within standard 2" x 4" (38 x 102 mm) walls
- Fully-serviceable from the front of the valve

Required Products/Accessories

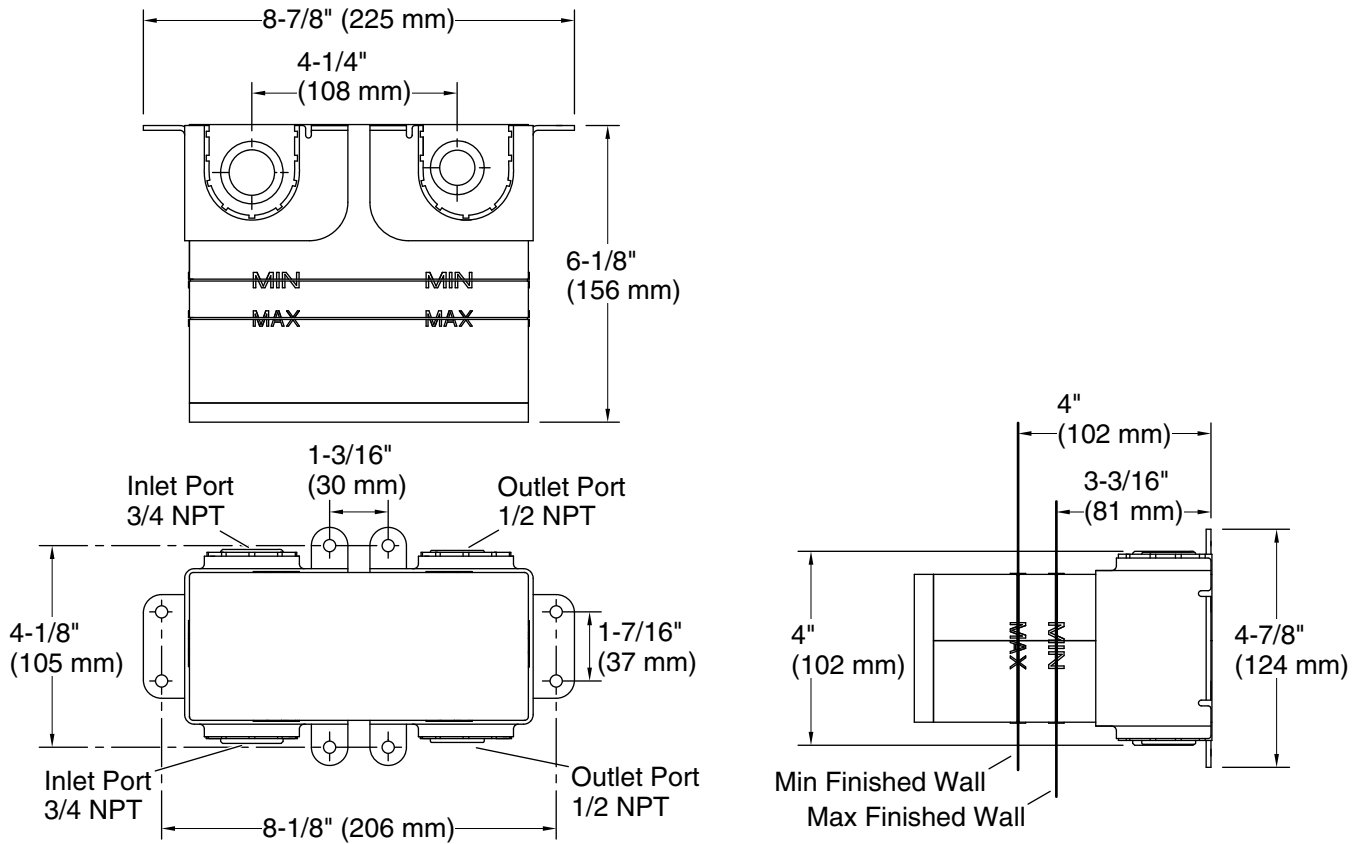
[K-26345-9](#) One-outlet recessed mechanical thermostatic valve control

Codes/Standards

ASME A112.18.1/CSA B125.1
ASSE 1016/ASME A112.1016/CSA B125.16

KOHLER[®] Faucet Lifetime Limited Warranty

See website for detailed warranty information.



Technical Information

All product dimensions are nominal.

Pressure/fixture Supply Requirements

Fixture pressure 125 psi (861.8 kPa)
 max (static):

Fixture pressure min 20 psi (137.9 kPa)
 (static):