

### Electronic Shower Valve SPAH2O

SPAH2O is a 3 outlet electronic shower valve controlled by iSteamX that provides accurate, stable, thermostatic regulation of water temperature and flow rate

#### FEATURES:

- Temperature and flow static control (thermoflowstatic)
- 3 Outlets (Only 1 outlet can be opened at a time)
- Maximum water temperature limitation
- Time of use configuration
- Maximum flow rate limitation
- Maintenance functions
  - Thermal disinfection
  - Hygiene flushing programs
  - Impurity cleaning process
- Maintenance alarms and error diagnosis
  - Cold and hot water leakage
  - Cold and hot water failure
  - Insufficient hot water temperature
  - Cold water temperature high

#### TECHNICAL SPECIFICATIONS

##### General

Technology	Patent pending
Maximum Load	≤36 W. (Stand-by ≤1W)
Rated Impulse Voltage	12 V DC
Ingress Protection Rating	IP54
Water Connections	1/2" NPT
Weight	4.5 lbs.

##### Pressure

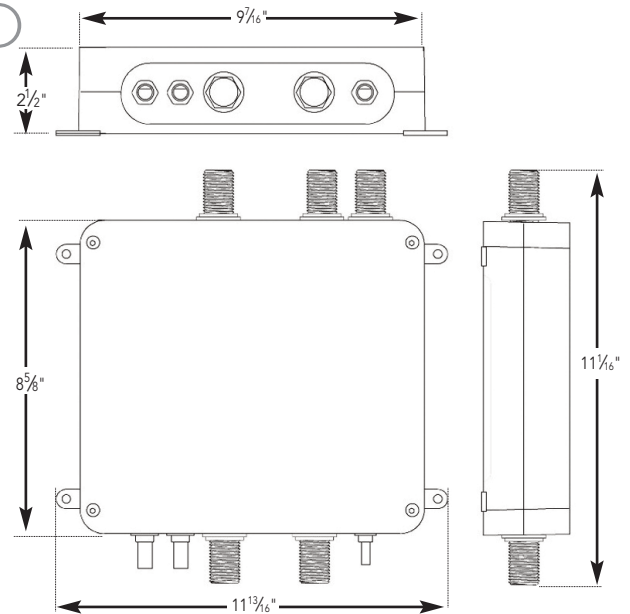
Maximum Dynamic	73 psi
Minimum Dynamic	20 psi
Recommended Dynamic	43 psi
Maximum Differential Supply	5 psi
(Durability) Burst	508 psi
(Durability) Leakage	290 psi

##### Temperature

	Minimum	Maximum
Input hot water range	110° F	149° F
Input cold water range	32° F	80° F
Mixed maximum	118° F	
Mixed minimum	Full cold	
Optimum control range	90° F - 111° F	

##### Flow Rate (3 Bar free flow)

	Minimum	Maximum
Mixed Water 1 outlet open	1.1 gpm	5.5 gpm
Mixed Water 2 outlets open	1.1 gpm	7.4 gpm (total)



#### STANDARDS

**ASSE #1016:** Performance requirements for automatic compensating valves for individual showers and tub/shower combinations Including: **4.6.4:** Pressure and temperature variation test T type

**Pr EN-1111 (2015):** Sanitary Tapware - Thermostatic Mixing Valves. Including:

- **13.2:** Determination of flow rate
- **13.5.1:** Temperature control operation
- **13.5.2:** Flow rate reduction
- **13.5.3:** Cold supply failure and restoration
- **13.5.4:** Supply pressure variation
- **13.5.6:** Temperature Override Stops

**ASSE #1016:** Performance requirements for automatic compensating valves for individual showers and tub/shower combinations Including: **4.6.5:** Pressure and temperature variation test T type

**CE • EMC:** EN 55014-1, EN 55014-2

• **Safety:** EN 60335-1

• **RoHS:** EN 63000:2018

**USA • FCC:** CFR title 47, Part 15, SubPart B

**CANADA • EMC:** CAN ICES-3 (Issue 6)

**IMPORTANT NOTE:** SPAH2O is intended to be used with fixtures marked for use with automatic compensating valves rated at 2.2 GPM or higher flow rates.

**FOR ILLUSTRATIVE PURPOSES ONLY. IMPORTANT NOTE: FOR SAFE & TROUBLE FREE INSTALLATION** visit [mrsteam.com](http://mrsteam.com) before installation to download the Installation, Operation and Maintenance Manual or refer to the manual provided with the unit.

MODEL	PROJECT INFORMATION	
☐ SPAH2O	Location:	Contractor:
	Architect:	Submitted By:
	Engineer:	Date:
Notes:		