



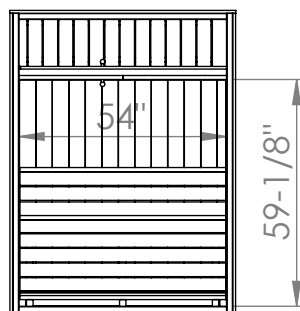
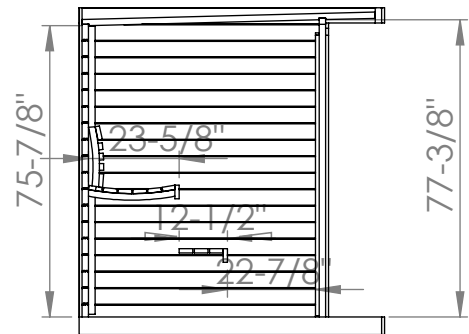
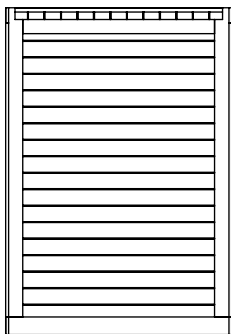
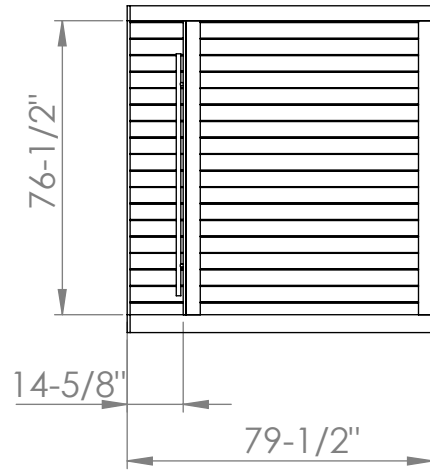
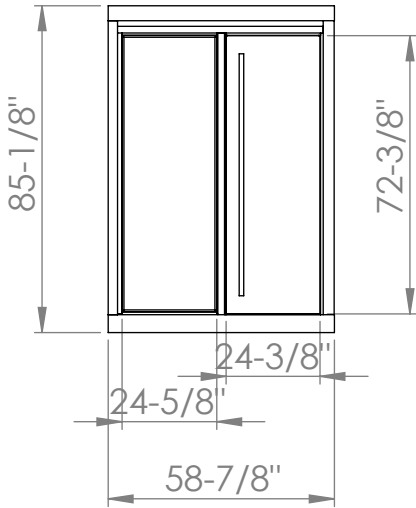
Garden Luxury Series GL4 Outdoor Sauna
80D" x 59W" x 86H"

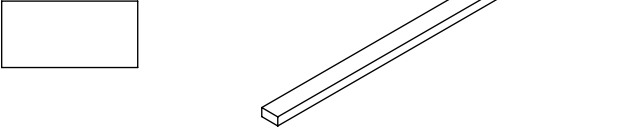
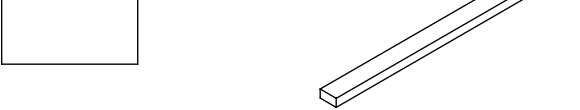
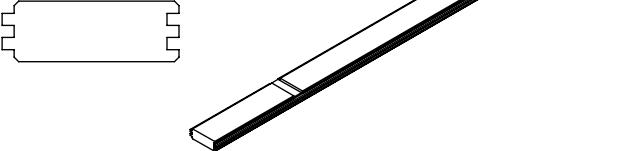
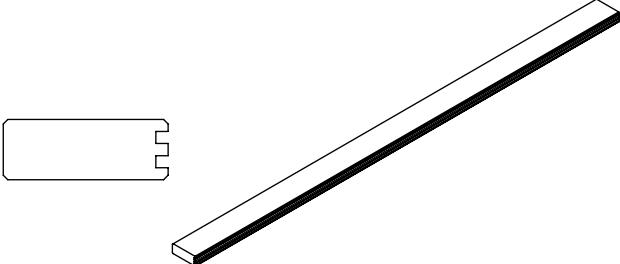
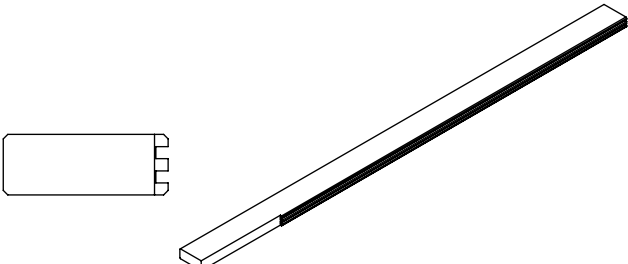
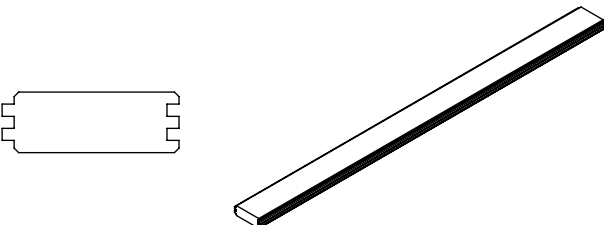
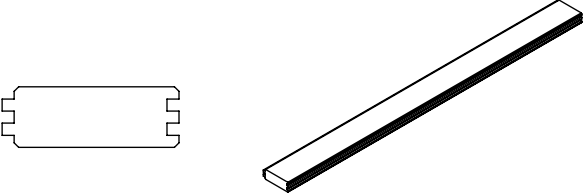
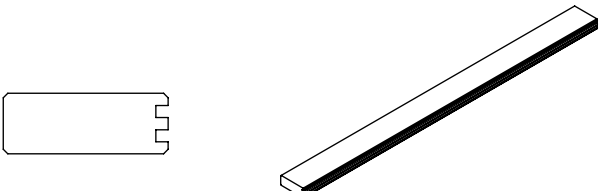


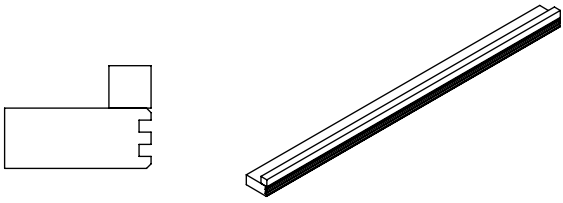
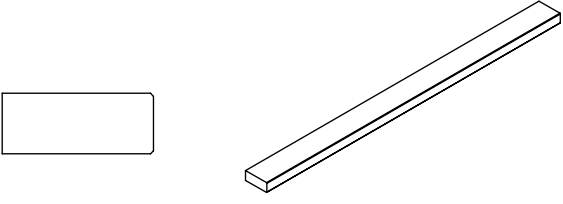
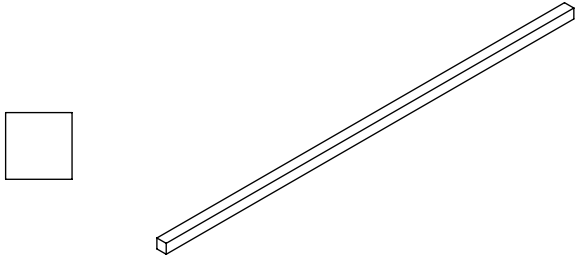
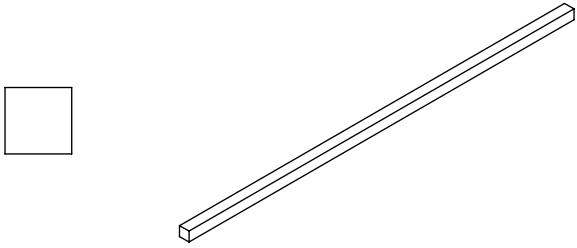
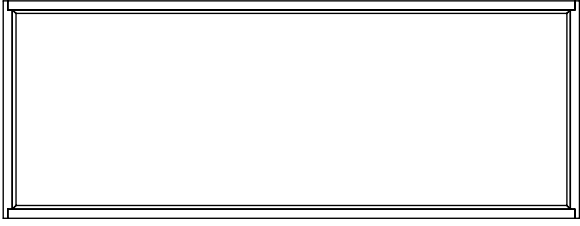
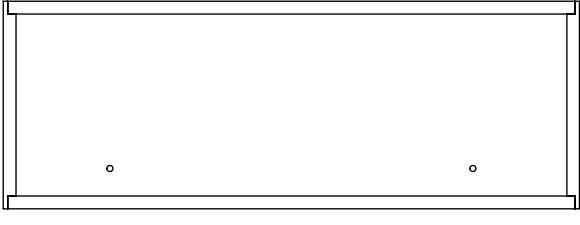
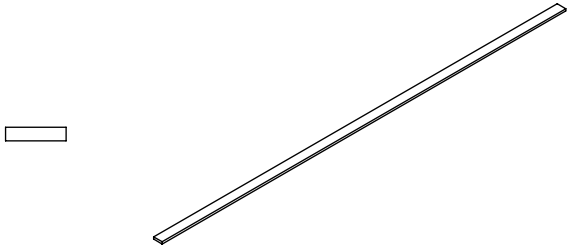
Note: Please read manual before construction

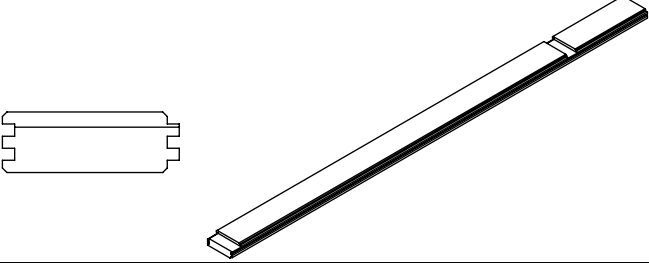
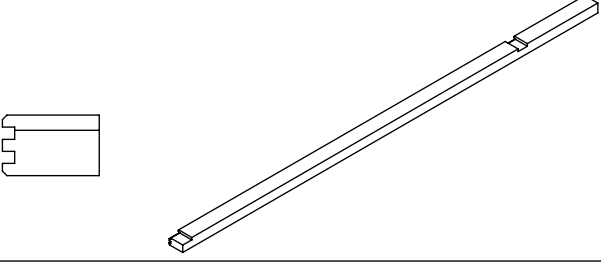
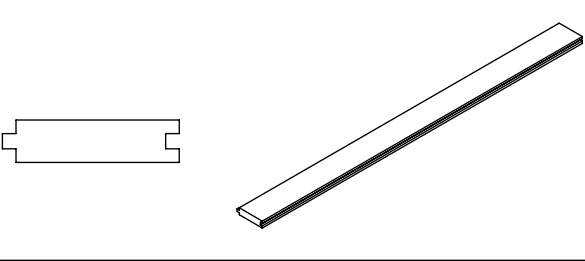
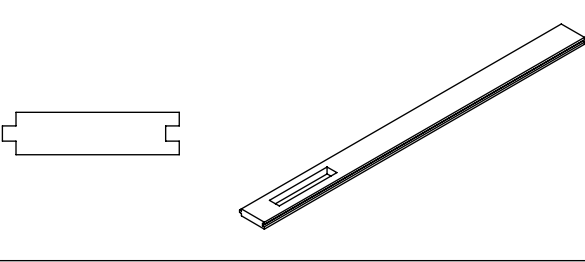
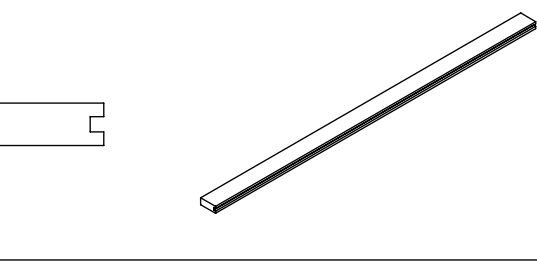





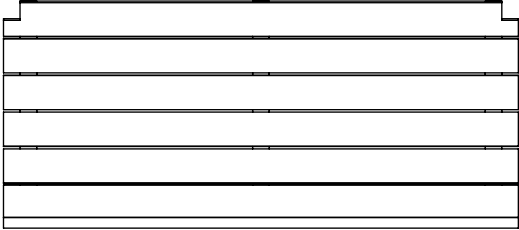

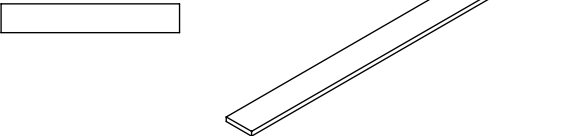
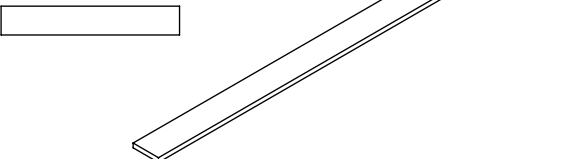
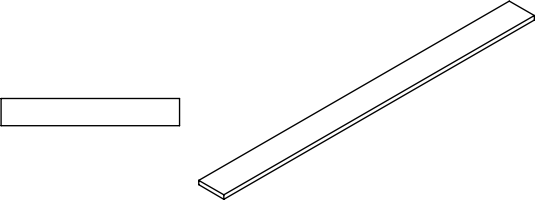
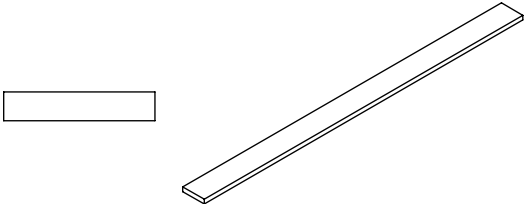
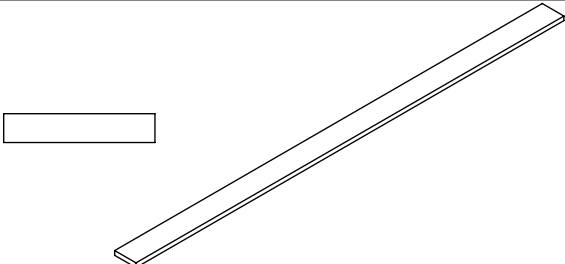
Garden Luxury Series GL4 Outdoor
Sauna 80D" x 59W" x 85H"

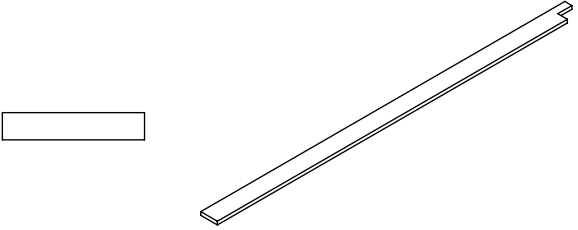
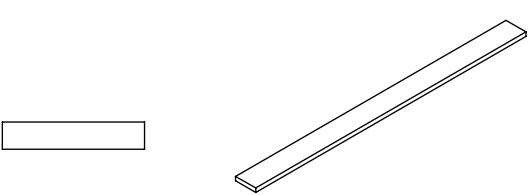
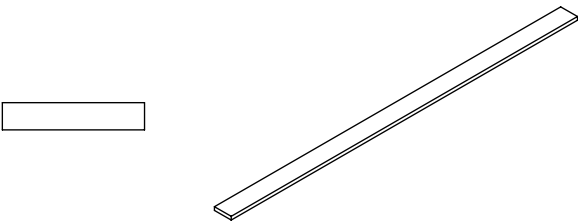
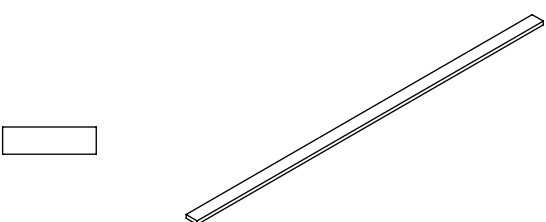
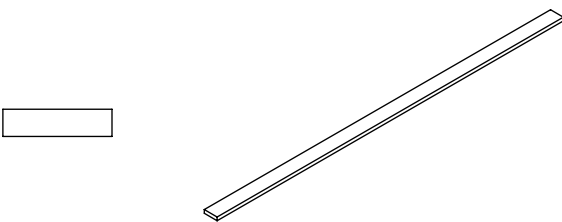
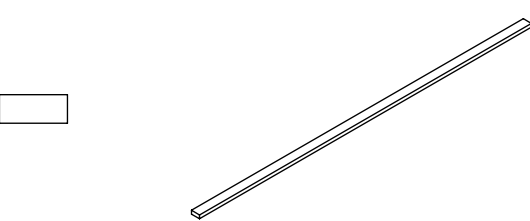
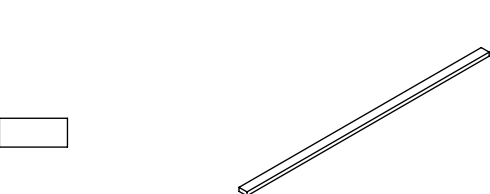
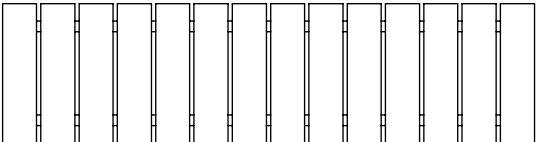





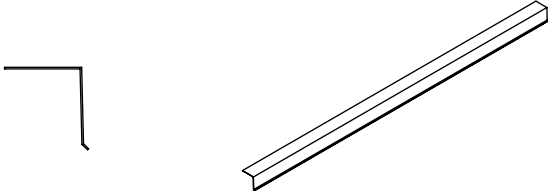
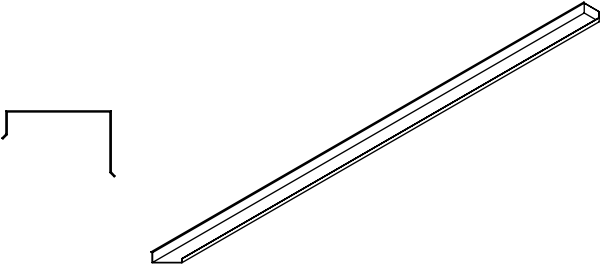
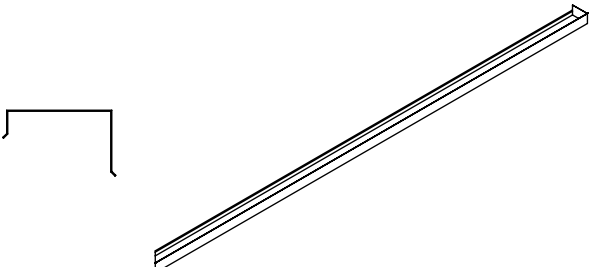
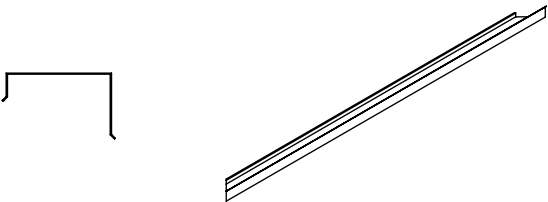

VS2T FI1		Base frame	1.7"x3.5"x78"	2
VS2T FI2		Base frame	1.7"x3.5"x53.7"	8
VS2T W1		Wall log	1.57"x4.6"x78"	18
VS2T W1.1		Wall log	1.57"x4.3"x78"	1
VS2T W1.2		Wall log	1.57"x4.3"x78"	1
VS2T W2		Wall log	1.57"x4.6"x63.4"	18
VS2T W3		Wall log	1.57"x4.6"x54"	17
VS2T W3.1		Wall log	57"x4.3"x54"	1



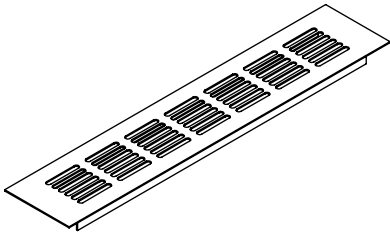
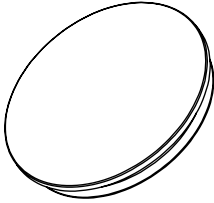

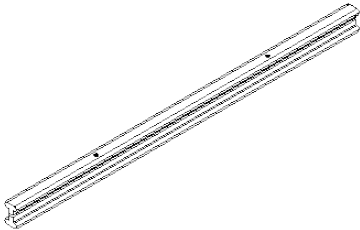

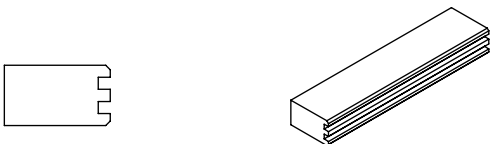
VS2T W3.2		Wall log	1.57"x3.81"x54"	1
VS2T W3.3		Wall log	1.57"x3.93"x54"	1
VS2T Cp		Corner post	1.7"x1.7"x75"	2
VS2T sp		Support	1.7"x1.7"x70.8"	4
VS2T WE		Window element	27.07"x75"	1
VS2T DE		Door element	27.07"x75"	1
VS2T Wex		Wind slat for window element (plywood)	0.35"x1.53"x74.25" (plywood)	1

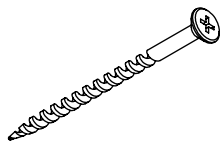
VS2T Rb		Roof board	1.57"x4.6"x76.37"	12
VS2T Rbc		Roof board (cutted)	1.57"x2.52"x76.37"	1
VS2T Fib		Floor board	1"x4.6"x58.9"	11
VS2T Fib2		Floor board (vent hole)	1"x4.6"x58.9"	1
VS2T Fib3		Floor board (cutted)	1"x2.7"x58.9"	1
VS2T Bs1		Bench support	1.7"x1.7"x11.2"	2
VS2T Bs2		Bench support	1.7"x2.7"x20.78"	2

VS2T B1		Bench 1	12.7"x53.6"	1
VS2T B2		Bench 2	23.6"x53.6"	1
VS2T Br		Backrest	15.7"x53.6"	1
VS2T Cs1		Cover slat	0.7"x4.65"x58.6"	1
VS2T Cs2		Cover slat	0.7"x4.65"x78.7"	2
VS2T Cs3		Cover slat	0.7"x4.65"x57.16"	1
VS2T Cs4		Cover slat	0.7"x3.93"x58.6"	1
VS2T Cs5		Cover slat	0.7"x3.93"x78.7"	2

<p>VS2T Cs6</p>		<p>Cover slat (corner cut)</p>	<p>0.7"x3.7"x80.4"</p>	<p>2</p>
<p>VS2T Cs7</p>		<p>Cover slat</p>	<p>0.7"x3.7"x49.7"</p>	<p>1</p>
<p>VS2T Cs8</p>		<p>Cover slat</p>	<p>0.7"x3.7"x76.4"</p>	<p>5</p>
<p>VS2T Cs9</p>		<p>Cover slat</p>	<p>0.7"x2.44"x76.4"</p>	<p>1</p>
<p>VS2T Cs10</p>		<p>Cover slat</p>	<p>0.7"x2.83"x76.4"</p>	<p>1</p>
<p>VS2T Cs11</p>		<p>Cover slat</p>	<p>0.7"x1.77"x73.3"</p>	<p>1</p>
<p>VS2T Cs12</p>		<p>Cover slat</p>	<p>0.7"x1.77"x53.4"</p>	<p>1</p>
<p>VS2T Tr</p>		<p>Terrace</p>	<p>14.5"x55.4"</p>	<p>1</p>

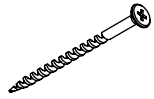
VS2T Hc1		Heater cover board (side)	0.7"x3.7"x21.65"	4
VS2T Hc2		Heater cover board (front)	0.7"x3.7"x23.62"	2
VS2T Hc3		Heater cover frame	1.1"x1.7"x7.87"	4
		Metal roofing sheet (for back wall)	53.9"	1
		Metal roofing sheet (for side wall)	78.7"	1
		Metal roofing sheet (for side wall)	78.7"	1
		Metal roofing sheet (for front wall)	59"	1
		Rubber roof cover	1x8m	1

		Silicon gun		1
		Bitumen sealant		1
		Vent cover floor		1
		Vent cover (wooden, inside)		1
		Vent cover (metal, outside)		1
		Door handle		1
		Cap for door&window frame screw holes		14
		Hitting block	12"	2



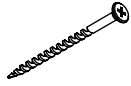
6.3" screws

152



3.5" screws

31



3.15" screws

18



2.7" screws

278



2.4" screws

4



2" screws

4



1.77" screws

48



1.6" screws (black)

160



1.2" screws

6



2" screws (round head)

6



1" screws (round head)

7



1" screws (roofing screw)

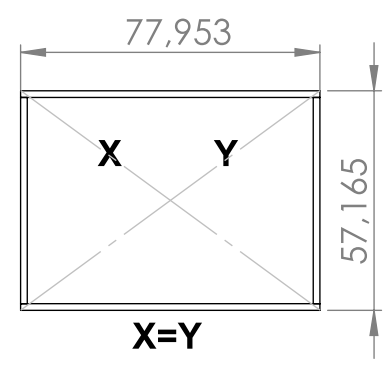
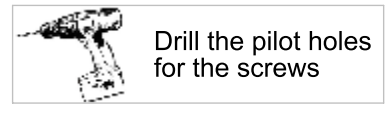
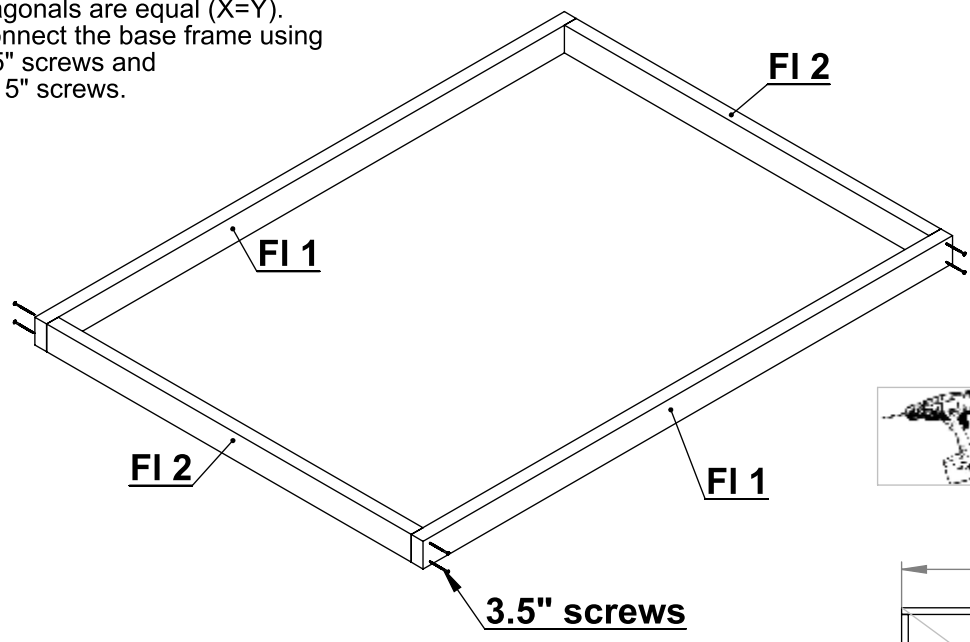
26



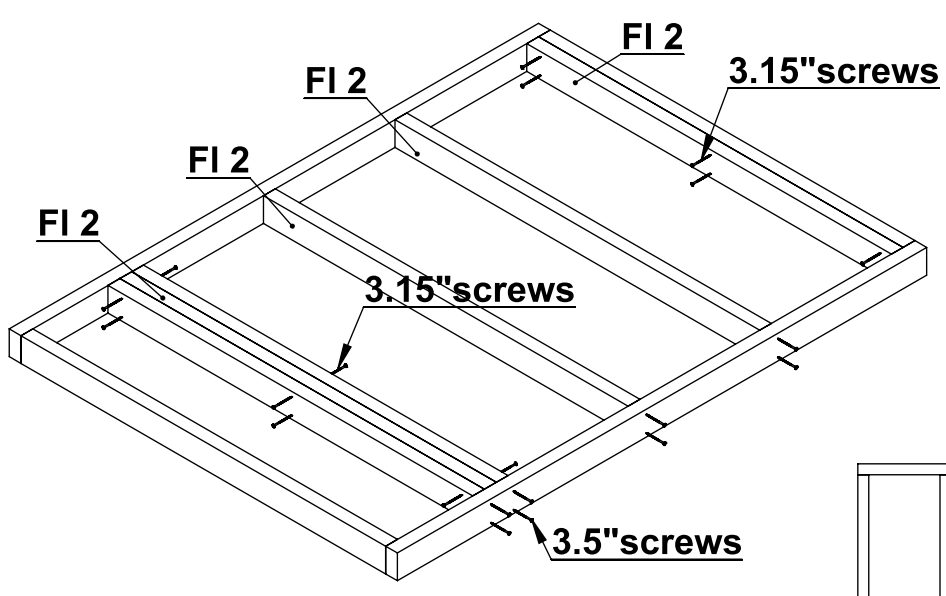
2.2" bolt (door handle)

2

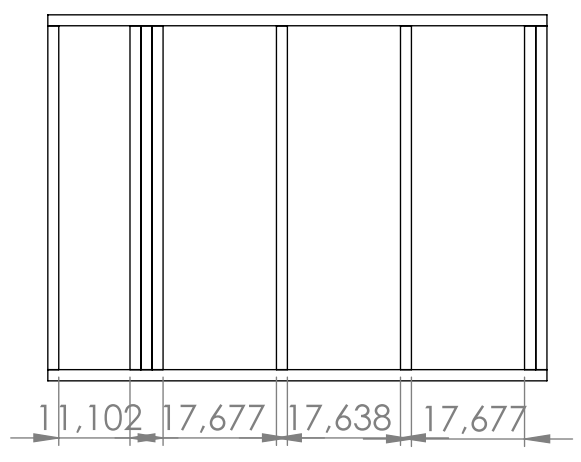
Connect the base frame according to drawings. Make sure the diagonals are equal (X=Y). Connect the base frame using 3.5" screws and 3.15" screws.



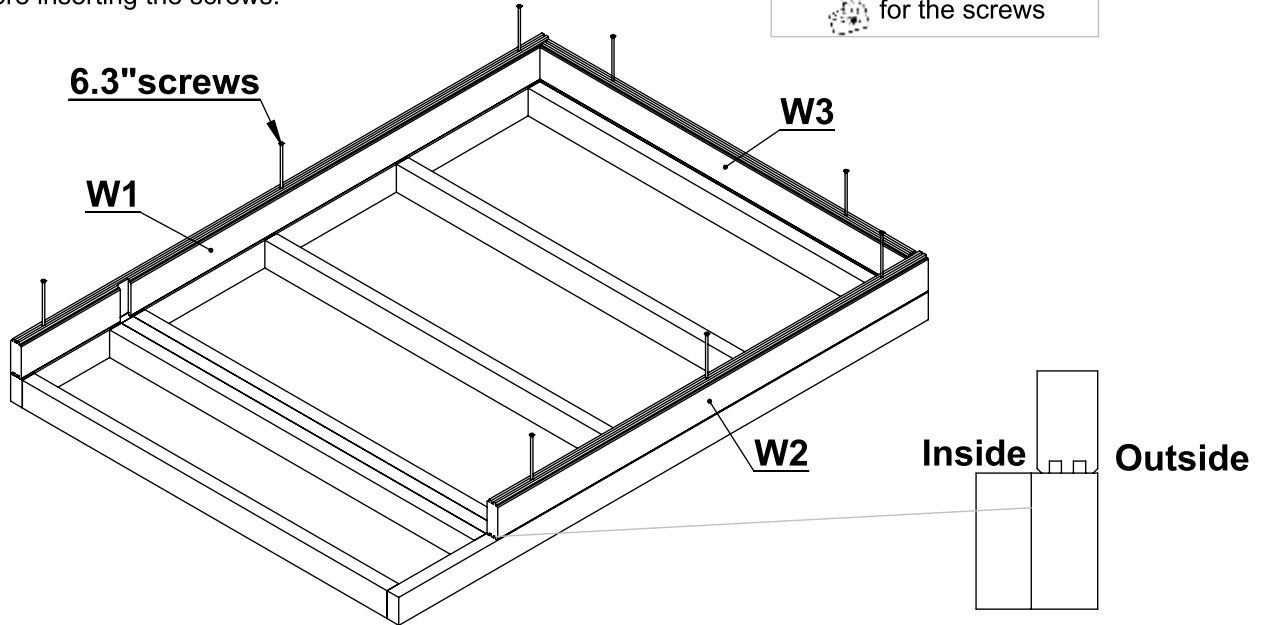
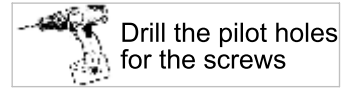
FI 1	1.7"x3.5"x78"	2
FI 2	1.7"x3.5"x53.7"	2
3.5" screws		8



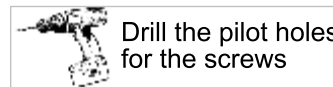
FI 2	1.7"x3.5"x53.7"	6
3.15" screws		18
3.5" screws		16



Start by placing the first row of wall logs on the Base frame. Make sure the outside edge of the wall logs aligns perfectly with the outside edge of the base frame. Use 6.3" screws to secure these wall logs to the base frame. To prevent the logs from splitting, pre-drill your holes with a 6mm drill bit before inserting the screws.

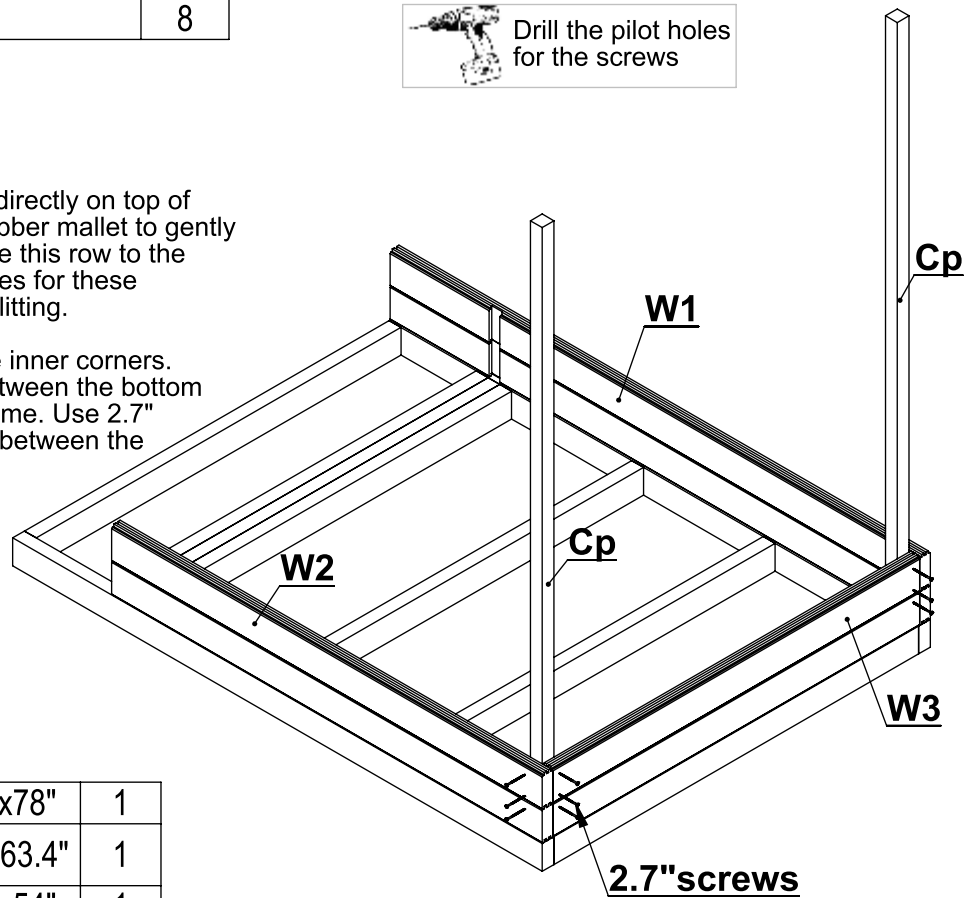


W1	1.57"x4.6"x78"	1
W2	1.57"x4.6"x63.4"	1
W3	1.57"x4.6"x54"	1
6.3" screws		8



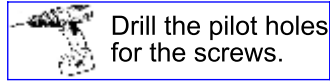
Place the second row of wall logs directly on top of the first. Use a hitting block and rubber mallet to gently tap and set them into place. Secure this row to the first using 6.3" screws, pre-drill holes for these screws to prevent the logs from splitting.

Next, install the corner posts in the inner corners. Make sure to leave a 1.77" gap between the bottom of the corner post and the base frame. Use 2.7" screws to secure the corner posts between the wall logs, remembering to pre-drill.

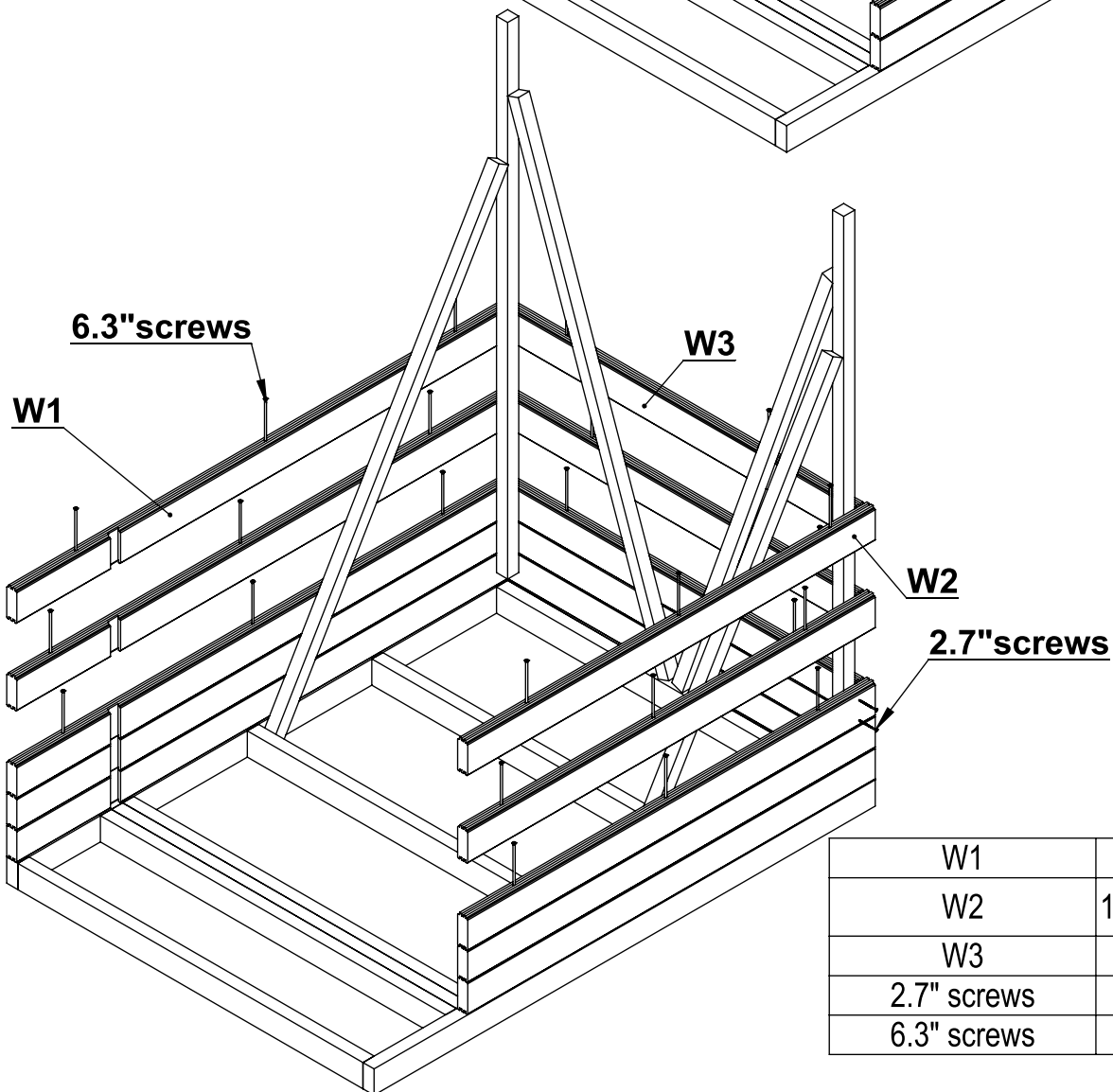
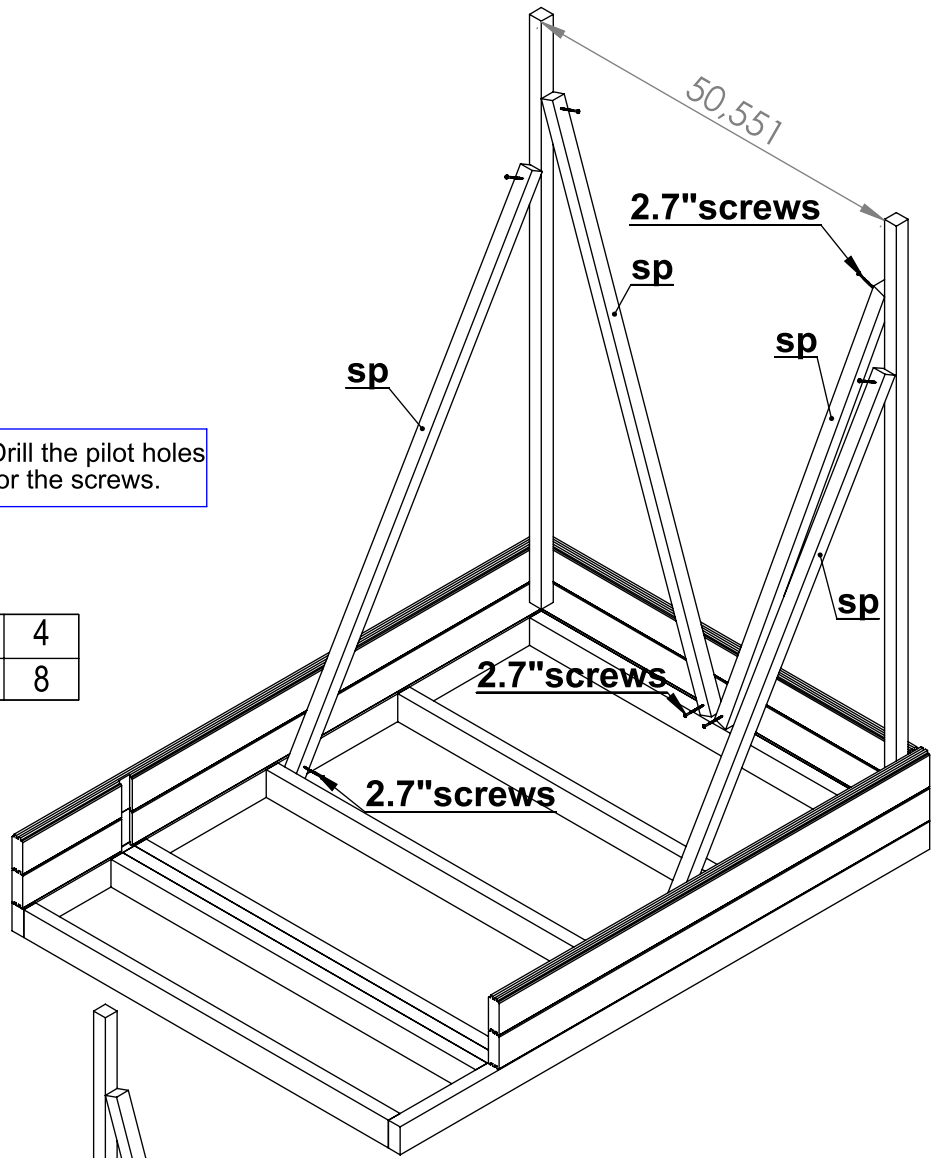


W1	1.57"x4.6"x78"	1
W2	1.57"x4.6"x63.4"	1
W3	1.57"x4.6"x54"	1
Cp	1.7"x1.72"x75"	2
2.7" screws		12
6.3" screws		8

Plumb the corner posts and attach temporary supports with 2.7" screws to ensure they stay.

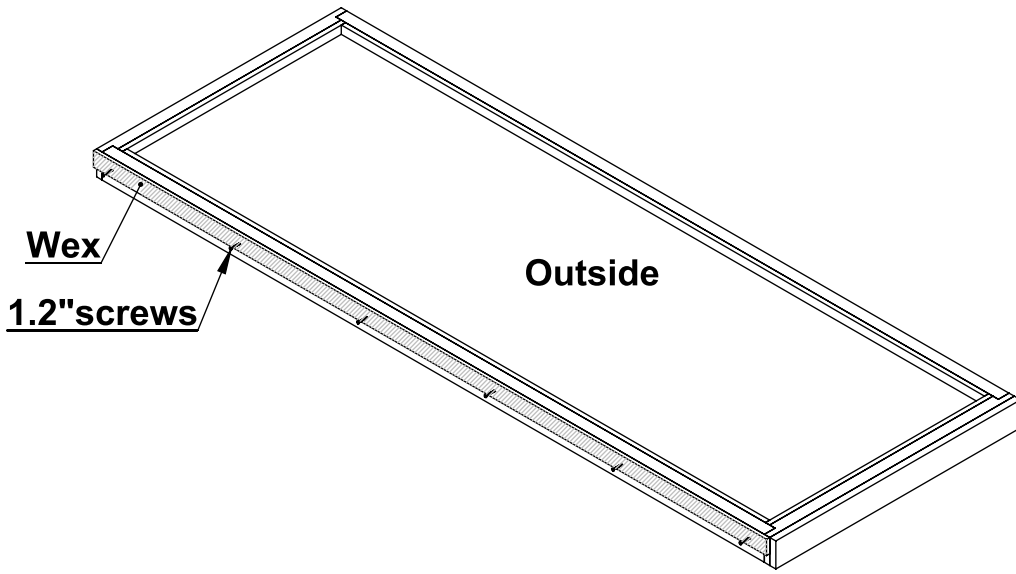


sp	1.7"x1.7"x70.8"	4
2.7" screws		8

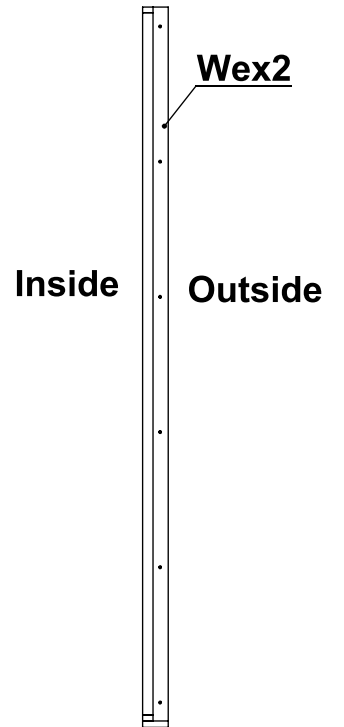


W1	1.57"x4.6"x78"	3
W2	1.57"x4.6"x63.4"	3
W3	1.57"x4.6"x54"	3
2.7" screws		24
6.3" screws		24

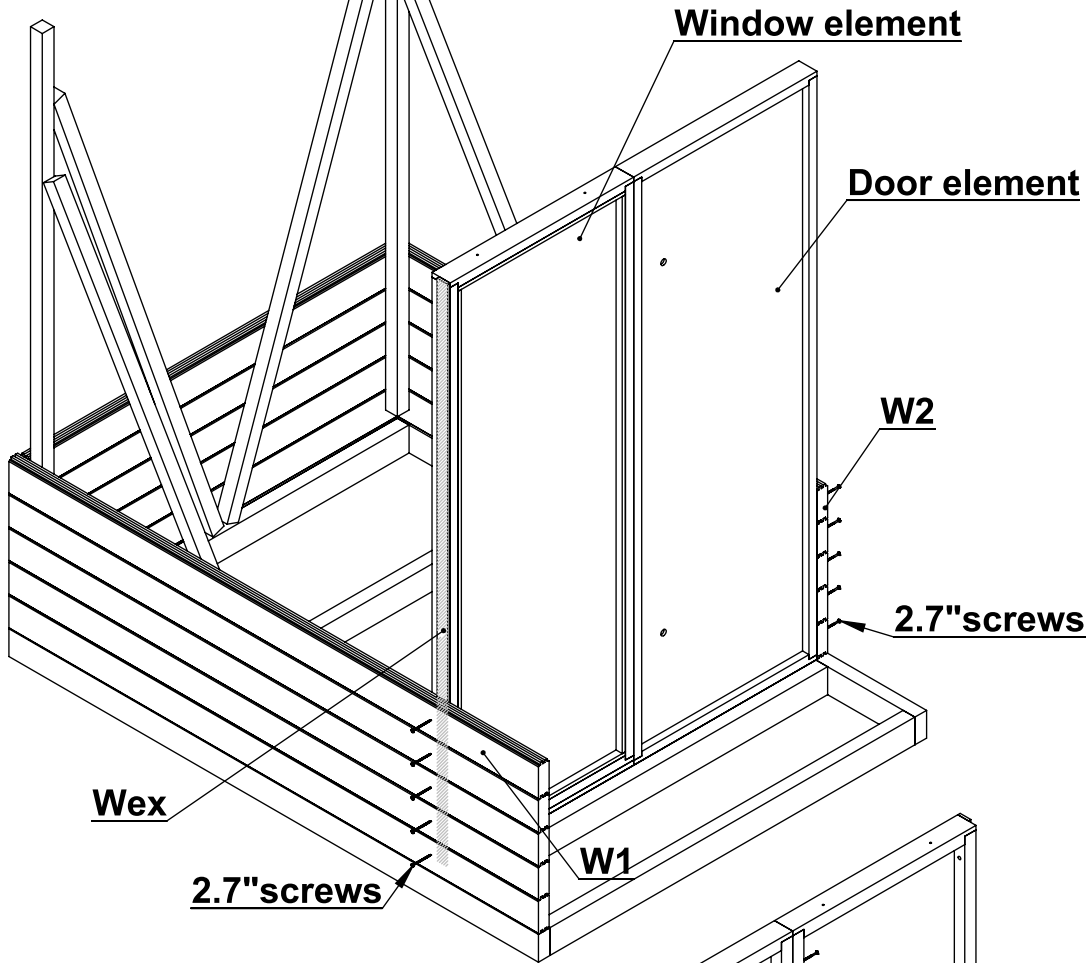
Fix the detail Wex to the window element, using 1.2" screws.



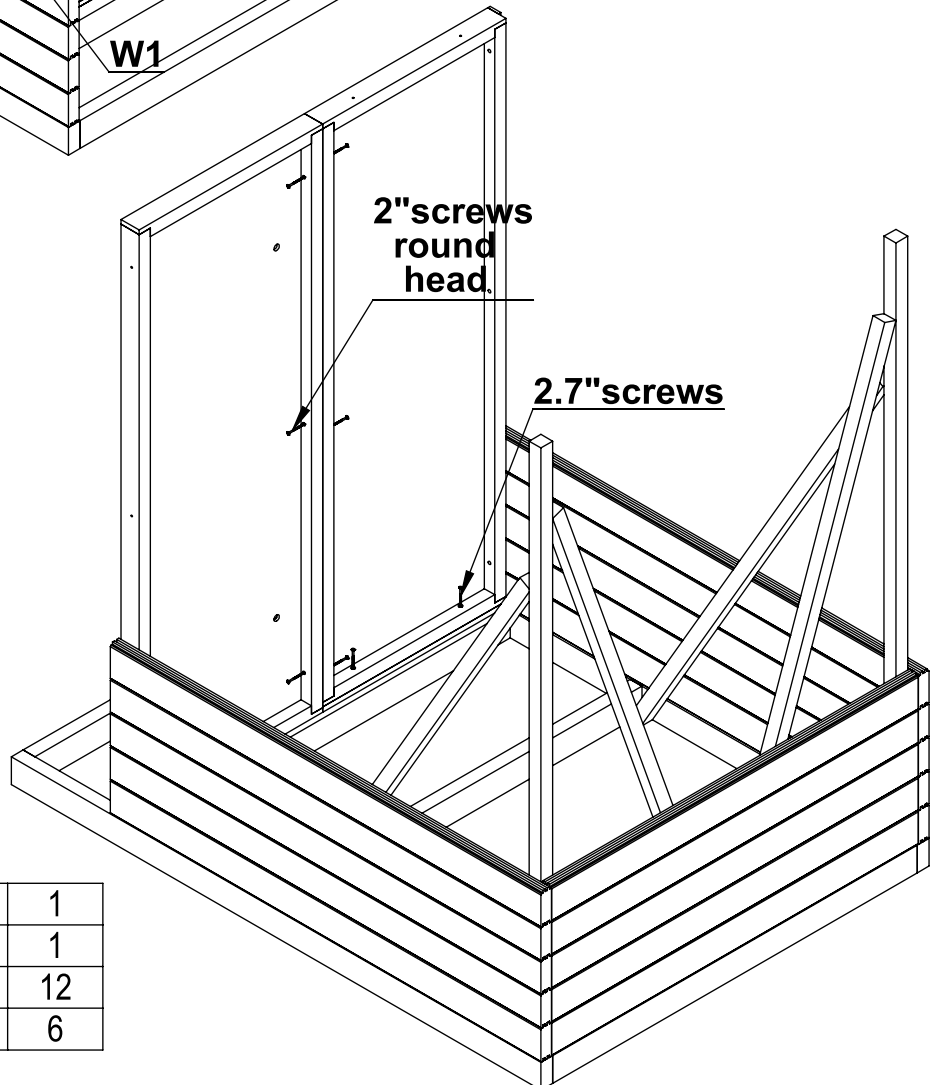
Wex	0.35"x1.53"x74.25"	1
1.2" screws		6



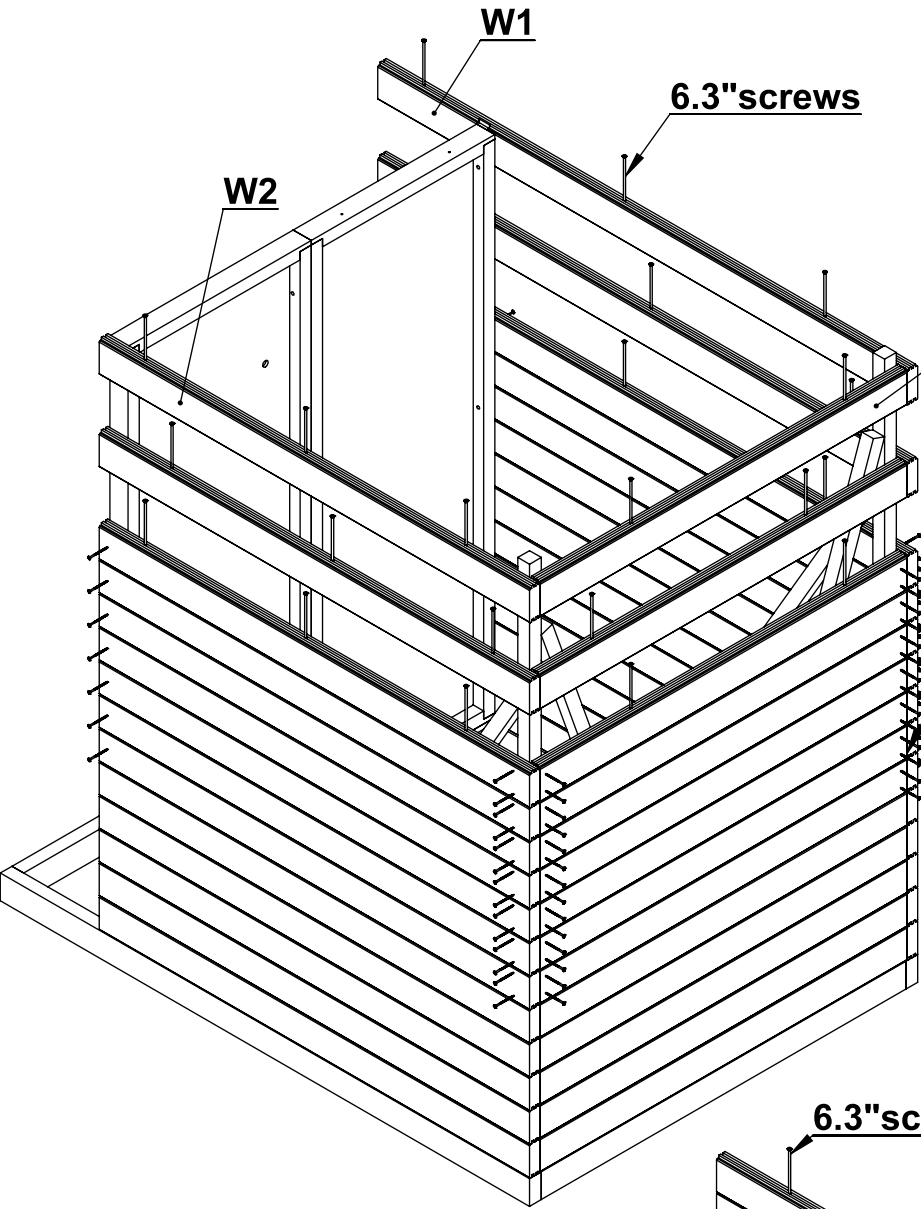
Once you've fixed the five rows of wall logs, it's time to install the window and door elements. Make sure the door element aligns with W2 from the outside. The window elements (Wex2) should fit securely into the milled groove, W1. Use 2.7" screws for all these locations.



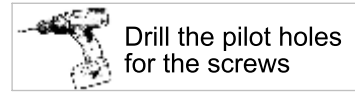
Connect the Door and Window from inside using 2" round-head screws. From the bottom use 2.7" screws to connect window element to the base frame. The holes are already pre-drilled.



Window	27.07"x74.25"	1
Door	27.07"x75"	1
2.7" screws		12
2" screws	round head	6

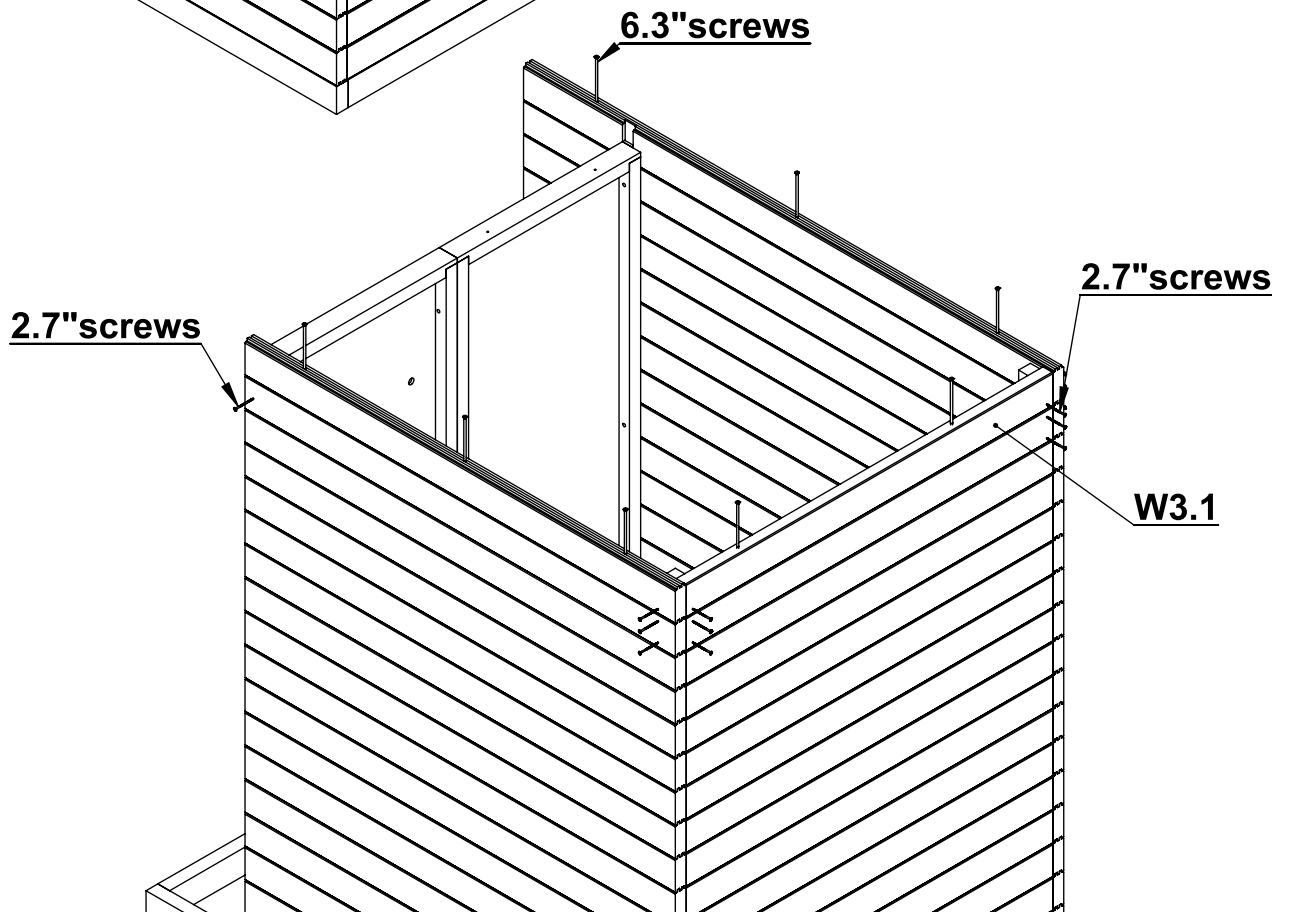


Continue installing the wall logs. Use 6.3" screws to attach the logs to each other and 2.7" screws to fix all logs to the corner posts. Pre-drill holes for all screws to prevent the wall logs from splitting.

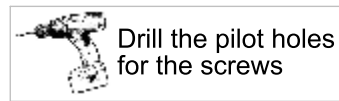
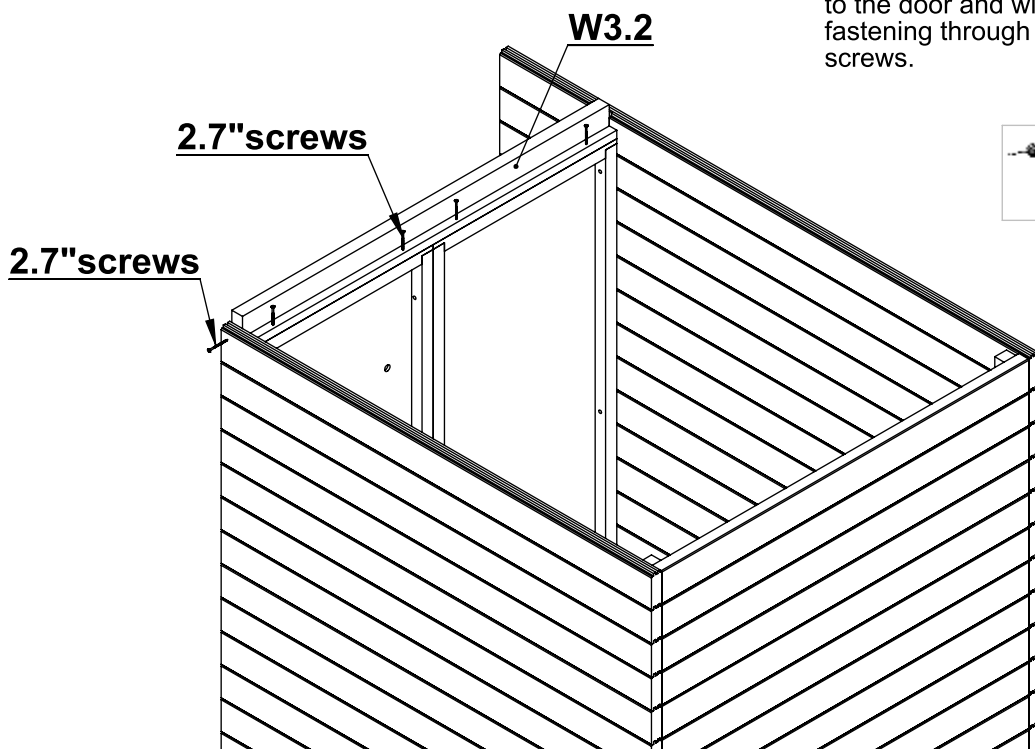


2.7" screws

W1	1.57"x4.6"x78"	13
W2	1.57"x4.6"x63.4"	13
W3	1.57"x4.6"x54"	12
W3.1	1.57"x4.3"x54"	1
2.7" screws		130
6.2" screws		104

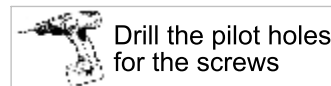
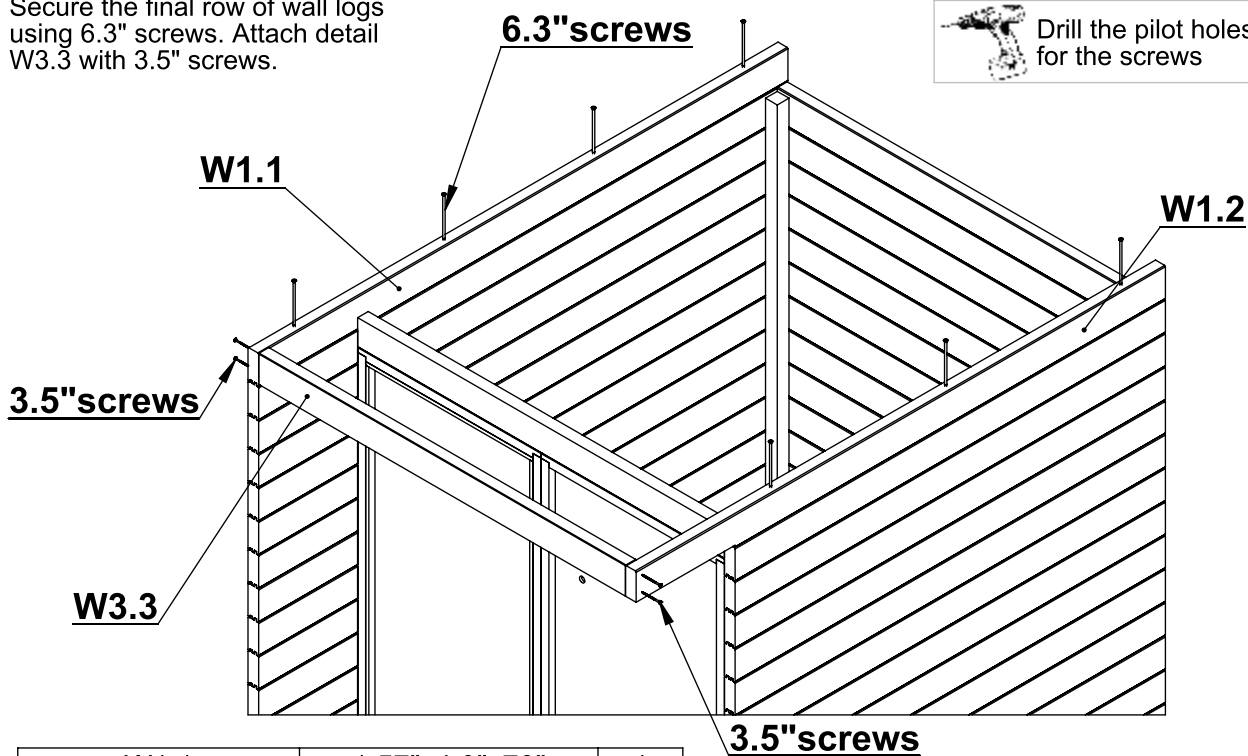


Use 2.7" screws to connect detail W3.2 to the door and window elements. When fastening through the wall logs use 2.7" screws.



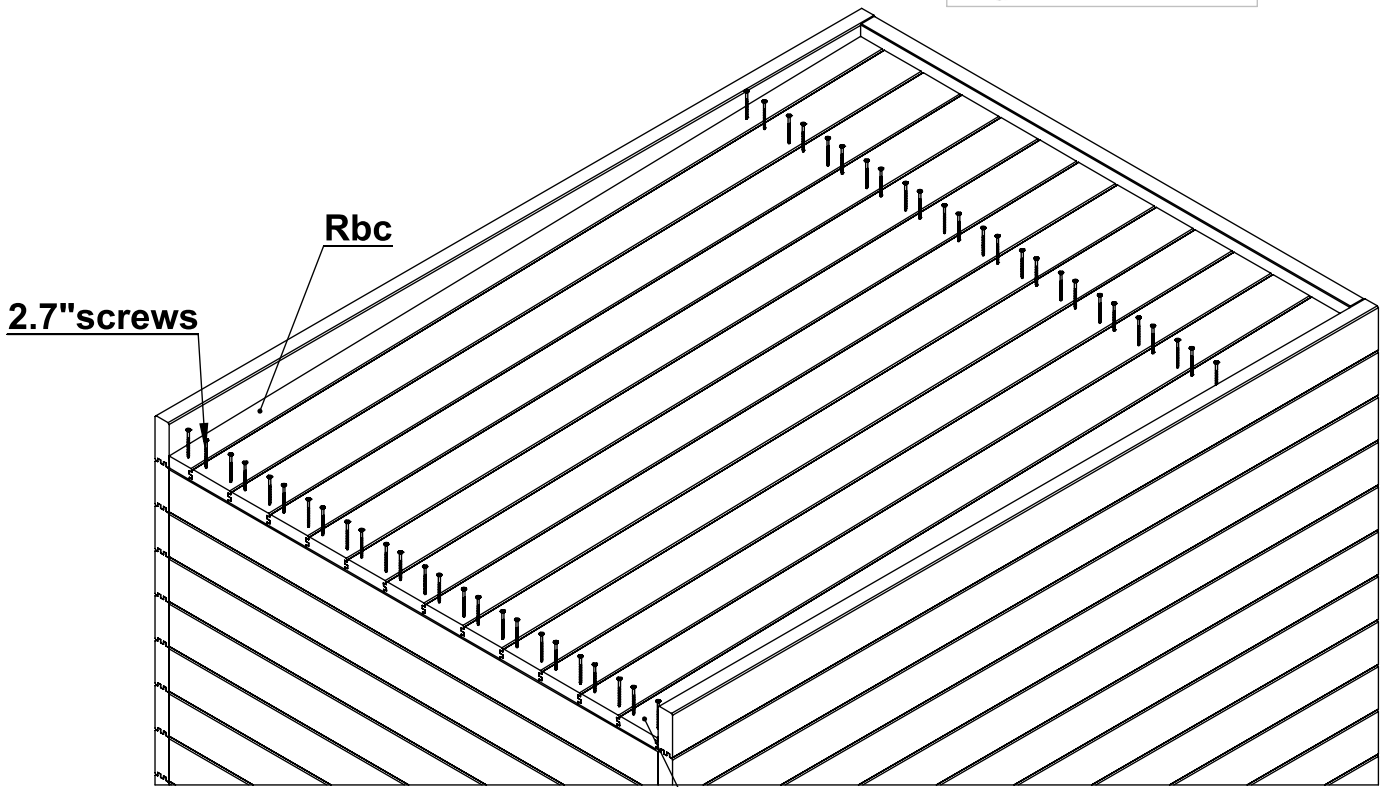
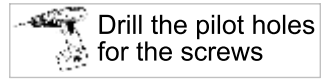
W3.2	1.57"x3.81"x54"	1
2.7" screws		6

Secure the final row of wall logs using 6.3" screws. Attach detail W3.3 with 3.5" screws.



W1.1	1.57"x4.3"x78"	1
W1.2	1.57"x4.3"x78"	1
W3.3	1.57"x3.93"x54"	1
3.5" screws		4
6.3" screws		8

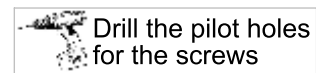
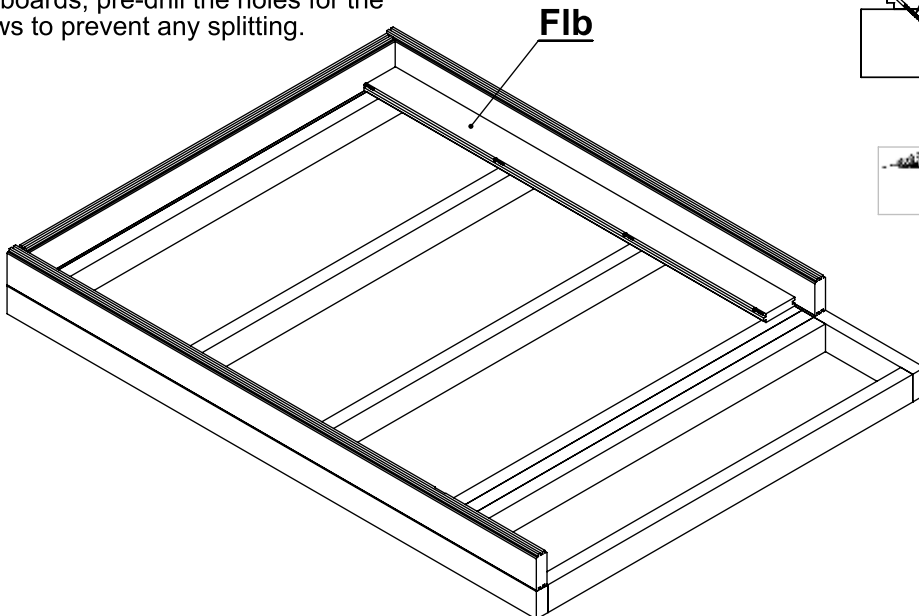
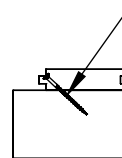
Use 2.7" screws to connect roof boards.

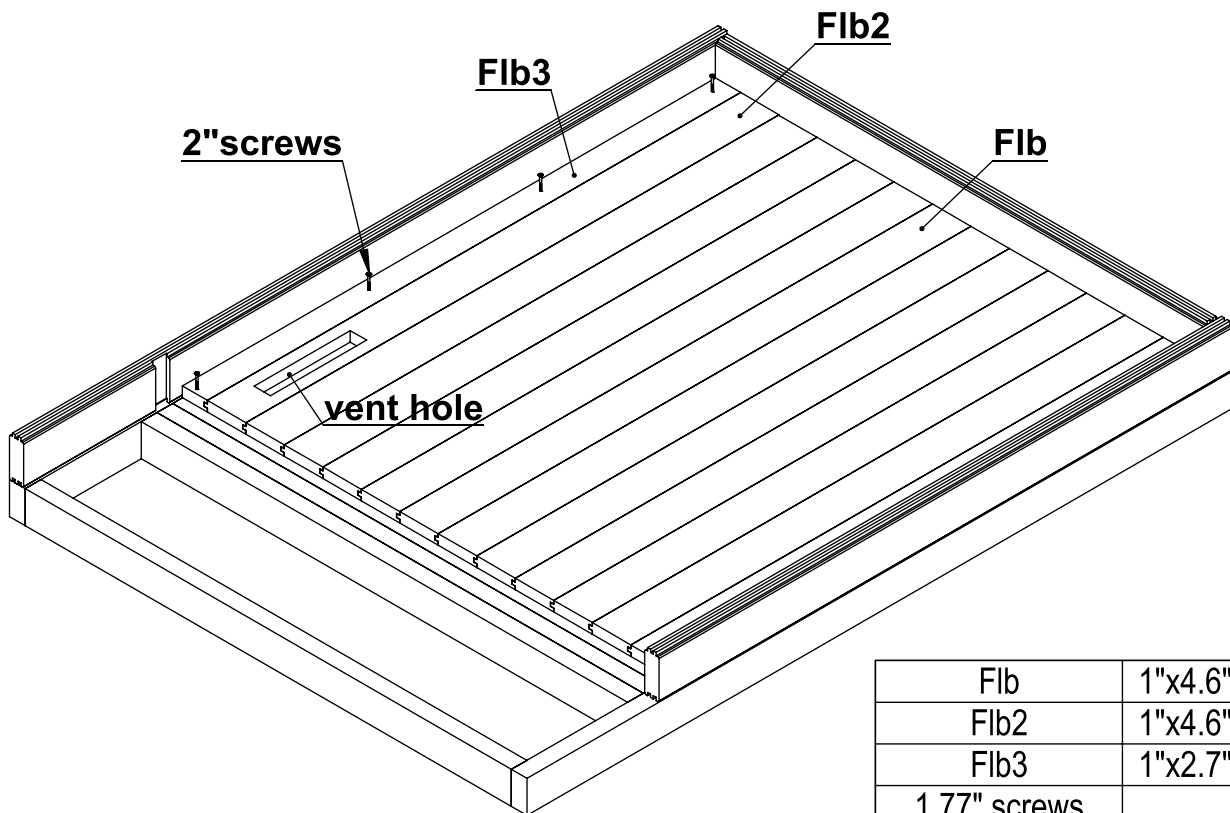


Rb	1.57"x4.6"x76.37"	12
Rbc	1.57"x2.52"x76.37"	1
2.7" screws		50

Begin installing the floor boards from the door side. Make sure to leave a 3mm gap between the floor boards and the walls on all sides. Use 1.77" screws to secure the floor boards, pre-drill the holes for the screws to prevent any splitting.

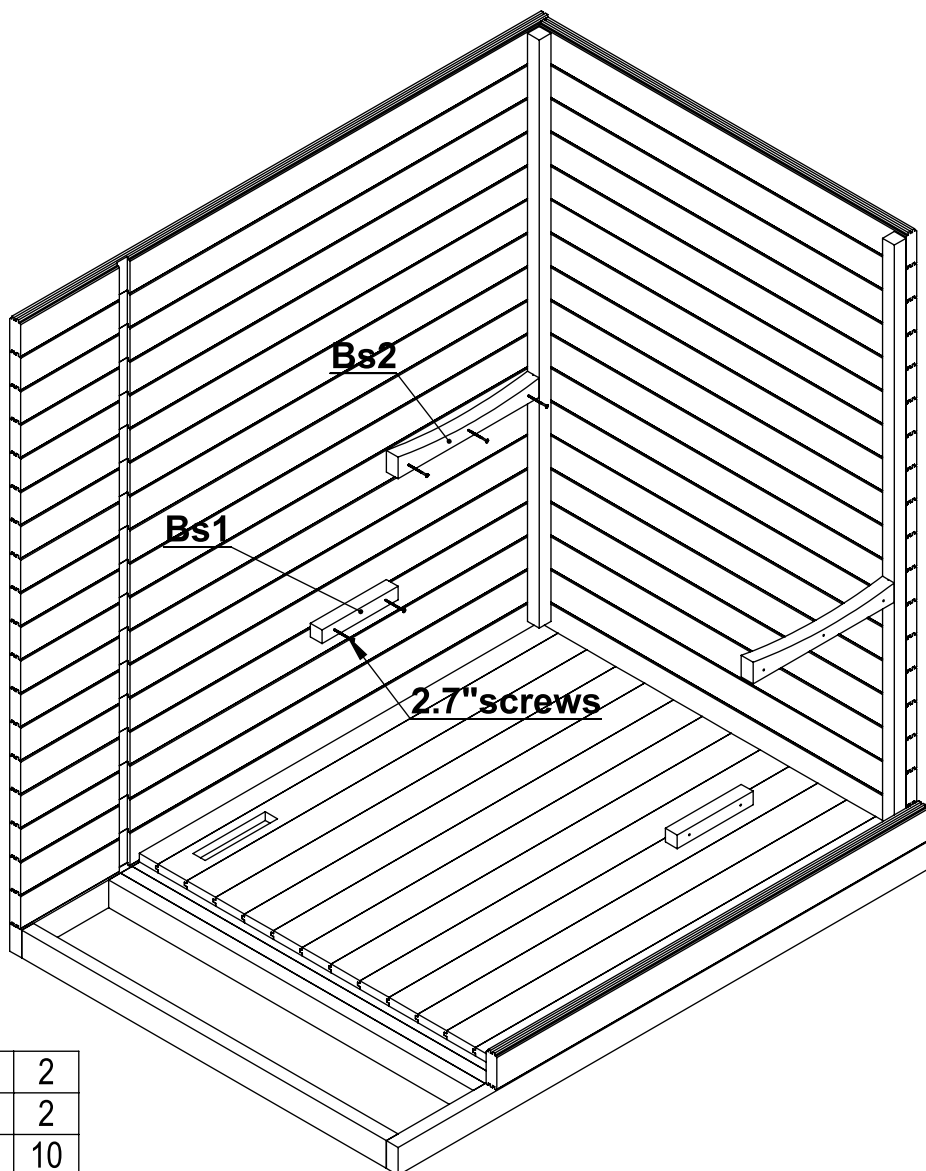
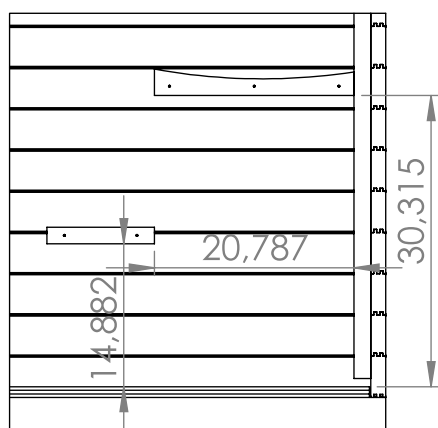
1.77" screws



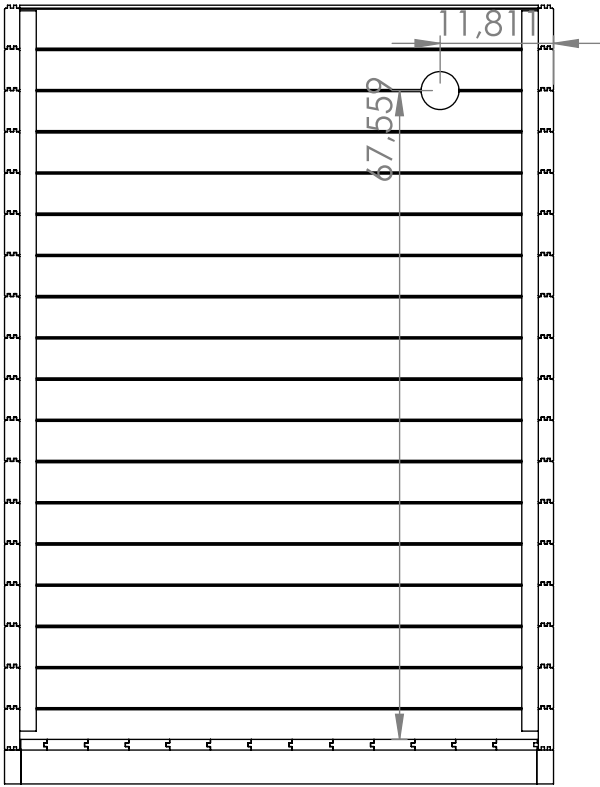


Flb	1"x4.6"x58.9"	11
Flb2	1"x4.6"x58.9"	1
Flb3	1"x2.7"x58.9"	1
1.77" screws		48
2" screws		4

Measure the required distance, then fix the upper and lower supports to the walls. The marked line on the upper bench supports should align with the corner posts. Use 2.7" screws for this step.

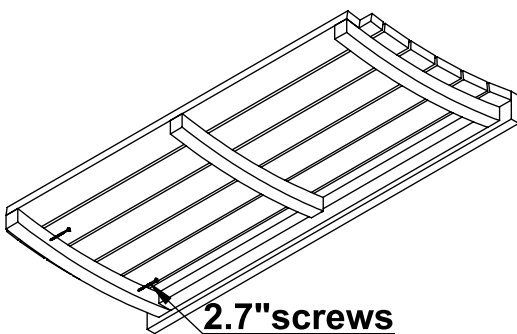
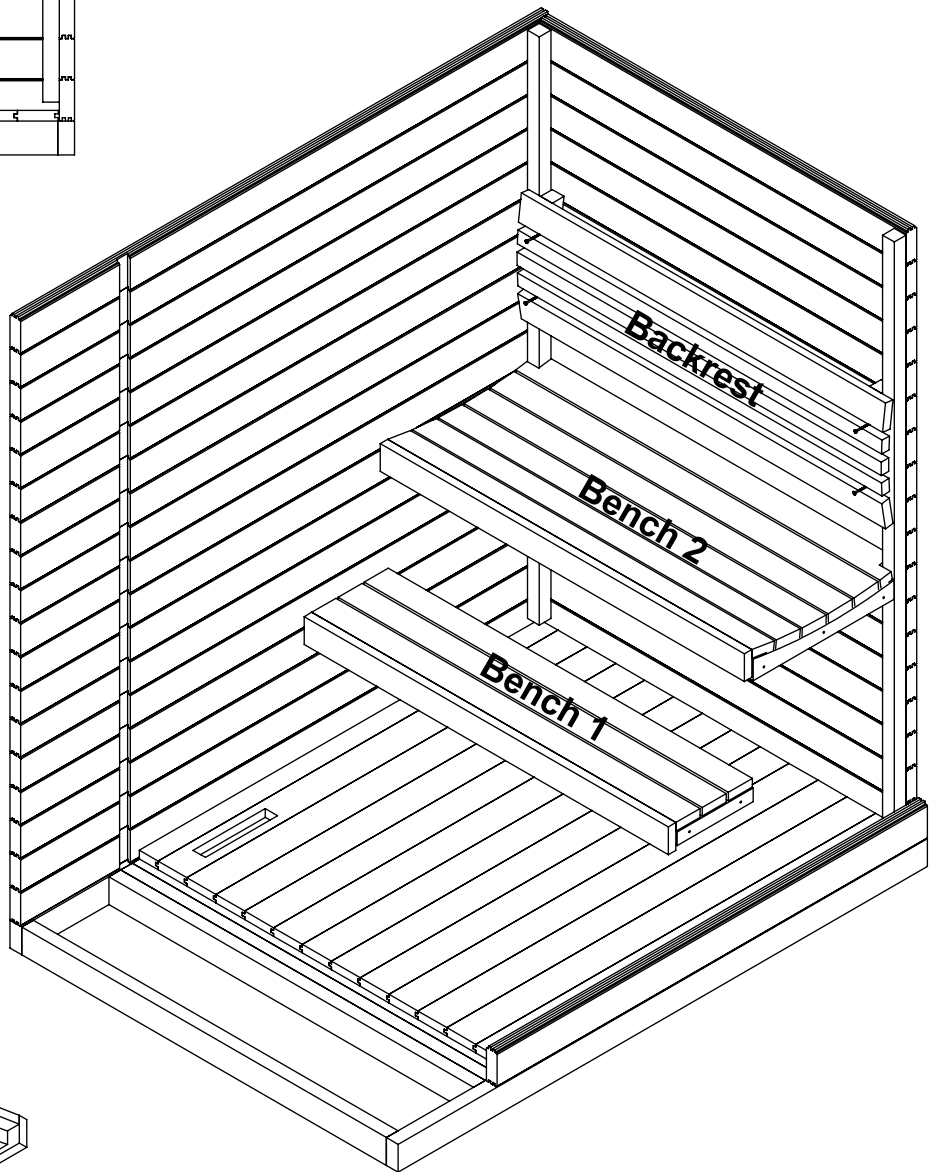


Bs1	1.7x1.7x11.2	2
Bs2	1.7x2.7x20.78	2
2.7" screws		10



Cut the ventilation hole in the back wall with a diameter of 3.95" using a hole saw or a jigsaw.

First, lift the benches and place them onto their supports. Make sure to leave a 5mm gap between the benches and the side walls. Secure the benches to the supports by screwing up through the bench's bottom frame using 2.7" screws. It's important not to fully tighten these screws yet. For the backrest, attach it at a comfortable height, approximately 4.7" up from the bench. Use 3.15" screws for this connection.

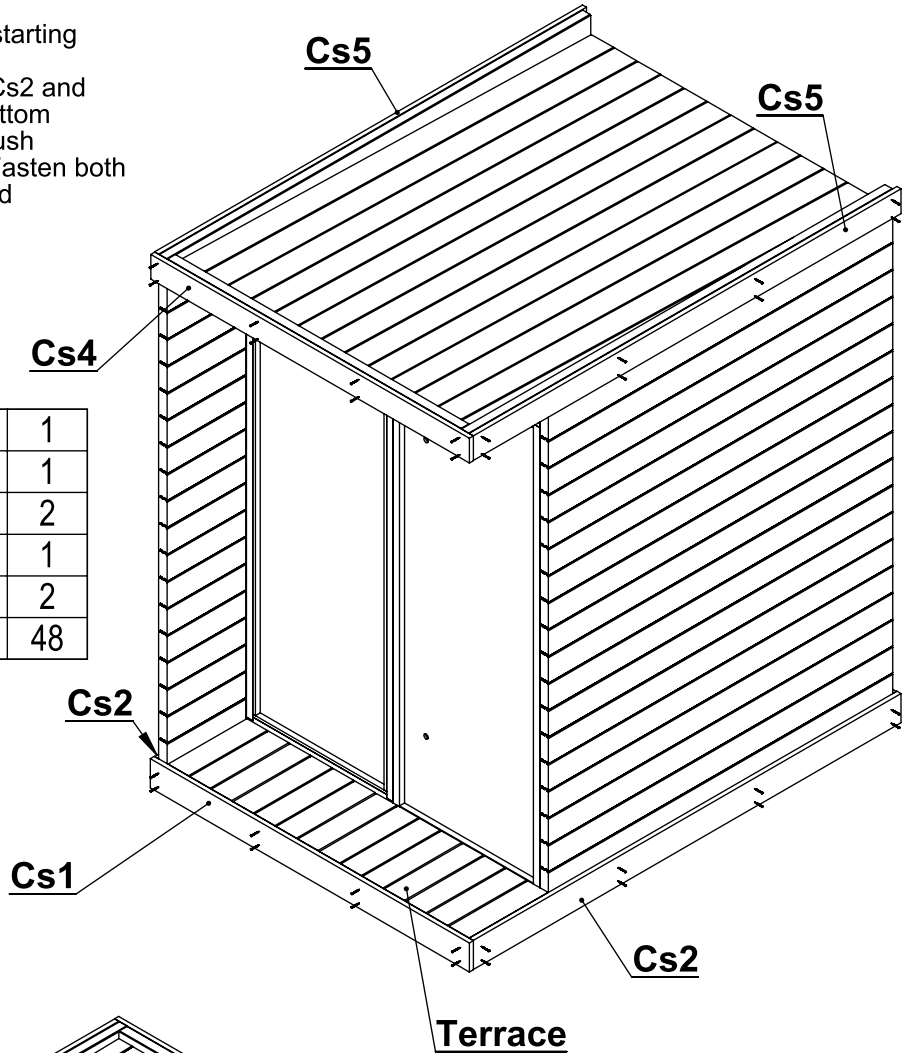


Bottom view

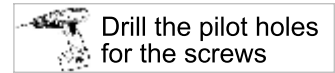
Bench 1	12.3x53.6	1
Bench 2	23.6x53.6	1
Backrest	15.7x53.6	1
2.7"screws		8
3.15"screws		4

Position the terrace in place before starting the cover slat assembly.
 Begin the cover slat assembly with Cs2 and Cs5. Ensure Cs2 is flush with the bottom of the floor supports. Cs5 must be flush with the upper edges of side walls. Fasten both with 1.7" black screws. Next, proceed to fix the Cs1 and Cs4 cover slats.

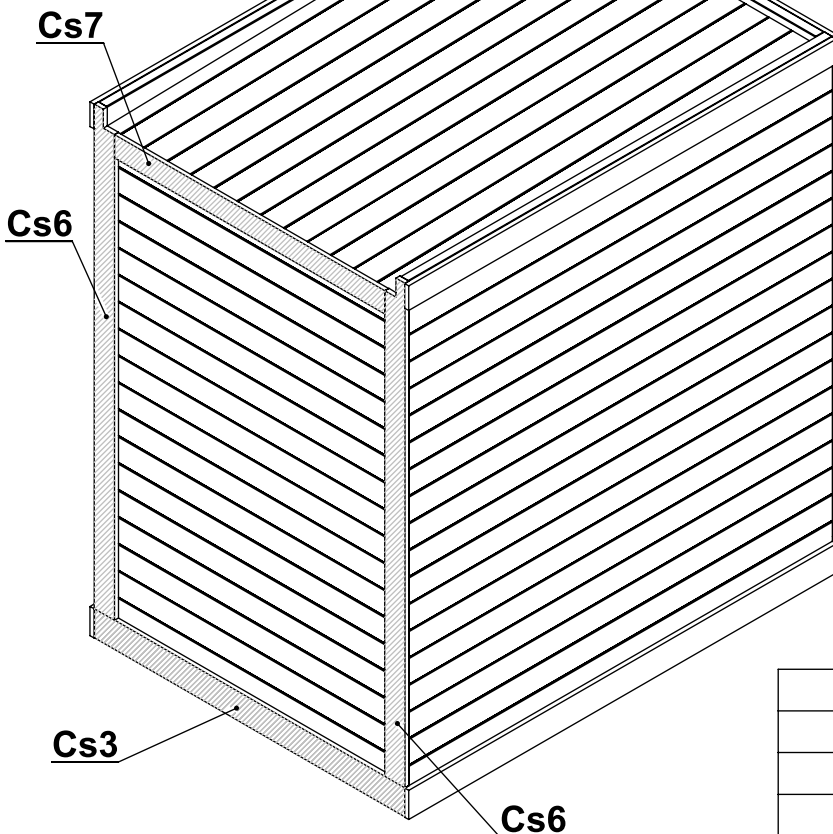
Terrace	14.5"x55.4"	1
Cs1	0.7"x4.65"x58.6"	1
Cs2	0.7"x4.65"x78.7"	2
Cs4	0.7"x3.93"x58.6"	1
Cs5	0.7"x3.93"x78.7"	2
1.6" screws	(black)	48



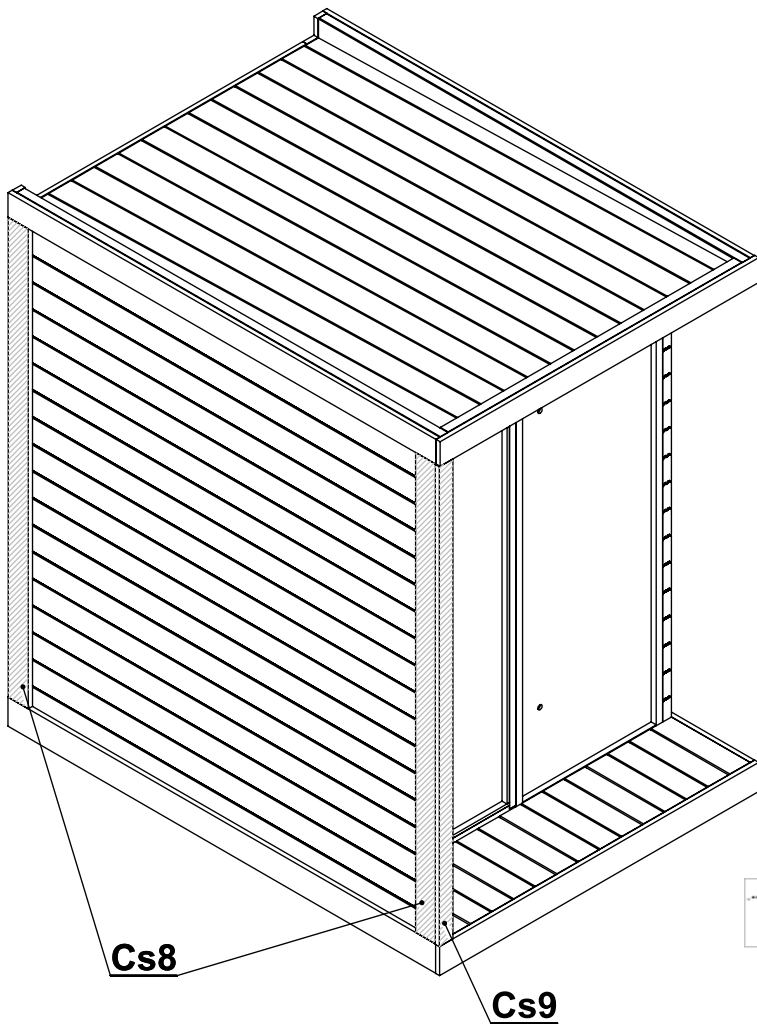
Continue cover slats assembly on the back side. When you're working with Cs6, make sure its corner cutout is flush with the roof boards. If you find it's a bit too high, simply use a saw to cut it down to the correct dimension.



Drill the pilot holes for the screws

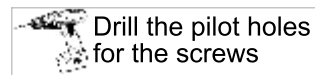


Cs3	0.7"x4.65"x57.16"	1
Cs6	0.7"x3.7"x80.4"	2
Cs7	0.7"x3.7"x49.7"	1
1.6" screws	(black)	34



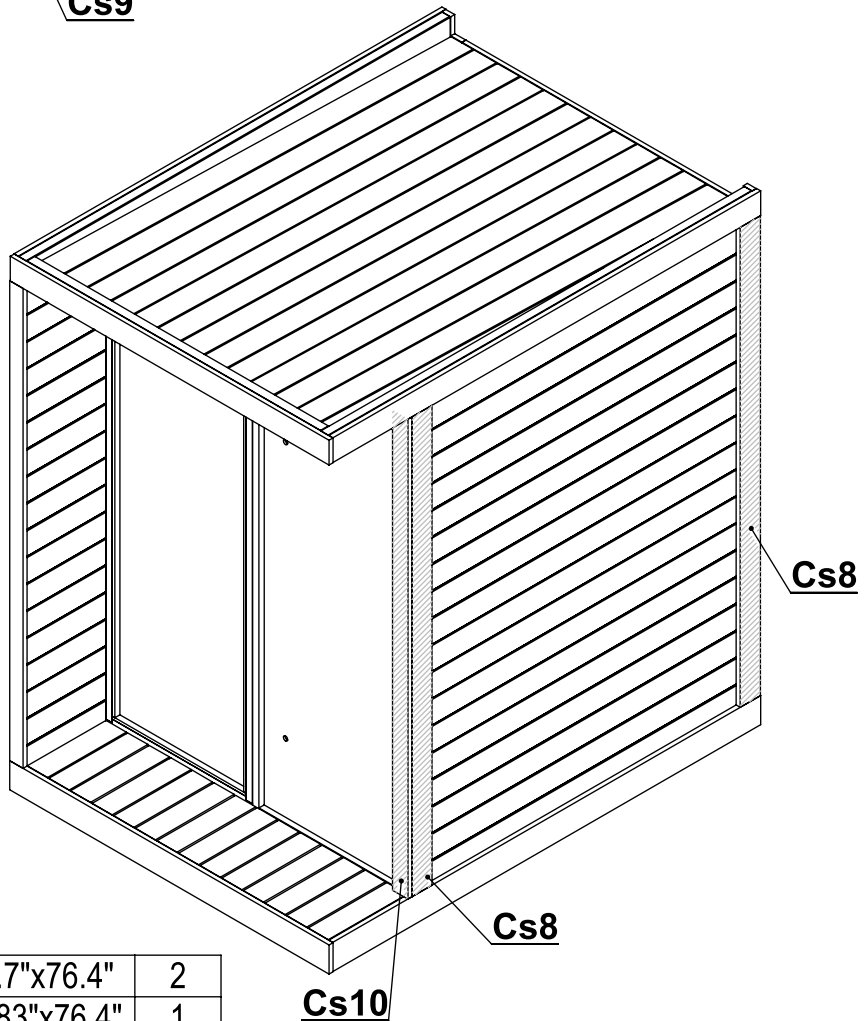
Cut this boards to the right length and fasten with 1.6" screws.

Cs8	0.7"x3.7"x76.4"	2
Cs9	0.7"x2.44"x76.4"	1
1.6" screws	(black)	15



Cs8

Cs9



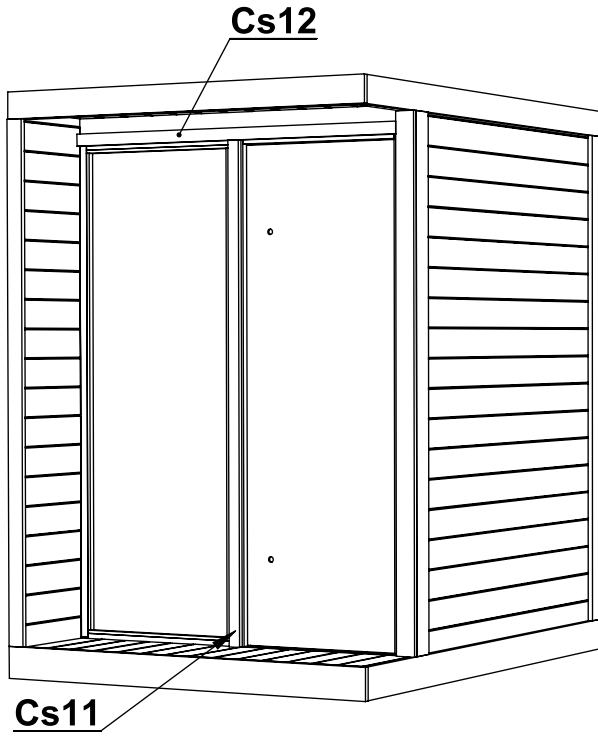
Cut this boards to the right length and fasten with 1.6" screws.


Cs8	0.7"x3.7"x76.4"	2
Cs10	0.7"x2.83"x76.4"	1
1.6" screws	(black)	15

Cs8

Cs8

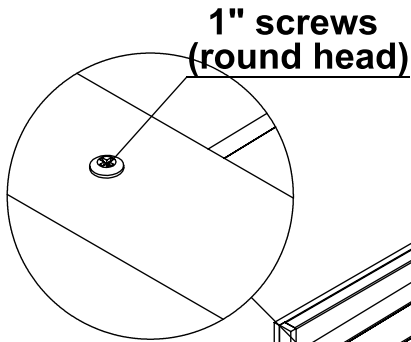
Cs10



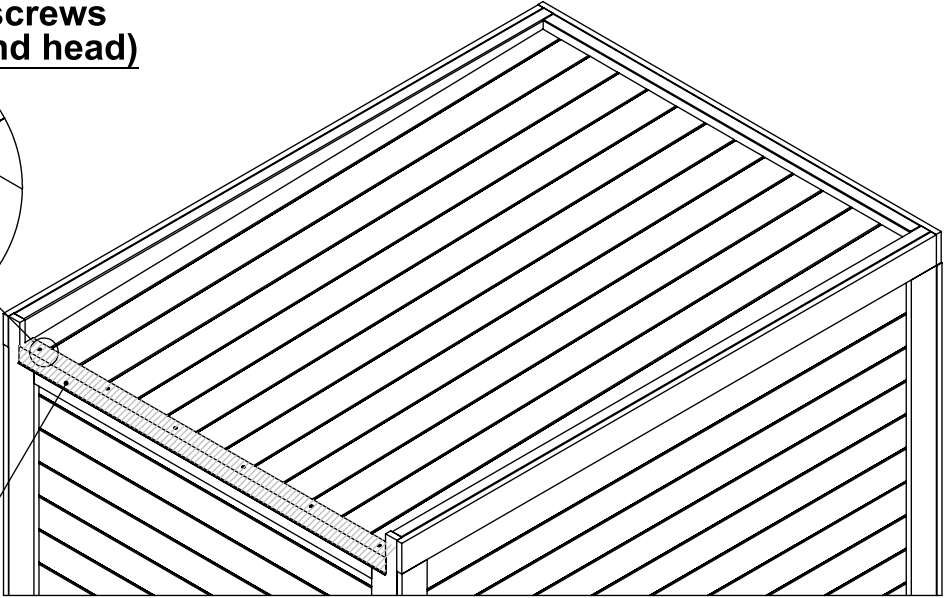
 Drill the pilot holes for the screws

Cs11	0.7"x1.77"x73.3"	1
Cs12	0.7"x1.77"x53.4"	1
1.6" screws	(black)	10

Attach the back wall roofing sheet to the roof boards using 1" screws.

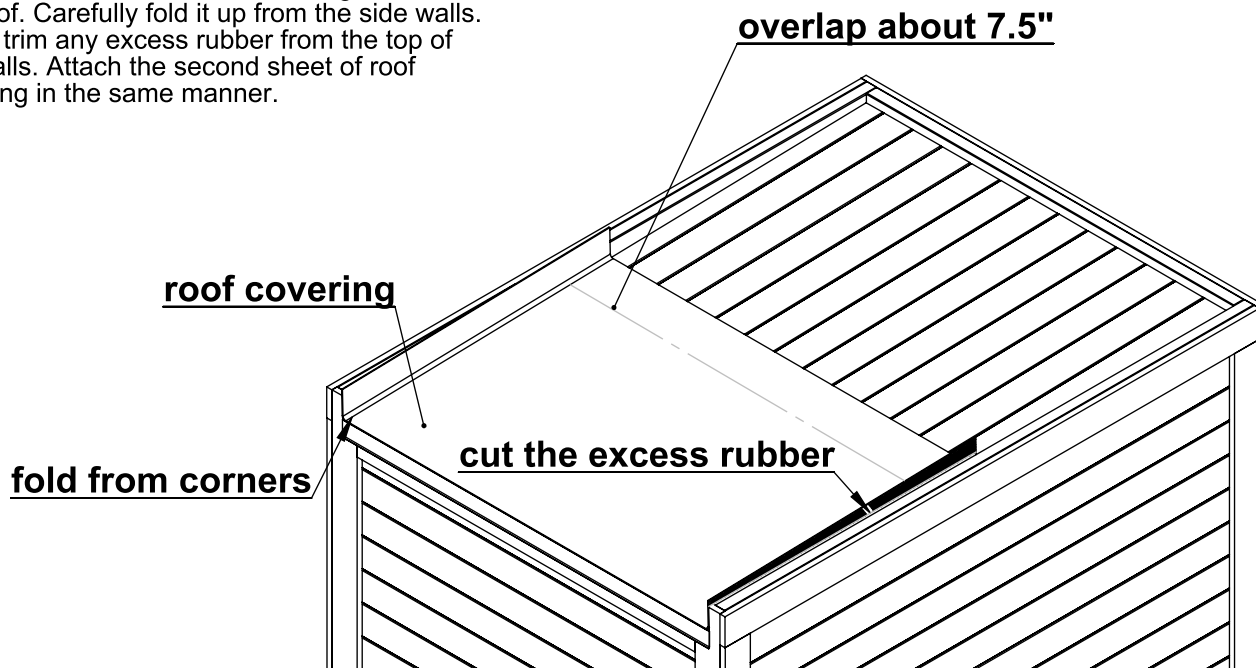


Metal roofing sheet (Back wall)

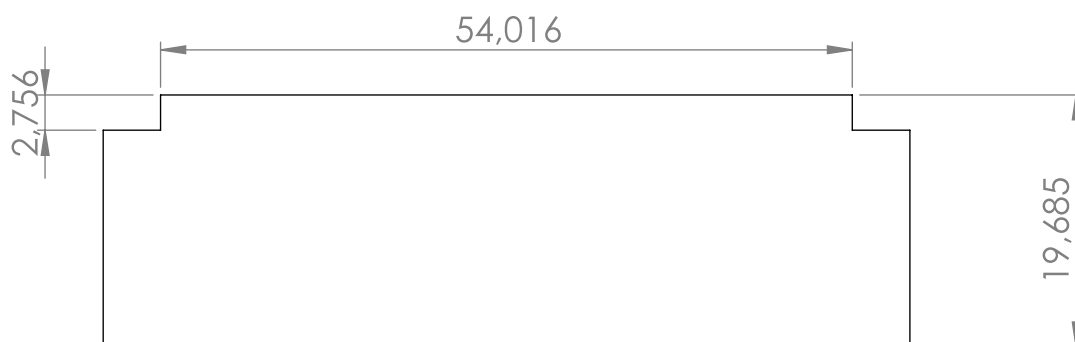


Metal roofing sheet	53.9"	1
1" screws	(round head)	6

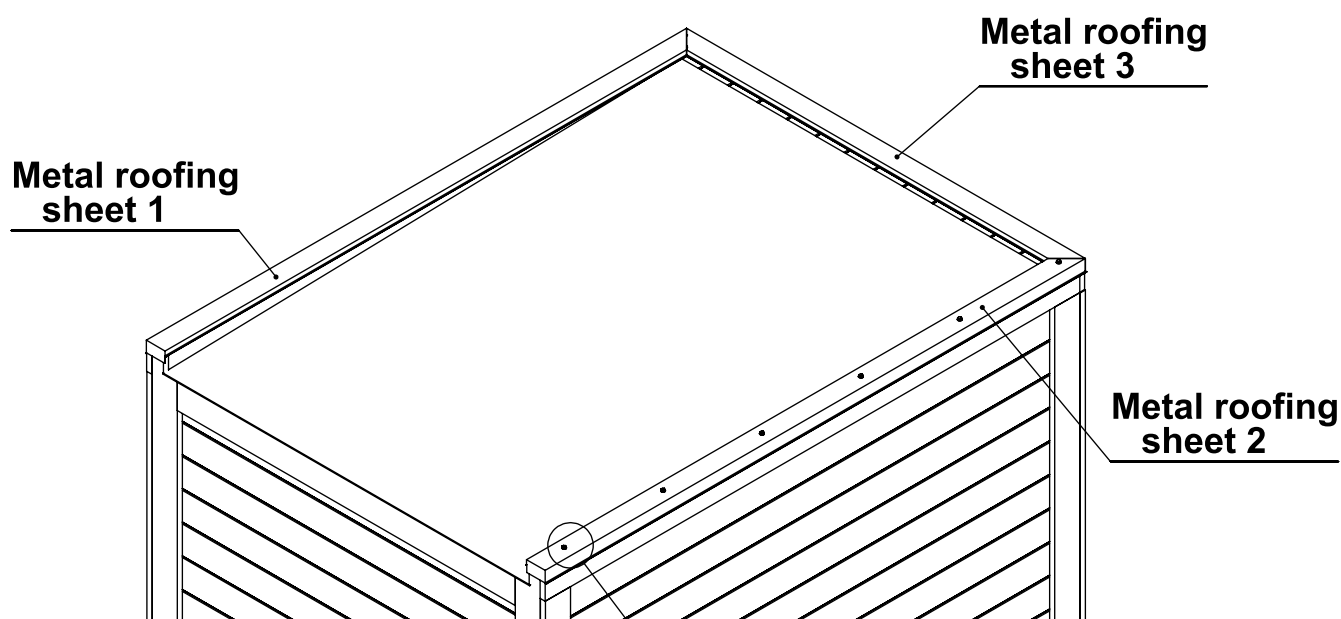
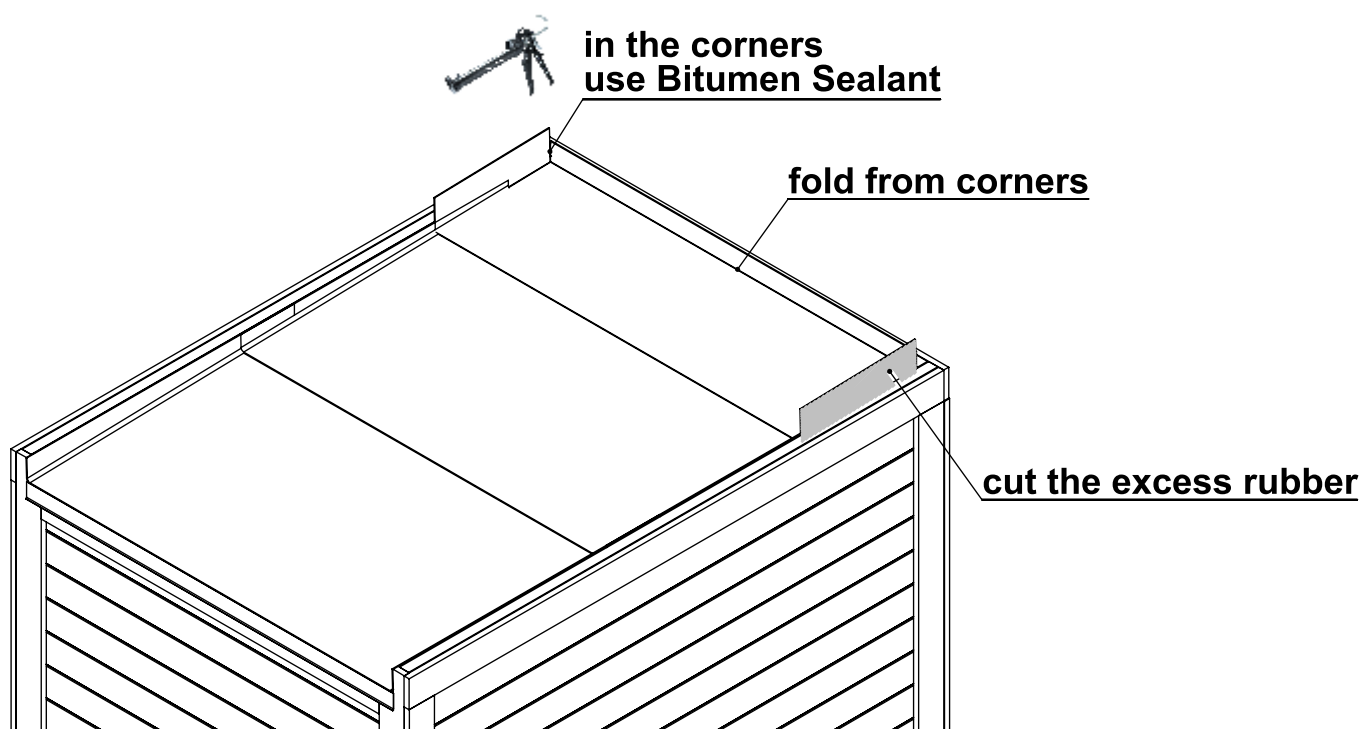
Take your roof material and cut three sheets, each approximately 63" long. Begin the assembly from the back side of the sauna. Place the first sheet of roof covering onto the roof. Carefully fold it up from the side walls. Then, trim any excess rubber from the top of the walls. Attach the second sheet of roof covering in the same manner.



Cutting the last sheet of roof covering

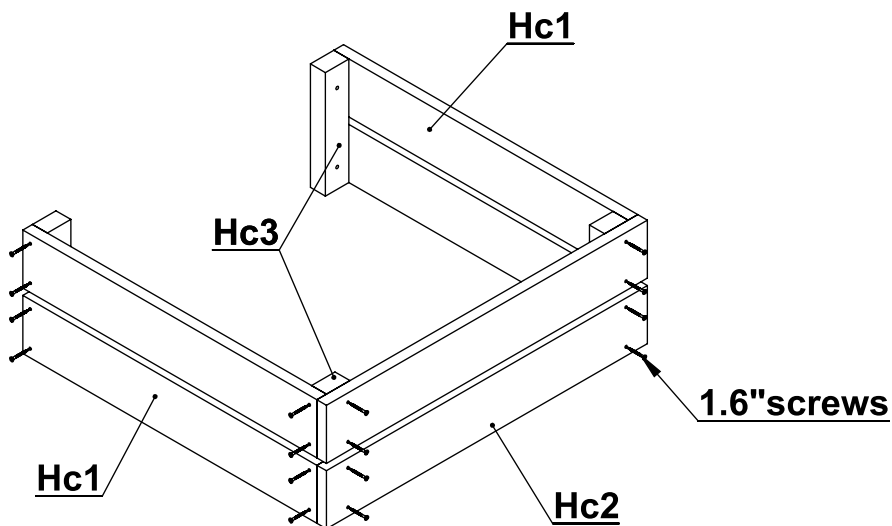


Now, place the last sheet of roof covering onto the roof. Carefully fold the material up from the side wall corners and around the front beam corner. Once it's neatly in place, trim off any excess rubber.



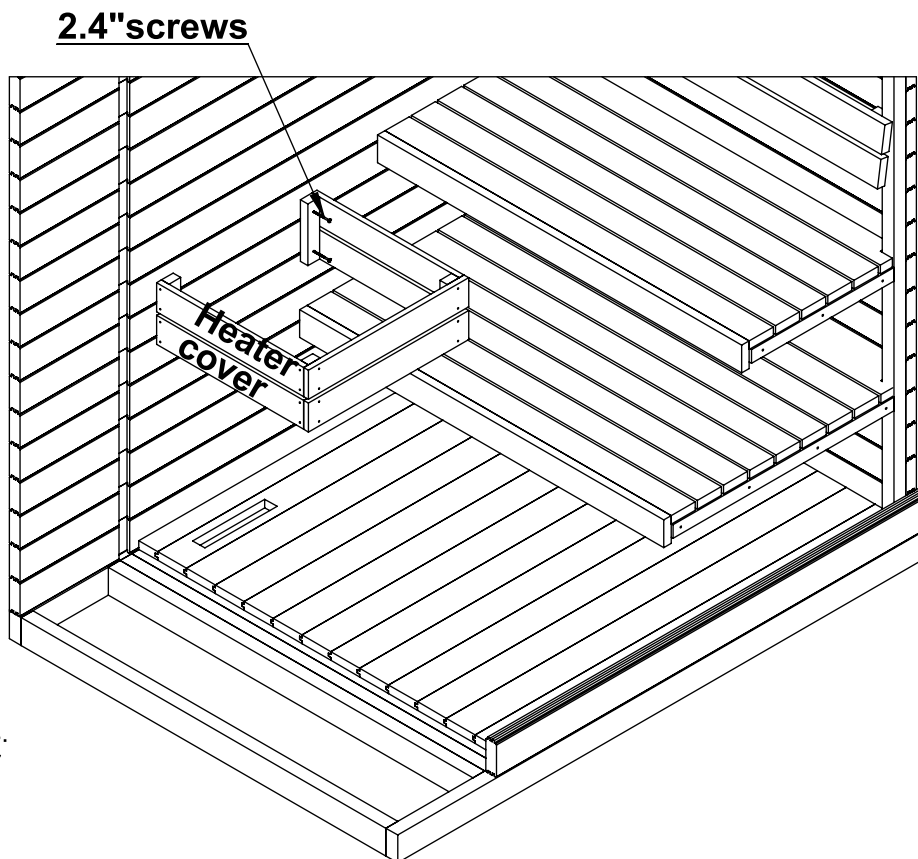
Metal roofing sheet 1	78.7"	1
Metal roofing sheet 2	78.7"	1
Metal roofing sheet 3	59"	1
1" screws		26





Hc1	0.7"x3.7"x21.65"	4
Hc2	0.7"x3.7"x23.62"	2
Hc3	1.1"x1.7"x7.87"	4
1.6" screws	black	24

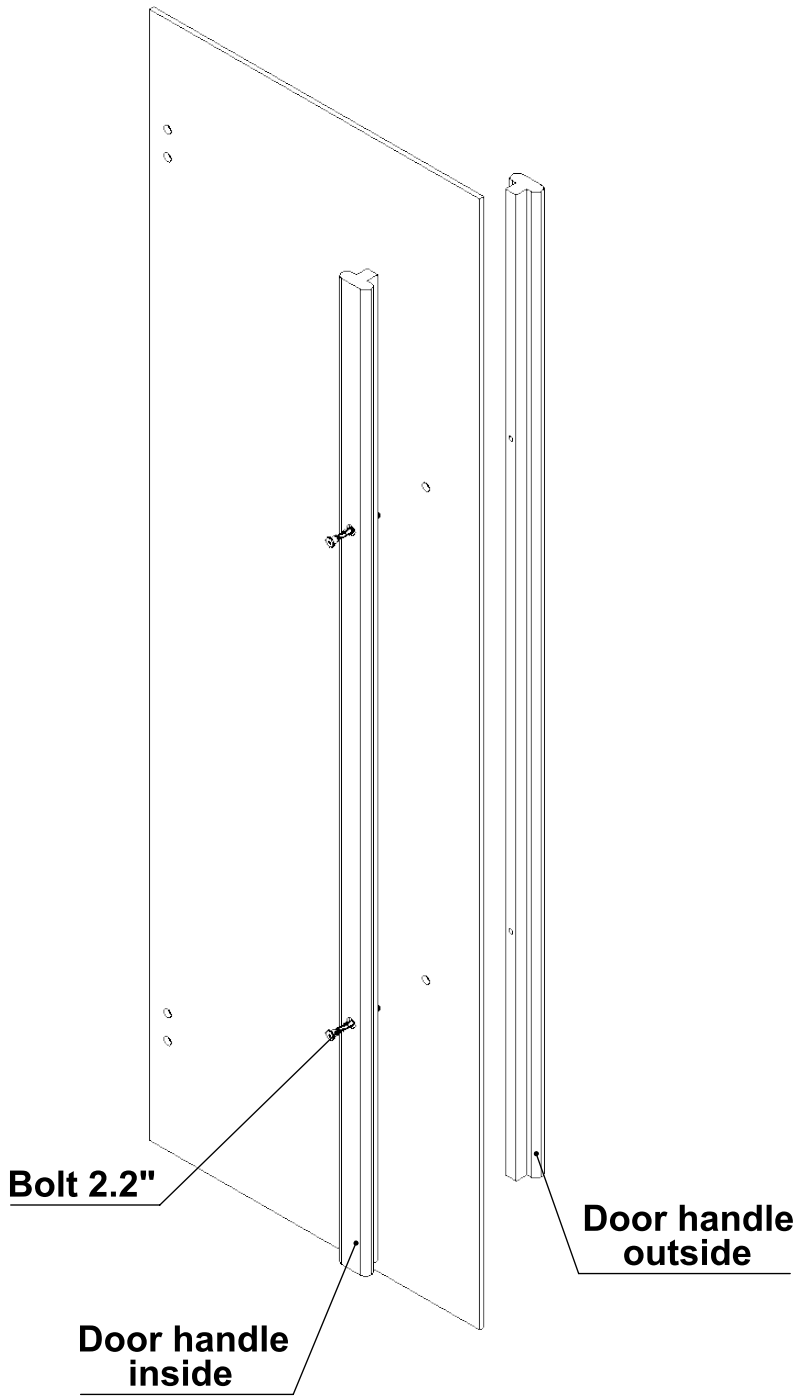
ATTENTION!
HEATER GUARD MAY NOT
MEET THE SAFETY DISTANCES
OF ALL HEATERS AND SHOULD
NOT BE USED IF THE HEATER
DOES NOT FIT



Connect the heater cover to the wall with 2.4" screws. Perform this step only after heater is installed.

Heater cover	1
2.4" screws	4

Door handle assembly

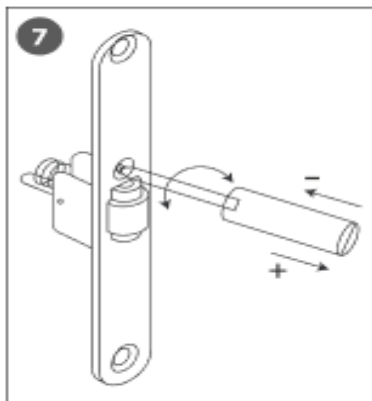
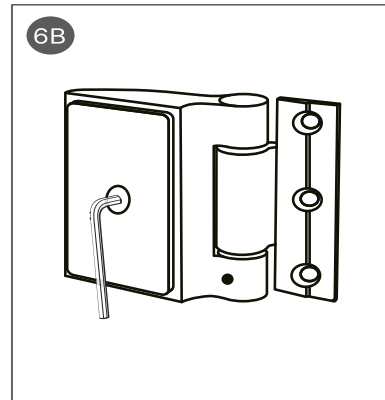
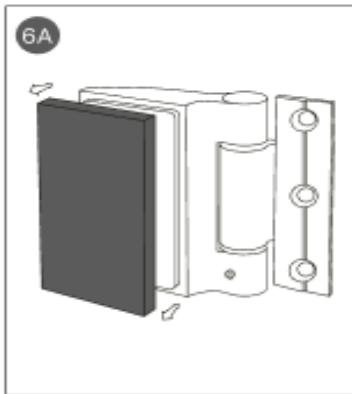


ADJUSTING THE SAUNA DOOR

6A. If needed then the position of the glass can be adjusted by removing the hinge cover from the inside.

6B. Loosen the hinge bolts, adjust the glass to the desired position, then tighten the bolts to secure it.

7. The door kit includes a roller latch and if it is necessary to adjust this during installation, then this can be done by adjusting the latch's bolt so it works smoothly but the door can still remain tightly shut.



Garden Luxury Series GL4 Outdoor Sauna 80D" x 59W" x 86H"

Product installation instructions

- When building a wooden product, its high-quality and precise installation is important, so that the wood is protected and its durability is guaranteed.
- As an organic material, wood needs regular maintenance to preserve its properties for longer.
- Handle product details with care during installation.
- Do not scratch the surface of the wood or let the boards rub against each other.
- Thermally treated wood has a characteristic smell that diminishes over time, but does not completely disappear. In a sauna, the smell weakens faster if it is heated for a long time and aired at the same time. The smell is softened by treating the wood with a suitable wood oil or wood care product. Do not wash untreated thermal wood with water, as this will make the smell stronger.
- Read the installation and user manuals of the product and the installation manuals of all the devices used.
- Make sure that the wooden materials are not constantly exposed to water during and after installation. The base surface of the product must be suitable for light construction outerbuilding, with sufficient bearing capacity and sufficiently stable.
- The product must be installed on a pre-made foundation that is level - this ensures trouble-free operation of doors and windows.
- Immediately after installing the product, check the mobility of the windows and doors, if necessary, adjust and lubricate with suitable lubricants.
 - In the future, regularly check the condition of window and door hinges and locks. If necessary, tighten the hinge bolts, adjust the locking and use suitable lubricants.
- All electrical and plumbing work must be carried out by a qualified specialist (including the installation of an electric heater).
- It is mandatory to treat the wooden parts of the product with a wood preservative immediately after setting up the product (see also point 2 of the Warranty conditions) in order to protect the wood from moisture and other circumstances affecting the wood. Special wood protection products for wooden products (including saunas) are available in a well-stocked hardware store. The manufacturer is not responsible for products that are damaged due to non-treatment with a wood preservative or incorrect installation!
 - If the product comes with wooden skirting boards that can be attached to the edges of the roof, they must be finished and installed immediately after the product is erected.
- Protective products improve the wood's resistance to dirt and moisture, make it easier to clean and make the appearance more beautiful. We recommend finishing the product with a wood preservative at least once a year or more often, it significantly extends the life of the product.
- A few times a year or as needed, check and adjust the condition of the product's wicks, tighten or loosen if necessary.

Garden Luxury Series GL4 Outdoor Sauna

80D" x 59W" x 86H""

Additional advice on SAUNA INSTALLATION AND MAINTENANCE

Installation of the heater and heater stones

- Make sure that the manufacturer's instructions are followed when installing the heater and chimney.
- Wash heater stones before placing them on the heater to remove stone dust and any manufacturing chemicals.
- Install the heater stones according to the manufacturer's instructions and make sure that the heating elements are not visible, as pouring water directly on them can shorten their life.
- Do not use the sauna during the first heating.
- The first heating must take place under supervision for two hours to a temperature of about 100°C. The sauna must be well ventilated both during and after heating. Due to the heat, the wood absorbs the finishing materials and a protective layer is formed from them.

During use

- If there is a water tank, fill the water tank with water. If the water in the water tank boils, some of it can be drained out for washing and replaced by cold water in the tank.
- For a wood heater, use dry firewood up to 30 cm long.
- When making a fire, keep the ash door slightly open - air can move better. When the wood has caught fire, close the ash pit.
- Throw steam water only on the heater, not on the walls or the sauna bench.
- Do not wear swimwear in the sauna, because the water dripping from them will damage the sauna bench.
- To keep the sauna bench fresh, we recommend using seating pads - this way it is more comfortable to sit on a hot bench.
- Check the heater stones as they can crack over time. Stones can be replaced or added if necessary.

After each use

- Wipe the sauna bench with a clean damp cloth. Do not use running water to clean the bench and make sure that there are no puddles on the wooden surface.
- Use suitable cleaning products for cleaning the sauna bench and other wooden parts.
- After cleaning the sauna, let the surfaces dry and ensure that the room is well ventilated. We recommend leaving the heater on for at least half an hour, with the vent open and the door and windows closed at the same time.

At least once a year

- Treat the wooden surfaces of the sauna with a suitable product. If the sauna is used often, the surfaces should be treated more often.
- Clean all seating surfaces, walls and ceilings with a soft brush or cloth and a special cleaning agent, following the instructions provided.
- For heavier stains and dirt, first clean the sauna bench with fine sandpaper and then treat the sanded surface with a wood preservative.
- Do not use paints or varnishes, because the wood must be able to breathe.
- Avoid using cleaning products unsuitable for the sauna. For example, disinfectants bleach wood and can damage its surface.
- Check the mounting of benches and supports. If necessary, overtighten the screws - they can loosen over time as the wood changes with heat and moisture.

Garden Luxury Series GL4 Outdoor Sauna 80D" x 59W" x 86H"

What to avoid?

- Do not dry textile items in the sauna, as this can be a fire hazard. Excessive moisture can also damage the surface of the wood.
- Avoid heating the sauna above the maximum temperature specified by the heater manufacturer. Excessive heat can create a fire hazard and the wood can also start to warp.
- Do not use a pressure washer or running water to clean the sauna, because excessive moisture can permanently damage the structure and surface of the wood.

How does the wood used in the sauna change?

- Wood is a natural material and changes in temperature can cause its surface to crack or warp.
- Given the extreme temperature and humidity fluctuations that occur in saunas over a short period of time, such changes in wood are normal.
- The risk of deformation depends on the material and its intensity of use, and the changes are more visible in the case of wider boards.
- Wood materials in the area most exposed to hot steam may darken over time.

Sauna Care Guide

Surface Preparations:

- The soil underneath the sauna should be removed and replaced with a well-drained and load bearing material.
- It is important to ensure that the surface is load bearing. In addition, it is important to limit the growth of flora underneath and around the sauna to minimize any defects from moisture.
- Bring the power cable to the sauna in accordance with the heater manufacturers' manual.

During sauna use:

- When using the heater and the control unit refer to the user manual provided by the heaters' manufacturer.
- Throw water only on the stones and not on the walls or the platform.
- To keep the platform looking fresh, we advise using seating pads or a towel on the bench.
- Avoid sitting on the platform in wet swimwear.
- Keep an eye on the stones as they might break down in time. Replace old stones with new ones or add new stones.
- Avoid use of non-compliant cleaning agents. For example, disinfectants bleach the wood surface and may ruin it.

After sauna use:

- After using the sauna, ventilate the room and allow the surfaces to dry.
- Wipe off the platform with a clean, damp cloth. Keep excess water from pooling on wood surfaces. Do not use a stream of water to wash the platforms.
- After cleaning the sauna, ventilate the room and allow surfaces to dry. Remove seating pads from the benches.
- When not using the sauna, the door should remain closed.

Annual Maintenance:

- The wood in the sauna should be treated with a specific cleaning compound (sauna cleaner).
- Wash all parts of the platform on all sides with a special cleaning compound (sauna cleaner), using a soft brush and/or cloth. Follow the directions of the cleaning compound manufacturer.
- For stronger stains and soiling, the platform surface can be cleaned gently using fine-grade sandpaper. The platform or sanded surface should then be re-treated with protectant.

Avoid the following:

- Drying textiles such as carpets and clothing etc. as this may pose a safety hazard. Excessive moisture may also damage the surface of the wood.
- Do not heat the sauna to a temperature beyond the specifications of the heater manufacturer. Excessive heat may cause the wood to warp or pose a safety hazard.
- Pressure washing or using a stream of water to clean the sauna, as excess moisture may permanently damage the wood surface and structures.



SAUNA LIFE SAUNA LIMITED LIFETIME WARRANTY

Sauna Life extends this Limited Warranty solely to the original retail consumer purchaser of any Sauna Life sauna purchased from one of its authorized resellers.

LIMITED LIFETIME SAUNA WARRANTY

Sauna Life warrants that the Sauna Life sauna shall be free from defects in workmanship under normal conditions of use and service for the lifetime of the sauna for residential applications after delivery to the original retail purchaser. This warranty is limited to making good any factory assembled component which in the judgment of Sauna Life is deemed defective in workmanship. The warranty does not cover normal material wear, natural weathering of the lumber, or installation or delivery of components and applies only to the original retail purchaser.

WARRANTY PERFORMANCE

For any warranty service, Sauna Life reserves the right to choose, at its option, repair of the problem or a replacement of the defective part. Sauna Life reserves the right to substitute a part or component of equivalent value, either new or factory reconditioned, and any such repair or replacement shall assume as its warranty only the remaining portion of the warranty on the original product. In the event Sauna Life chooses to repair any malfunction or defect covered by this warranty, a return authorization will be issued, and the component will be returned prepaid freight to Sauna Life for repair of the defect. Sauna Life will then ship the component back the original retail purchaser upon completion of the repair. Prior to any return, contact Sauna Life at: Sauna Life, 511 Glenn Avenue, Wheeling, Illinois 60090, telephone number: (800) 957-2862, for packaging and shipping instructions and a return authorization number. In addition, Sauna Life will require photographs of any defect and reserves the right to inspect or designate an agent to inspect any part that is claimed to be defective and covered by this warranty. Labor charges and related expenses for removal, installation, or replacement of the sauna or its components are not covered under this warranty. Normal wear and tear, cosmetic issues or changes to individual pieces of lumber due to natural aging and weathering are not covered. Sauna heaters and added components are not covered by this warranty.

ACTS INVALIDATING WARRANTY

This warranty is void if the Sauna Life sauna has been subject to alteration, misuse or abuse, commercial use, or if any repairs on the sauna are attempted by anyone other than an authorized representative of Sauna Life. Alteration shall include, but is not limited to, deviation from the original assembly instructions, component change, or the addition of any non-approved device or heating system, which contributes to a component or unit failure, or unsafe operating system. Use of the sauna in an application for which it is not designed will void this warranty. This includes, but is not limited to, damage caused by operation above safe sauna operating temperatures, damage caused by added components, damage to the sauna's surface caused by harsh chemicals, damage caused by movement of the product, and damage caused by acts of God.

DISCLAIMERS

Except as expressly provided above, Sauna Life makes no other representation or warranty, express or implied, either in fact or operation of law, statute, or otherwise, and Sauna Life specifically disclaims any and all implied or statutory warranties, including warranties or merchantability and of fitness for a particular purpose. Sauna Life shall not be liable for loss of use of the Sauna Life sauna or other incidental or consequential costs, expenses, or damage, which may include but are not limited to, the removal of or reinstallation of a wall, deck or other fixture, water leakage, costs of shipping or packaging, applicable taxes, or the payment of any costs or expenses of disassembly, removal, or reinstallation of the product or any part. Your rights may vary from state to state. Under no circumstances shall Sauna Life or its representatives be held liable for injury to any person or damage to any property, however arising, even if caused by the Sauna Life Sauna or its representatives' negligence. No distributor, salesperson, dealer, retailer, or other representative of Sauna Life has the authority to alter or change these warranties either orally or in writing.