



Dimming Sauna Light Kit



Dimmable - Flexible LED Strips Installation & Operation Guide

TABLE OF CONTENTS

SAFETY INFORMATION & WARNINGS **3**

PACKAGE CONTENTS **4**

SPECIFICATIONS **5**

LED HANDLING **6**

CONNECTION DIAGRAM **7**

INSTALLATION **8**

STARTUP & TESTING **11**

Wi-Fi SETUP **12**

TROUBLESHOOTING **13**

REPLACEMENT PARTS **14**

Technical Support: (224)253-5909

©2026 Bathing Brands, Inc.

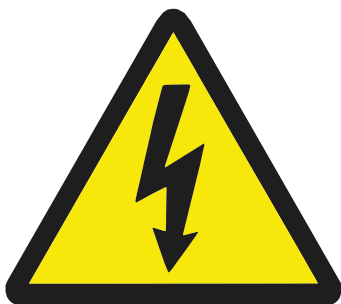
SAFETY INFORMATION & WARNINGS

READ THIS ENTIRE MANUAL BEFORE INSTALLATION
Improper installation or use may result in equipment damage.

- **Qualified Personnel Only:** Installation of this lighting system must be performed by a licensed electrician in accordance with all national and local electrical codes. Equipment Protection: The LED driver and power supply must be installed in a dry, protected location that is completely protected from rain, condensation, and inclement weather.
- **Temperature Limitations:** Refer to the component temperature ratings listed on page 4. Do not install any component in locations where the ambient temperature exceeds the rated limits. Installation beyond temperature specifications will lead to product failure and void warranty.
- **LED Clearance From Sauna Heater:** Maintain adequate clearance between all LED lighting and the sauna heater. Do not install lights directly above the heater or within 20 inches of the heater's sides.
- **Control Placement:** If installing the control inside the sauna, the Control must not exceed 135°F. Maximum installation height is 30" from sauna floor and minimum of 36 inches away from the sauna heater.
- **Light Placement:** Carefully consider the placement of your LED lights to avoid shining directly into bathers eyes. A diffused or indirect lighting approach is recommended.
- **Uncoil Before Powering:** Do not power on the LED light while it remains coiled on the spool. The strip must be fully uncoiled before applying power to prevent overheating and damage.
- **Avoid Physical Damage:** Do not fold, sharply bend, or twist the LED light as this may damage the LEDs and lead to failure. Refer to the "LED Handling Guidelines" page 6.









Electrical Requirements

Always disconnect power at the circuit breaker before performing installation, servicing, or maintenance



- **Power Source:** This lighting system requires a 120VAC power outlet.
- **Qualified Electrician:** All wiring must be performed by a qualified electrician who can determine the correct circuit type, proper box configuration, and wiring.
- **Electrical Safety:** Using incorrect voltage or improper electrical connections can damage system components and void warranty.

PACKAGE CONTENTS

Image	Description	Quantity		
		839-BDL-129813	839-BDL-129769	839-BDL-129768
	Dimming Control	1	1	1
	RF Driver / Receiver	1	1	1
	LED Light	1x 16ft	2x 16 ft	4x 10ft
	Power Supply	1x 120 Watt	1x 120 Watt	1x 160 Watt
	AC Power Cable	1	1	1
	30' Light Cable	1	2	4
	2-pin 4-Way Cable	1	1	1
	Silicone, Mounting Clip, Screws	Silicone x1 Mounting Clip x16 Screw x16	Silicone x1 Mounting Clip x32 Screw x32	Silicone x1 Mounting Clip x40 Screw x40

SPECIFICATIONS

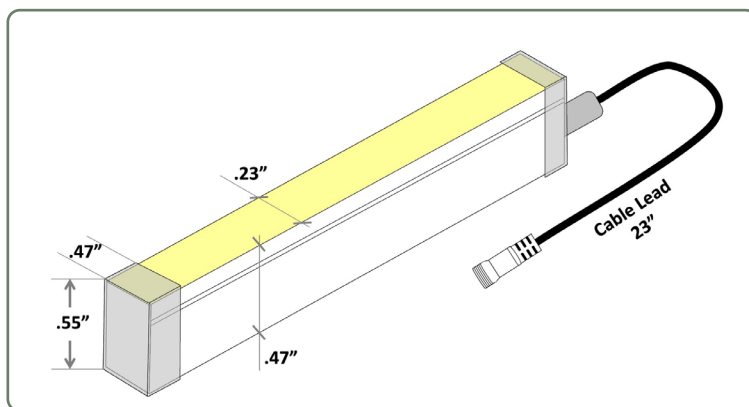
Driver/Receiver

Operating Voltage: 24VDC
Rated Out Current: 9A
Output Voltage: 24 VDC
Max Output Power: 200W
Operating Temp: -4°F - 131°F
Dimensions: 3.75"L x 1.72"W x 1.21"H
Light Capacity: 4 Lights / 40'
IP Rating: IP20
Certifications: CE, EMC

White LED					
Operating Temp: -13°F - 200°F		Max Run: 4 Lights / 40 Linear Feet		IP Rating: IP67	
Length	Operating Voltage (VDC)	Wattage	Lumens	Kelvin Temperature	Certification
10FT	24 VDC	30W	990	3500K	ETL / SGS
16FT	24 VDC	48W	1,584	3500K	ETL / SGS

RF Remote Single-Zone Dimming

Output Signal: RF (433MHz)
Operating Voltage: Self Powered (No Battery)
Operational Life: 200,000 Switchings
Dimming Range: 1% - 100%
Signal Distance: 100ft
Dimensions: 3.38"L x 3.38"W x 0.65"H
Operating Temp: 14°F - 104°F
Zones: 1 Zone Single Color
IP Rating: IP67
Certifications: CE

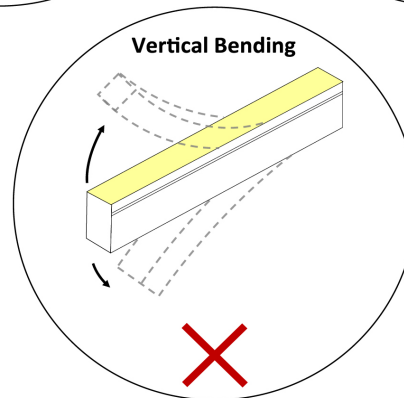
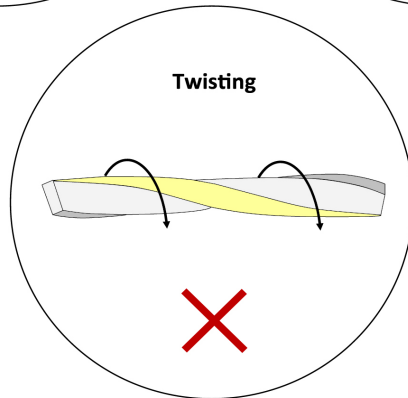
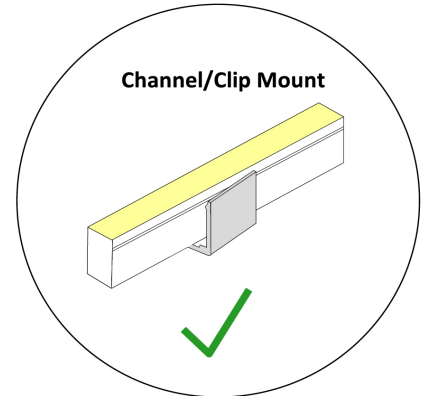
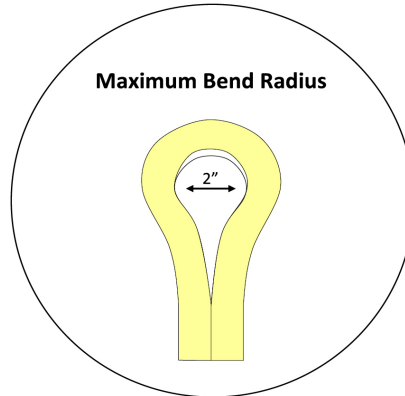
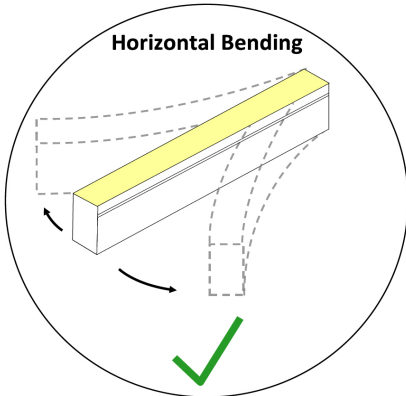


Power Supply 120 Watt 160 Watt

Input Voltage:	120 VAC	120 VAC
Output Voltage:	24 VDC	24 VDC
Rated Power:	120W	160W
AC Current:	1.4A	1.85A
DC Current:	5A	6.67A
Operating Temp:	-22°F - 158°F	-22°F - 158°F
IP Rating:	IP20	
Certifications:	UL, CE, FCC	

LED HANDLING

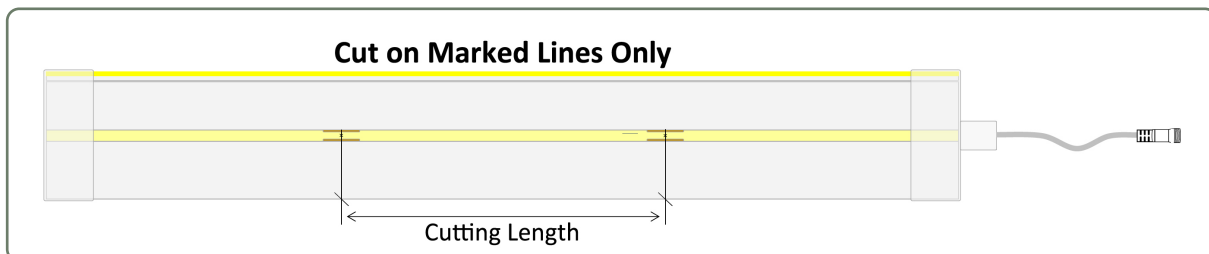
Handle LED Light With Care!



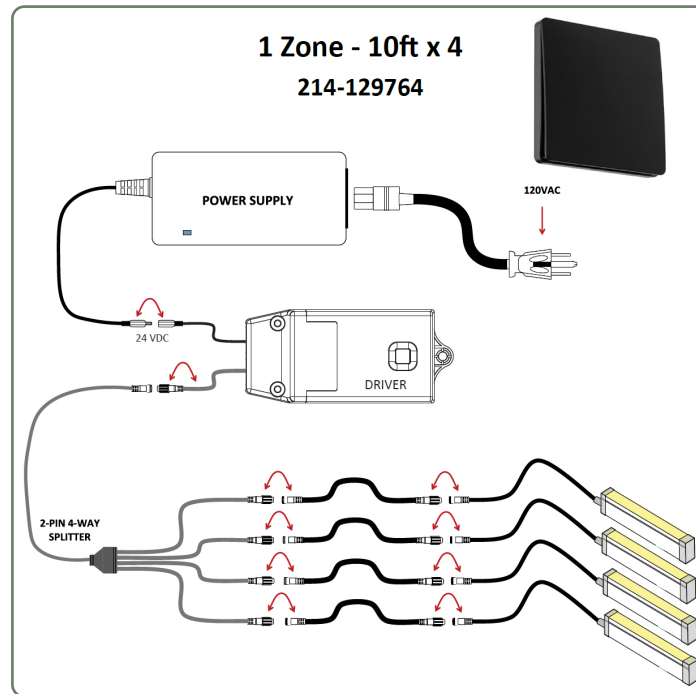
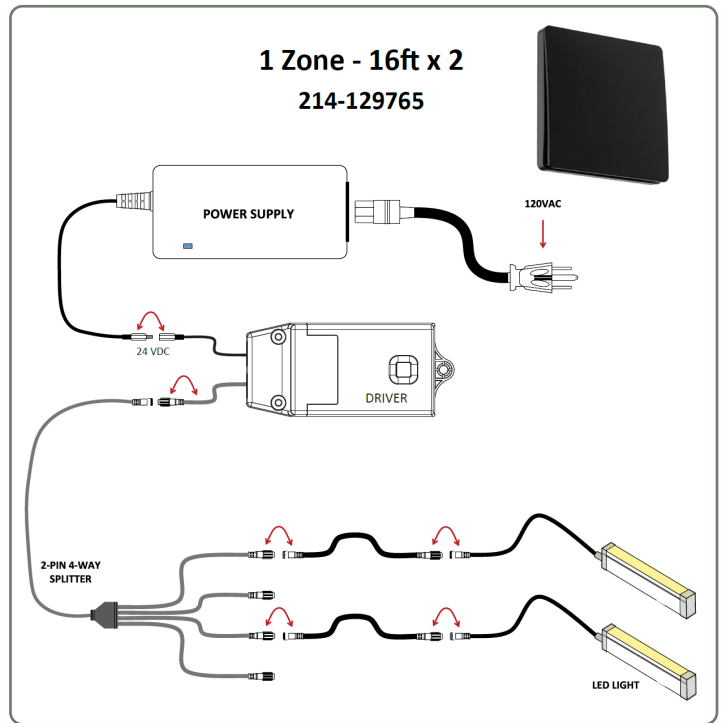
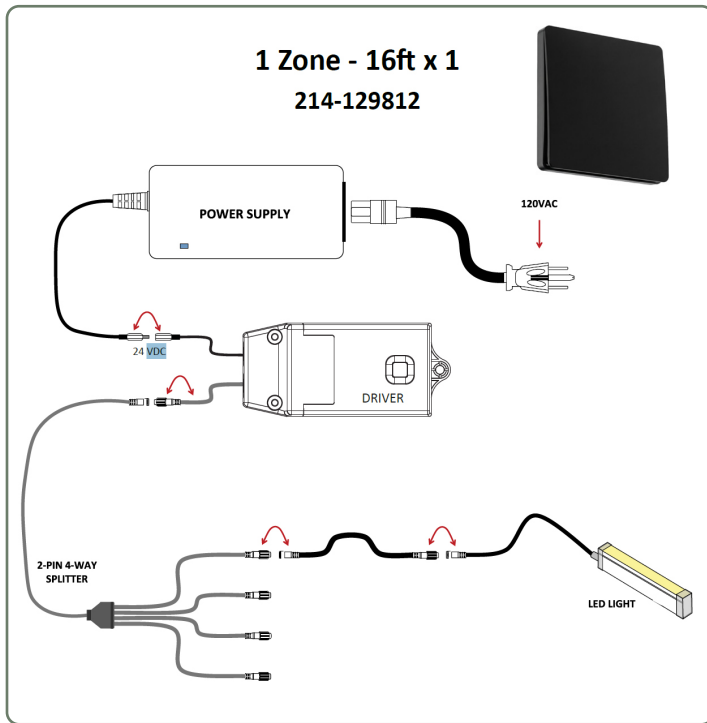
Cutting Flexible LED Neon

Flexible LED Neon can be cut to length if required for your installation.

1. Measure and determine the exact length of LED needed for the installation location.
2. Using sharp scissors or cutters, cut the LED Neon at the closest designated cut point (see diagram below).
3. Important: Cut only on the marked cut lines. Discard the unused cut off section.
4. Apply silicone sealant to the cut end and install new end cap.

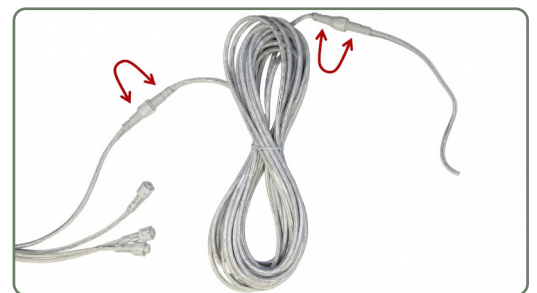
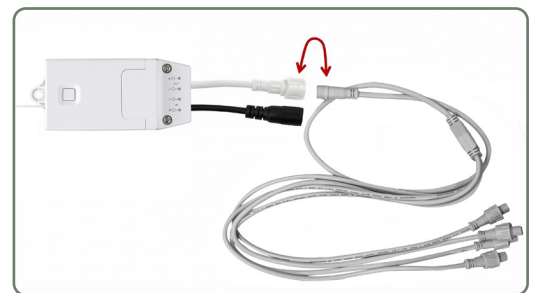


CONNECTION DIAGRAM



INSTALLATION

- Choose a dry and accessible location for mounting the RF Driver/ Receiver.
- Secure the Driver/Receiver to the surface using one screw.
- Verify the Driver's maximum operating temperature is not exceeded in the sauna environment.
- Maintain a minimum distance of 3 Feet from the sauna heater.
- Enclose the Driver/Receiver in a weatherproof enclosure for complete protection from the elements.
- Locate the 2-Pin 4-way cable and connect the single end to the 2-Pin Pigtail cable on the Driver.
- Run the light cable from 4-Way cable to LED light.
- Connect one end of the light cable to the 2-Pin 4-Way cable.
- Connect the other end of the light cable to the pigtail on the light fixture.
- Note: Repeat this step if installing more than one light.
- Locate the Power Supply. Plug the DC lead into the DC pigtail from the Driver.
- Plug the AC cable from the power supply into a 120VAC outlet.



INSTALLATION

STEP 5. Identify LED Install Location:

Identify location where the LED light will be installed.

Common installation spots are:

- Backrest shining up or down
- Under bench
- Sauna Floor
- Exterior Sauna

STEP 6. LED Mounting Clips

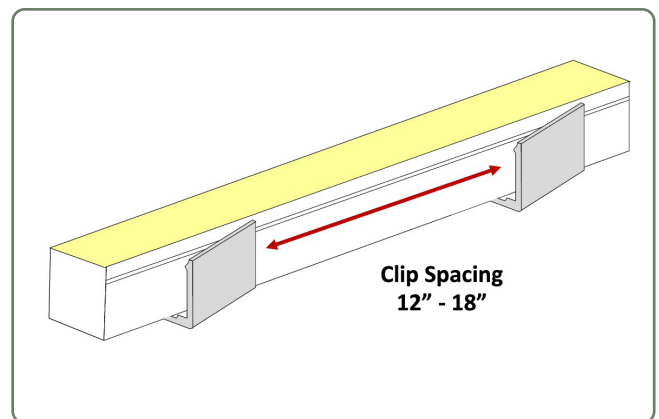
- Using the provided screws, attach the mounting clips to the mounting surface. Clips are provided with one screw each.
- If using your own screws, you will need a minimum size #4 x 5/8" screw to mount the clips.
- It is recommended that clips be mounted every 12" to 18" to support the LED light.
- Gently press the LED light into each clip.
- Follow the connection diagram on page 6 for LED wire connections.

Note: The images below show examples of clip installation. To remove the LED from a clip, gently pull up on the LED at each clip to release it. Avoid bending the LED, as this can damage the light.

Important:

- The LED light should not be installed above or within 20" of the sauna heater.
- Always check the temperature at the intended installation location of the LED light to ensure it does not exceed the maximum operating temperature.

Note: It is recommended to run sauna without LED light installed and check the temperature at the intended installation location to get an accurate temperature reading.



INSTALLATION

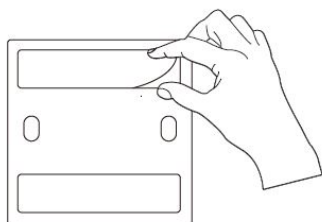
STEP 7. Installing Control:

- Identify the location where the control will be installed. Follow the steps below to mount the control on a wall surface.
- Alternatively, the control may be used as a handheld device instead of being wall mounted.
- The control operates using kinetic energy and does not require batteries. Each time the control is pressed, it generates enough power to transmit a wireless signal to the driver/receiver.

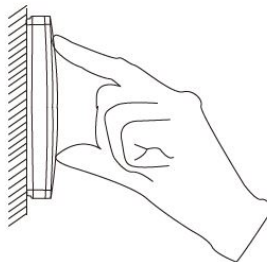
Important Notes:

- If installing the control inside the sauna, it is recommended to mount it near the door and/or on the wall opposite the sauna heater.
- Do not install the control higher than 30" above the finished sauna floor, or in any location where the control's maximum operating temperature may be exceeded.
- Always measure the temperature at the intended installation location before installing the control and ensure it does not exceed the control's maximum rated operating temperature.

Option 1: Wall Mount Using Adhesive



Apply provided double sided adhesive tape.

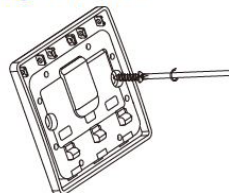


Align control and press onto surface. Hold for a few seconds to ensure tape holds.

Option 2: Wall Mount Using Screws



Carefully open control.



Install on wall using wood screws.

STARTUP & TESTING

Control Operation:

Refer to the image below for control operating instructions. When installing the control, verify that the maximum operating temperature rating of the control is not exceeded.

- Do not install the control within 3 ft of sauna heater.
- Do not install the control higher than 30" above the finished sauna floor.

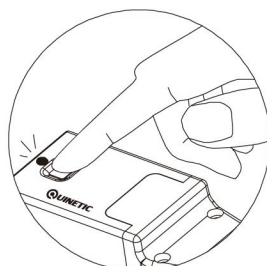


Driver & Control Programming:

Note: The wireless control comes pre-programmed with the driver. Follow the steps below only if programming is needed.

1. Press and hold the button on the driver for 3 seconds to enter programming mode. The indicator light will flash slowly.
2. Quickly press the control switch. The indicator light on the driver will return to rapid flashing, indicating successful pairing.

Note: If you encounter any issues during startup and testing, proceed to the troubleshooting steps.



Press for 3 seconds
to enter program mode

Wi-Fi SETUP



To set up Wi-Fi operation follow the steps below

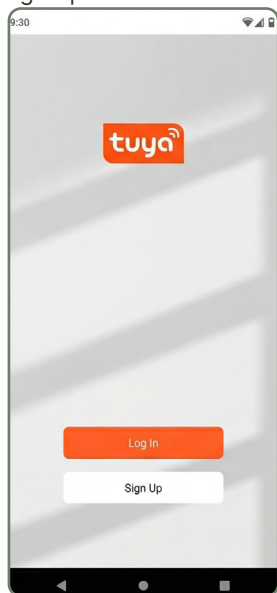
Note: The driver supports the 802.11 b/g/n 2.4 GHz Wi-Fi standard. The Wi-Fi Driver will not connect to a 5GHz network. Installation steps below are for reference and may change or differ between iOS and Android versions.



On iOS or Android download the "Tuya Smart App"

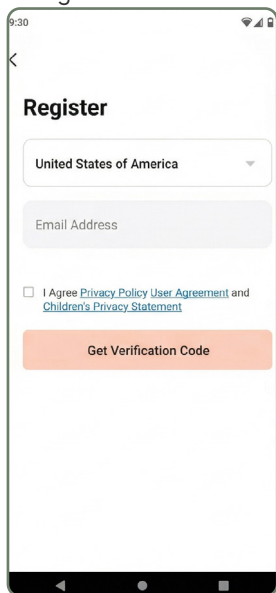
Step 1

Open Tuya app and press Sign Up to create account



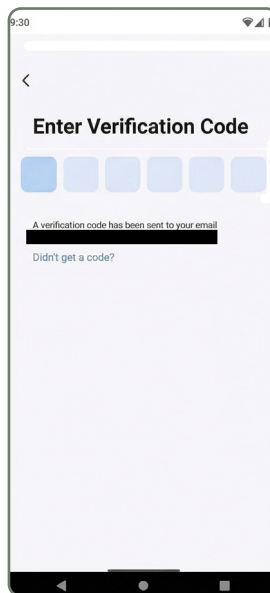
Step 2

Enter an email address to register an account



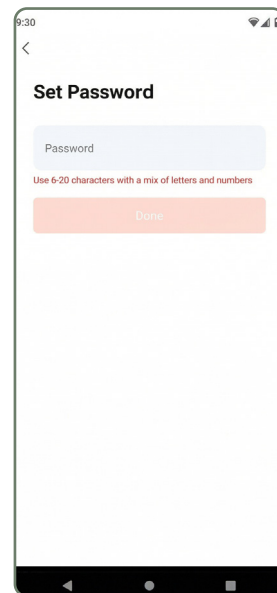
Step 3

Check email and enter verification code



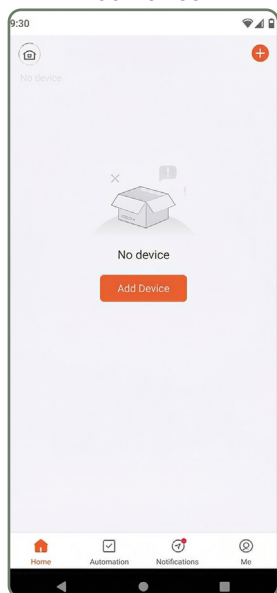
Step 4

Create a password



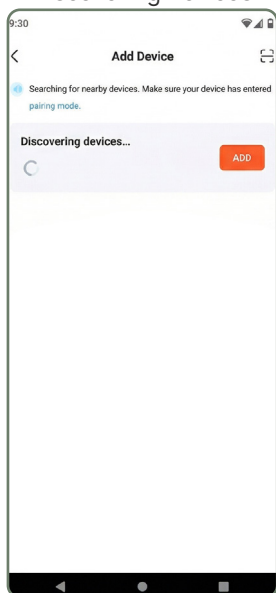
Step 5

At the main screen press "Add Device"



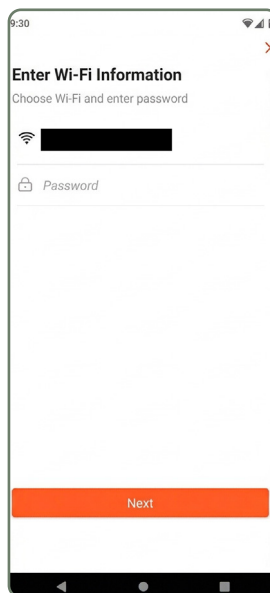
Step 6

Press "Add" next to Discovering Devices

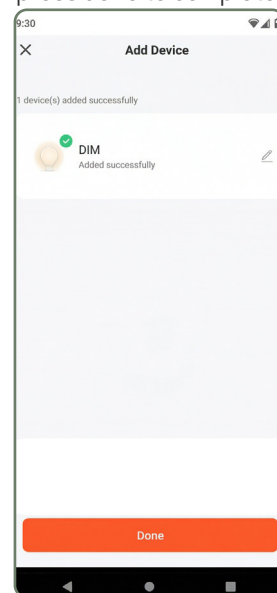


Step 7

Select your Wi-Fi network



Device added successfully, press done to complete.



TROUBLESHOOTING

No Power:

- Verify that the electrical outlet is supplying the proper voltage.
- Check that all power connections are secure and correctly connected:
 - Power supply plugged into the electrical outlet
 - DC plug from the power supply connected to the driver

Power Present, but Lights Do Not Turn On:

- Verify that the pigtail cable from the driver is securely connected and that the wiring is correct.
- Check that the 4-way light cable is securely connected.
- Ensure that all 30' light cables to the lights are fully seated and connected.
- Test each light independently by connecting it directly to the driver.

Note: To test an individual light, disconnect the 4-way light cable and connect a single 30' cable directly to the pigtail lead on the driver, or connect the light directly to the pigtail.

- Verify that control is paired with the Driver, (see page 11).

Lights on, no function from Control:

- Verify that Remote is paired with the Driver, (see page 11).
- Ensure that the distance from the Remote to the Driver is not more than 98 feet. If it is, relocate the Driver closer to the room.

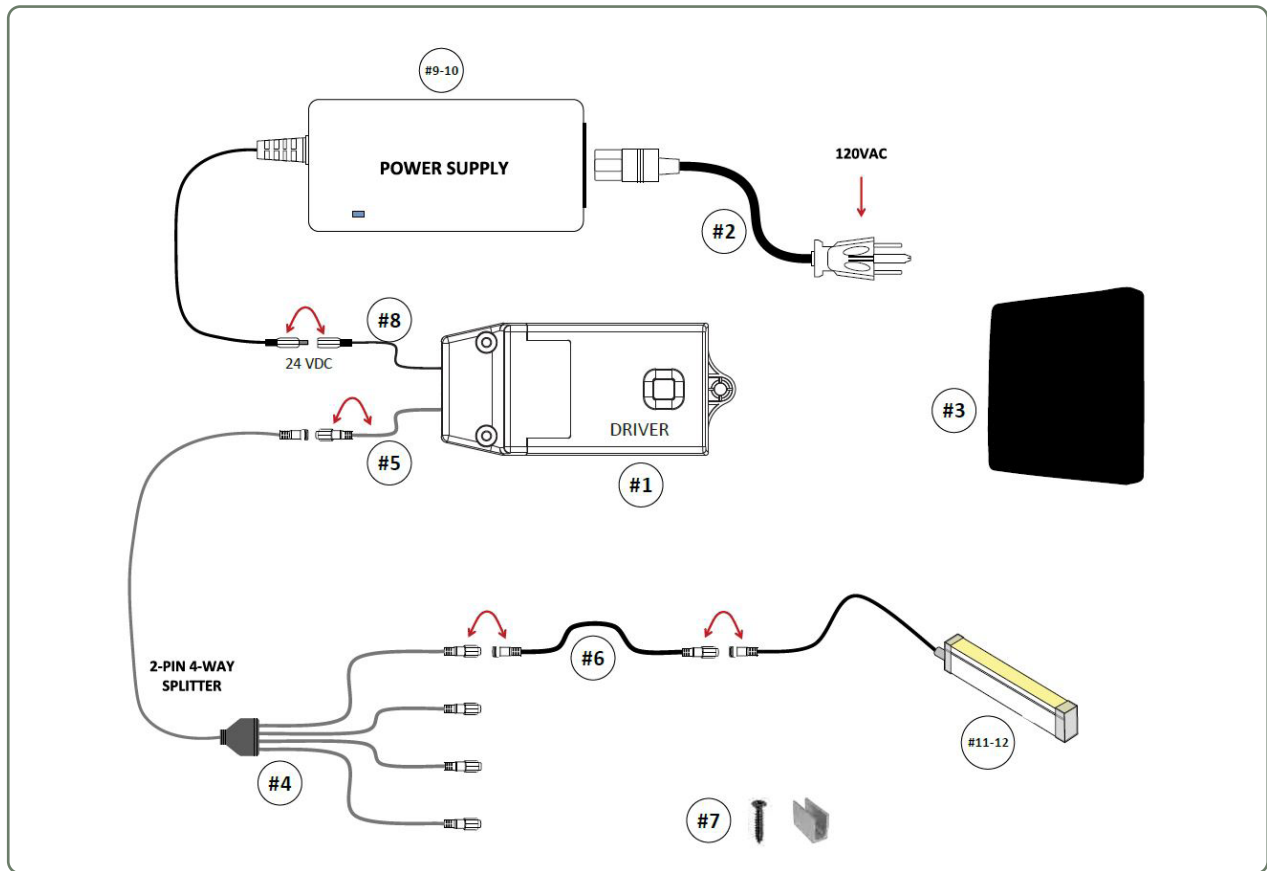
Resetting Driver:

The Driver should not need to be reset under normal conditions. If a reset is needed, follow the steps below.

- Verify power to the Driver
- Press and hold the Match button for 10-15 seconds until the LED indicator goes out.

Note: Resetting Driver will clear any paired remotes and require repairing, (see page 11).

REPLACEMENT PARTS



Description		Part Number	Description		Part Number
#1	RF Driver	BP031198	#9	120W Power Supply	BP031135
#2	AC Power Cord	BP031132	#10	160W Power Supply	BP031145
#3	Control Single-Zone	BP031199	#11	10' White LED Light	BP031172
#4	4-Way IP67 2-PIN Splitter	BP031075	#12	16' White LED Light	BP031173
#5	2-PIN IP67 Pigtail	BP031073			
#6	2-PIN 30ft Cable	BP031077			
#7	LED Light Mounting Clip + Screw	BP031165			
#8	DC Pigtail Cable	BP031143			