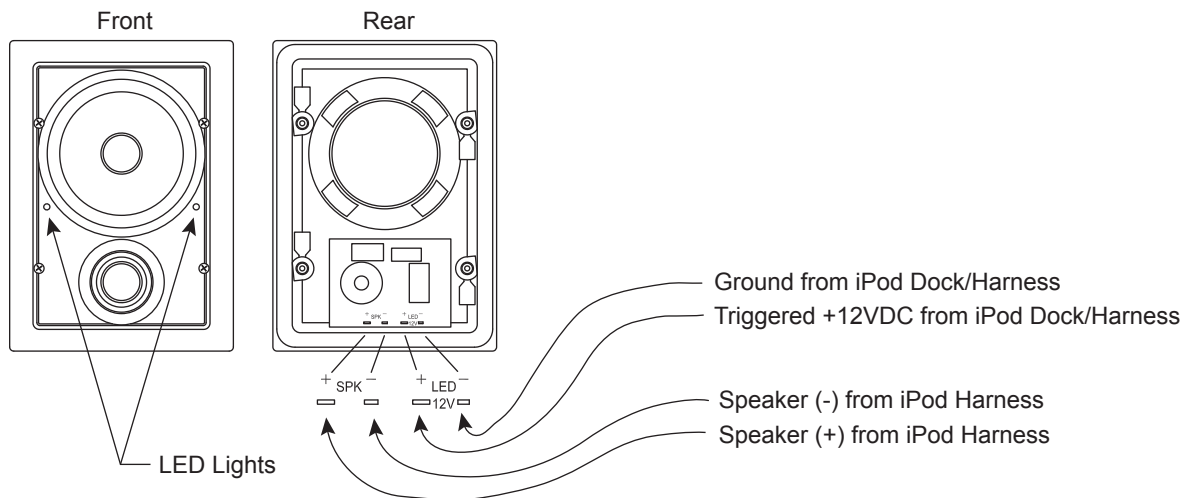


Ratings

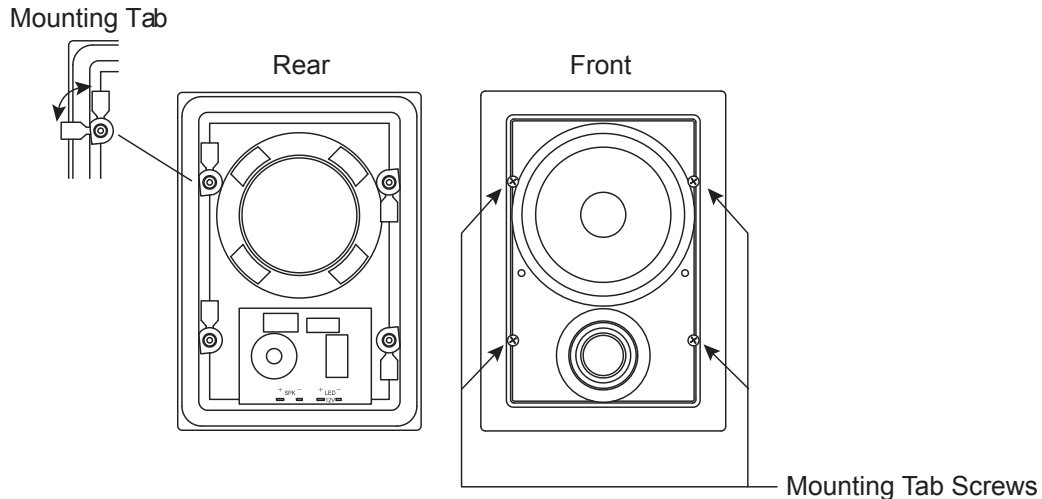
Impedance: 4 Ω
Watts: 90W max
Min. Temperature: 32°F (0°C)

Installation

1. Cut a speaker mounting hole in the mounting surface using template (see pages 3 & 4).
2. Connect the speaker's two SPK terminals to the sound source. Insure that the positive terminal of the speaker (red +) is connected to the positive (+) terminal of the sound source. *This is very important: if the speakers are connected out of phase the sound quality will be affected.*
3. *If using the speaker's LEDs* - Connect the speaker's two LED terminals: connect the positive LED terminal (red +) to a +12VDC control line and the negative (-) LED terminal to ground.



4. Remove the grill then the foam sheet from the speaker frame.
5. Swing the plastic tabs (clamps on back of the speaker) to their most counterclockwise position.



Note: *If mounting the speaker in a wet location, make sure the mounting gasket is in place or add a bead of silicone to seal the speaker to the mounting surface before installing the speaker in its mounting cut-out.*

6. Insert the speaker into the mounting cutout then tighten the four stainless steel screws located in the front panel of the speaker. Tighten until the speaker is firmly secured in place.

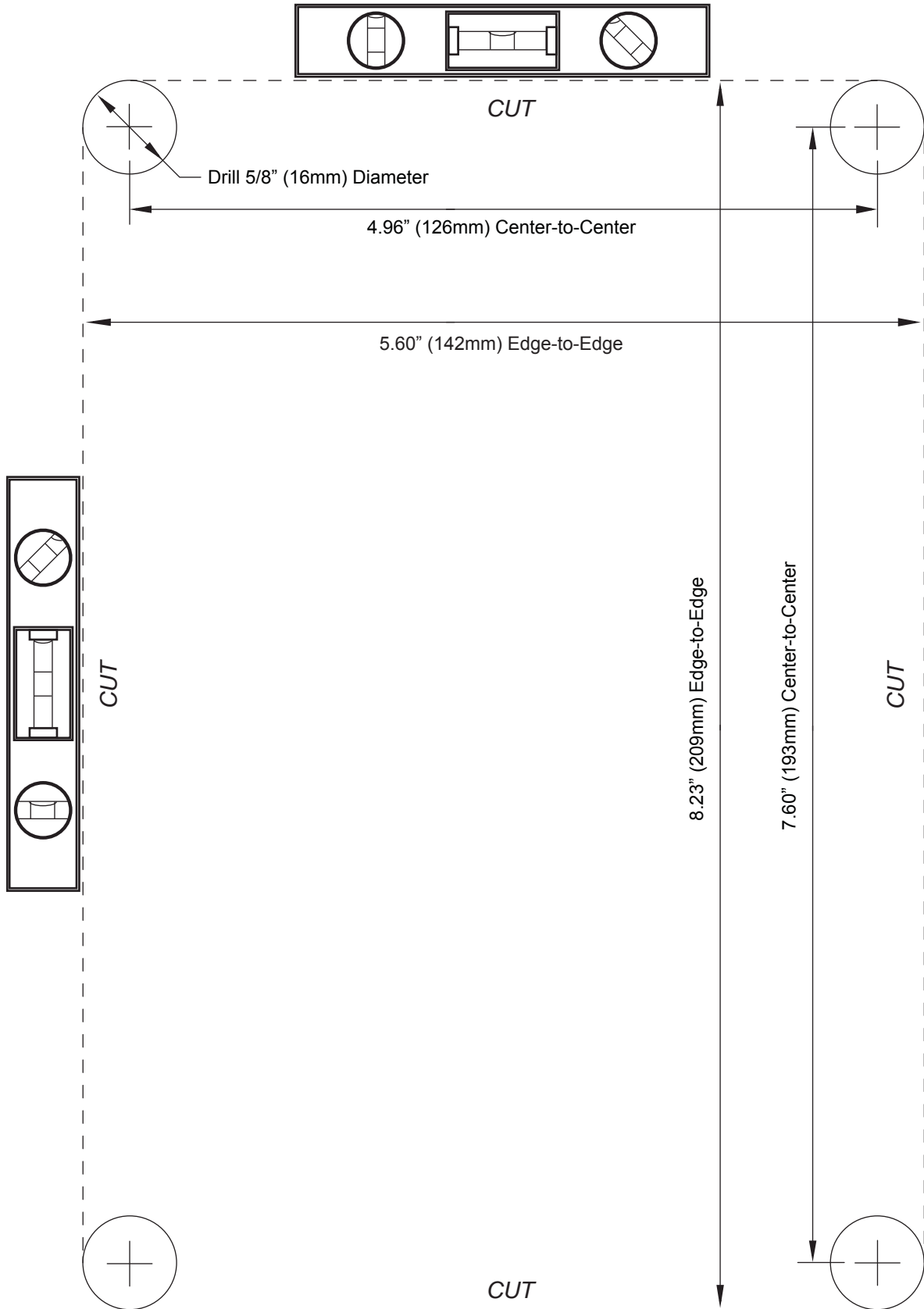
Note: *If the mounting surface is thicker than 3/4" (19mm), the plastic clamps may be trimmed back to accommodate a wall thickness of up to one inch.*

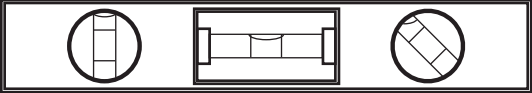
7. Carefully place the foam sheet on the front of the speaker and remount the grill.

For additional assistance contact Amerec Technical Support at 1-800-363-0251.

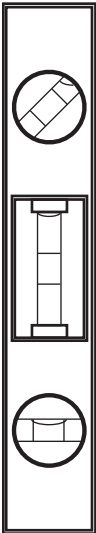
amerec[®]

P.O. Box 2258 Woodinville, WA 98072
800-363-0251 Fax: 425-951-1130
email: address: support@amerec.com





CUT



CUT

CUT

CUT