

Adena MTI-76

59.5" x 35.25" x 19.5"

GENERAL SPECIFICATIONS:

Tub Size	59.5" x 35.25" x 19.5"
Bathing Well	length: 51.5" top / 40" bottom width: 27" top / 25" bottom depth at overflow: 15.5"
Plumbed Weight	94 lbs / 42.64 kg
Soaker Weight	70 lbs / 31.75 kg
Maximum Fill	71 gal to overflow
Undermountable	Yes (with no Aromatherapy)

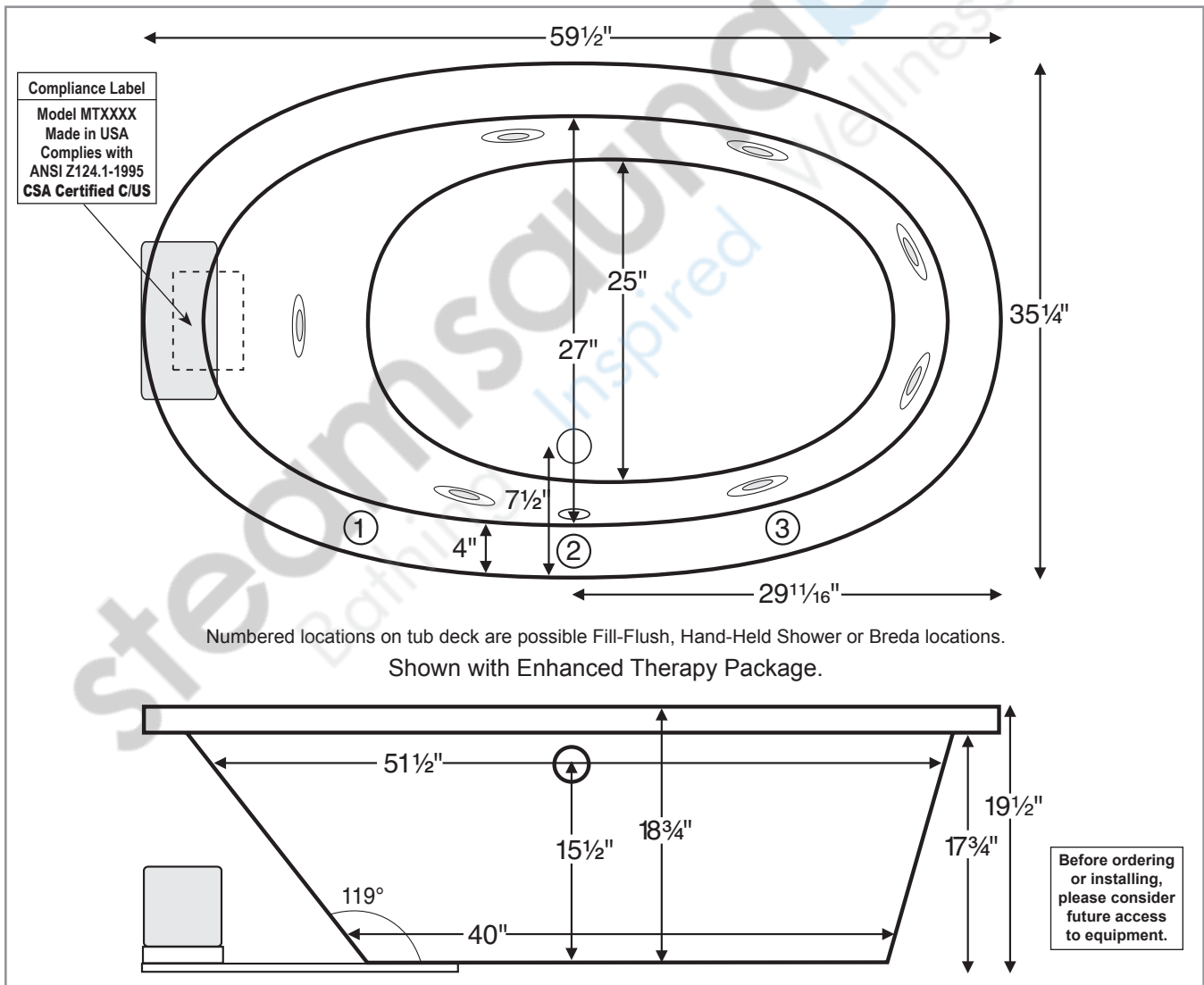
NOTE: Not recommended as a tub / shower combination

ELECTRICAL SPECIFICATIONS:

Required Electrical Service	110 Volt
Air Bath or Standard Whirlpool	1-15 amp GFCI
Enhanced Whirlpool	1-20 amp GFCI
Standard Whirlpool w/Air	2-15 amp GFCI
Enhanced Whirlpool w/Air	2-20 amp GFCI

CSA Certified C/US; NAHB Certified; ANSI Z124.1 for plastic tubs and ANSI 112.19.7 for whirlpool components.

NOTE: See electrical specifications page for electrical requirements of options.



INSTALLATION: Add 1"-3" to height of tub for bedding compound. MTI recommends Quickrete Sand Mix. **Air Baths add approximately 2"-3" to height of tub.** Please measure tub before building tub decking. Suction and control locations may vary. Drawing shows best pump location. Alternate locations available—call MTI for details. Measurements are $\pm 1/2"$ and are subject to change without notice. Data herein supersedes all previous prior to publication date shown below. Tubs with more than one pump or blower will require additional service access.

