

Banera del Sol MTDS-42

83.5" x 54" x 23.75"

GENERAL SPECIFICATIONS:

Tub Size	83.5" x 54" x 23.75"
Bathing Well	length: 70" top / bottom varies width: 45.25" top / 40.5" bottom depth at overflow: 20"
Plumbed Weight	300 lbs / 136.20 kg
Soaker Weight	200 lbs / 90.80 kg
Average Fill	69 gal to above jet level
Maximum Fill	195 gal to overflow
Undermountable	No

NOTE: Filling this tub to the maximum may require an above average size or dedicated water heater.

ELECTRICAL SPECIFICATIONS:

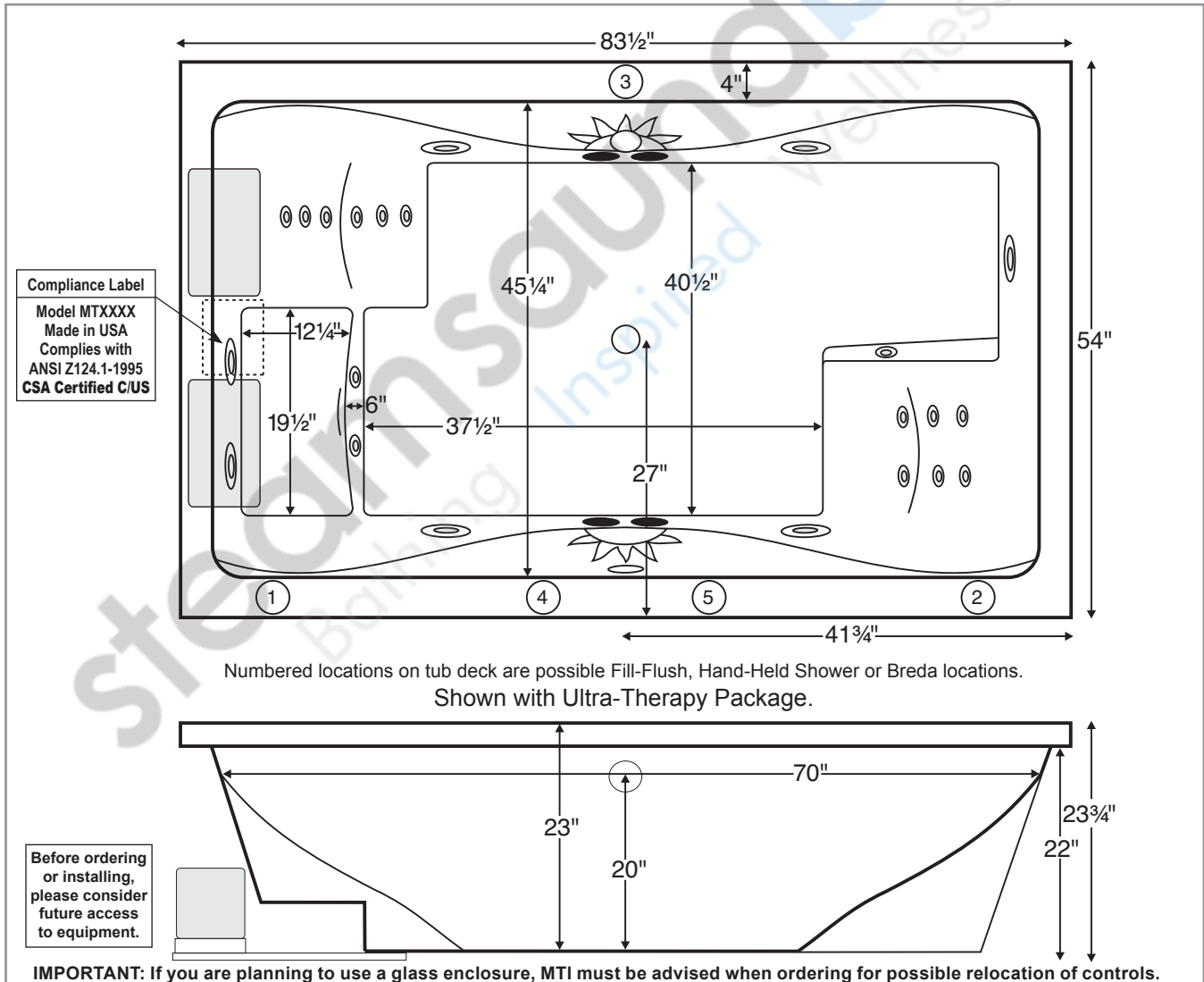
Required Electrical Service	110 Volt
Air Bath	1-15 amp GFCI
Standard Whirlpool	1-15 & 1-20 amp GFCI
Standard Whirlpool w/Air	2-20 amp GFCI
Ultra-Therapy	2-20 amp GFCI
Ultra-Therapy w/Air	2-20 amp GFCI

CSA Certified C/US; NAHB Certified; ANSI Z124.1 for plastic tubs and ANSI 112.19.7 for whirlpool components.

NOTE: See electrical specifications page for electrical requirements of options.



Shown with Standard Therapy Package.



INSTALLATION: Add 1"-3" to height of tub for bedding compound. MTI recommends Quickrete Sand Mix. Air Baths add approximately 2"-3" to height of tub. Please measure tub before building tub decking. Suction and control locations may vary. Drawing shows best pump location. Alternate locations available—call MTI for details. Measurements are ± 1/2" and are subject to change without notice. Data herein supersedes all previous prior to publication date shown below. Tubs with more than one pump or blower will require additional service access.

