

Long Island MTDS-111

71.875" x 36" x 21.25"

GENERAL SPECIFICATIONS:

Tub Size	71.875" x 36" x 21.25"
Bathing Well	length: 60" top / 46.5" bottom width: 27.75" top / 26.5" bottom depth at overflow: 18"
Plumbed Weight	133 lbs / 60.33 kg
Soaker Weight	110 lbs / 49.90 kg
Average Fill	61 gal to above jet level
Maximum Fill	102 gal to overflow
Undermountable	Yes (with no Aromatherapy)

NOTE: Filling this tub to the maximum may require an above average size or dedicated water heater.

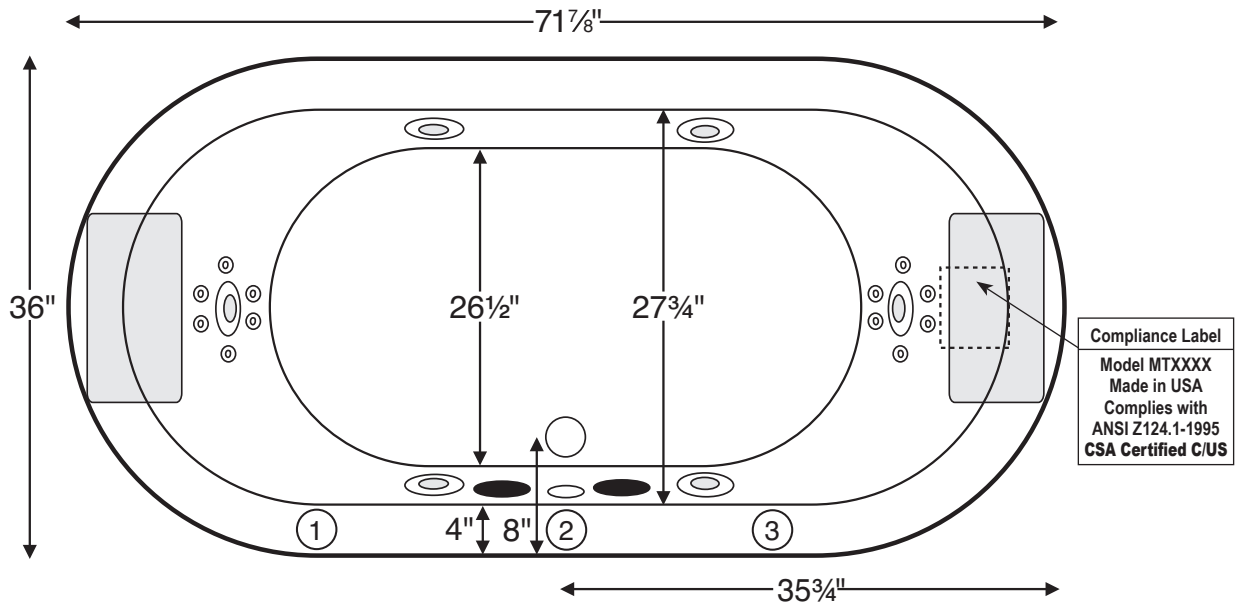
NOTE: Not recommended as a tub / shower combination.

ELECTRICAL SPECIFICATIONS:

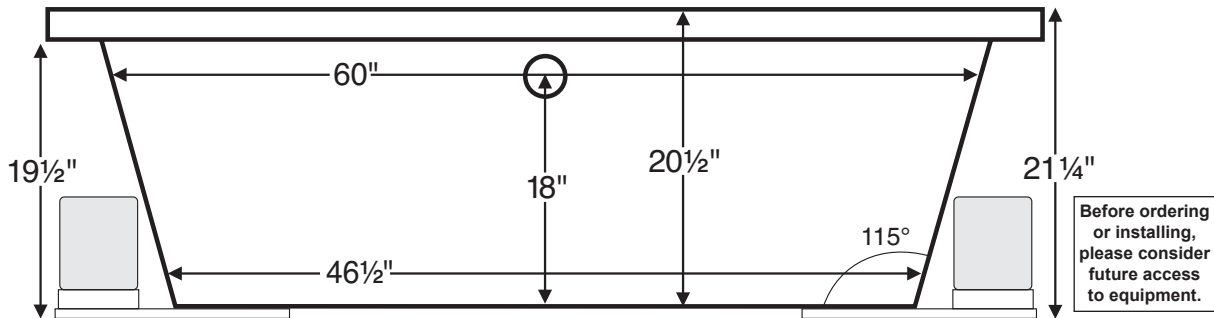
Required Electrical Service	110 Volt
Air Bath or Standard Whirlpool	1-15 amp GFCI
Standard Whirlpool w/Air	2-15 amp GFCI
Ultra-Therapy	2-20 amp GFCI
Ultra-Therapy w/Air	2-20 amp GFCI

CSA Certified C/US; NAHB Certified; ANSI Z124.1 for plastic tubs and ANSI 112.19.7 for whirlpool components.

NOTE: See electrical specifications page for electrical requirements of options.



Numbered locations on tub deck are possible Fill-Flush, Hand-Held Shower or Breda locations.
If location 2 is chosen for Fill-Flush, the detergent feeder will need to be offset to the left or the right.
Shown with Ultra-Therapy Package.



INSTALLATION: Add 1"-3" to height of tub for bedding compound. MTI recommends Quickrete Sand Mix. **Air Baths add approximately 2"-3" to height of tub.** Please measure tub before building tub decking. Suction and control locations may vary. Drawing shows best pump location. Alternate locations available—call MTI for details. Measurements are $\pm 1/2"$ and are subject to change without notice. Data herein supersedes all previous prior to publication date shown below. Tubs with more than one pump or blower will require additional service access.