

Yume MTDS-134

52" x 52" x 35.5"

GENERAL SPECIFICATIONS:

Tub Size	52" x 52" x 35.5"
Bathing Well	length: 45" top / 26" bottom width: 45" top / 34" bottom depth at overflow: 30"
Soaker Weight	135 lbs / 61.23 kg
Maximum Fill	160 gal to overflow
Undermountable	No

NOTE: Filling this tub to the maximum may require an above average size or dedicated water heater.
NOTE: Not recommended as a tub / shower combination.

ELECTRICAL SPECIFICATIONS:

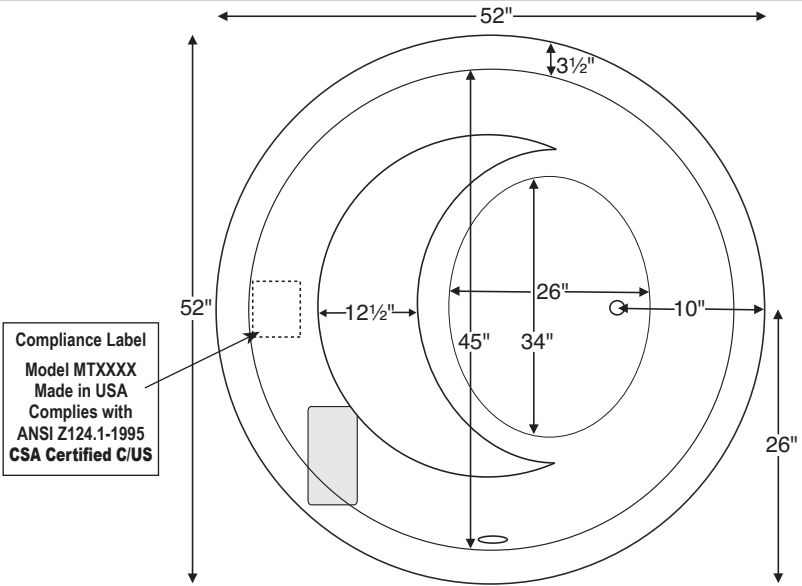
Required Electrical Service	110 Volt
Air Bath	1-15 amp GFCI

CSA Certified C/US; NAHB Certified; ANSI Z124.1 for plastic tubs and ANSI 112.19.7 for whirlpool components.

NOTE: See electrical specifications page for electrical requirements of options.



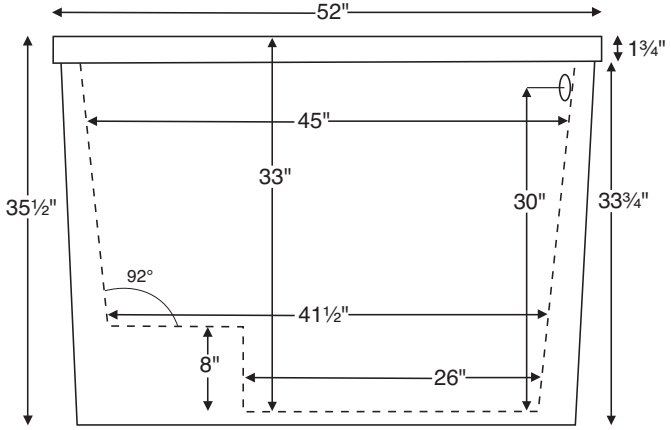
Freestanding Tub



Compliance Label
Model MTXXXX
Made in USA
Complies with
ANSI Z124.1-1995
CSA Certified C/US

IMPORTANT:
Must have access to the drain from underneath the tub for installation and servicing.

All MTI freestanding tubs use wall-mounted or freestanding faucets. The waste and overflow assembly is concealed between the walls of the tub, eliminating the need for a decorative exposed drain kit.



Before ordering or installing, please consider future access to equipment.

INSTALLATION: MUST HAVE ACCESS TO THE DRAIN FROM UNDERNEATH THE TUB FOR INSTALLATION AND SERVICING.
Measurements are ± 1/2" and are subject to change without notice. Data herein supersedes all previous prior to publication date shown below.
Tubs with more than one pump or blower will require additional service access.

